



MAKSIWA®

BMD.3200.IR

Diamond Panel Saw - 10 HP - 1 Phase

INSTRUCTION MANUAL



ATTENTION: READ THIS MANUAL BEFORE USING THE MACHINE.

Greetings,

Congratulations, you just purchased the BMD.3200.IR Maksiwa Panel Saw, which was developed with the Maksiwa's highest standards of technology and quality. Your BMD.3200.IR Maksiwa Panel Saw allows you to have the highest productivity in woodworking. It should be noted that to use this machine with maximum efficiency, you should read and understand the instructions in this manual.

Visit our website to know about our launches and other product lines and Technical Assistance:

www.maksiwa.com/usa

tech@maksiwa.com



Attention!: The machine must be inspected immediately upon arrival. If the machine has been damaged during transport, or if any parts are missing, a written record of the problems must be submitted to the forwarding agent and a damage report compiled. Also be sure to notify your supplier immediately.



For the safety of all personnel, it is necessary to study this manual thoroughly before assembly and operation. This manual must be kept in good condition and should be considered as part of the machine. Furthermore, the manual must be kept to hand and within the vicinity of the machine so that it is accessible to operators when using, maintaining or repairing the machine.



Maksiwa International Inc.
909 S Rogers Circle suite 11
Boca raton, FL 33487

Call us free: 844-319-6594

tech@maksiwa.com
www.maksiwa.com/usa

Table of Content

1	General Information	2
2	Safety Precautions	2
3	Machine Information	6
3.1	Specification	6
3.2	Machine structure	7
4	Installation	8
4.1	Assembling Sliding Table	8
4.2	Assembling Crosscut Frame & Crosscut fence	9
4.3	Assembling Extension Table	11
4.4	Assembling Motorized Rip Fence	12
4.5	Assembling Saw Blade Guard	13
4.6	Assembling Saw Blade and Riving Knife	17
4.7	Assembling Edge Shoe and Hold Down	19
4.8	Assembling Dust Collection	19
5	Machine Operation	20
5.1	Wiring and Test Run	20
5.2	Touch Screen Panel	21
5.3	Rip fence Operation and Adjustment for A405A3/NC	21
5.4	Crosscut Fence Operation and Adjustment	24
5.5	Motor Speed and Belt Change	27
5.6	Saw Blade Adjustment	27
6	Wiring Diagram	29
7	Exploded View	33

1 General Information

For any problems regarding this machine, please contact the local agent or service department.

Kindly provide the following information:

- Machine model number
- Serial number
- Purchase date
- Approximate number of working hours

Effect only adjustments and maintenance operations on machine as indicated in this manual.

Machine Performances

The panel saw has 3200mm sliding table.

With unique outlook and complete cast iron bracket, enlarged outrigger, carriage, and direct dust collection outlet.

Perfectly designed for well-ripped solid wood, chipboard, fiberboard, plywood and similar materials.

Location of machine

The saw blade made in accordance with EN847-1: 1997 shall be used on the machine. Generally speaking, this machine will be installed as the following conditions:

- Supply voltage: 0.9 - 1.1 normal supply voltage
- Source frequency: 0.99 - 1.01 normal frequency
- Ambient temperature: 5°C - 40°C.
- Relative humidity: not exceed 50% at 40°C.
- Atmosphere: Free from excessive dust, acid fume, corrosive gases and salt.
- Avoid exposing to direct sunlight or heat rays which can change the environmental temp.
- Avoid exposing to abnormal vibration.

This machine was designed for certain applications only. We strongly recommend that this machine can **NOT** be modified and/or used for any application which for other than its design. If you have any question related to its application, **DO NOT** use the machine until you have detail instructions from your dealer.

2 Safety Precautions

- Read instruction manual before operating the machine for your safety.

People who operate the machine must read and understand how to use the safety measures, and execute the regulation stated in this manual. Learn the application and limitations of the machine

- Ground all machines.

It should make sure the "PE" terminal being connected before operating the machine.

- Keep guards in place and working area clean.

- Do not use in dangerous environment.

1. Don't use machines in damp or wet locations, or expose them to rain.
 2. Please provide a suitable illumination around the machine for safety operation.
- **Keep children and visitors away**

All children and visitors should be kept in a safe distance from working area.
 - **Store idle tools (cutting spindle)**

When not in usage, tools should be stored in a dry, high or locked up place, and out of reach for children.
 - **Wear proper apparel**
 1. No loose clothing, glove, neckties, rings, bracelets, or other jewelry which may be gotten caught in moving parts. Wear protective hair covering to contain long hair.
 2. Please wear glove to take/ replace saw blade and wear eye-shield/ ear-shield to operation.
 - **Stay alert.**

Watch what you are doing. Do not operate machine when you are tired.
 - **Don't force machines.**

It will do the job better and be safer at the rate for which it was designed.
 - **SHUT OFF** the power.

Remove the products and isolated energy before leaving the machine. Shut off the power and carried out only when the machine is stationary before inspection, maintenance, adjustment and cleaning.
 - **No smoking!!** Do NOT smoke while operating machine.
 - **Have your machine repaired by a qualified person**

Repairs should be carried out by qualified person and use original spare parts. Otherwise this may result in considerable danger to the users.
 - **Check any damaged parts.**

Before using the machine further, the guard or other damaged part should first be carefully checked to see if it is able to operate properly and perform its intended function. Check the alignment of moving parts, binding of moving parts, breakage of parts, mounting, and any other conditions that may affect its operation. A guard or other part that is damaged should be properly repaired or replaced.
 - **Disposing of wasted material**

Disposing waste material and waste lubricating oil shall obey the local regulation and be careful.
 - **Fire extinguisher**

The user must exercise caution when using the fire extinguisher or other devices in accordance with local safety regulations.
 - **Stand on proper position for operation.**

Please stand in front of the machine for operation.
 - **Use recommended ancillary equipment.**
 1. Consult the instruction manual for drawing for recommended accessories. The use of improper accessories may cause injury to people. If ancillary equipment is removed, the original guards or safety devices must be replaced.

-
2. Our authorized agency is responsible for a future connection of the machine with ancillary equipment only if we ourselves have designed such connection.
- **Reduce the risk of unintentional starting.**
Make sure switches of control panel are OFF position before operating.
 - **Never leave machine running unattended.** Turn the power off from the handheld disconnecting device.
Do not leave the machine until it comes to a complete stop.
 - **Make sure machine is disconnected from power supply.**
Make sure machine is disconnected from power supply before starting the normal maintenance and service, adjustment, or repair.
 - **Reaction with emergency situation.**
This machine provides two emergency buttons. One is a self-latching pushbutton on the control panel of the access position. Other emergency buttons are located on the front side of the machine near the in-feed working area. The emergency button has a red and yellow background. After the emergency stop, follow the normal start up procedure and any suitable operations to eliminate the hazards. Please see the following pages for an emergency stop position diagram.
 - Never open the protective cover or the machine door while the machine is running.
 - When the machine is out of order while running, shut it down and call servicemen for help as soon as possible.
 - Remove adjusting keys and wrenches before turning the machine on. Be sure that the keys and adjusting wrenches have been removed and all the nuts and bolts are secured.
 - After switching off the saw motor, allow the saw blade to stop freely. Never attempt to stop the cutting with your hand or other objects.
 - Never cut the wood plate if there is no completed width or it is too small.
 - The maximum rotation speed marked on the saw blade must not be exceeded.
 - The machine shall not be loaded with more than one work piece at a time.
 - During the making of wooden cases, it will emit harmful dust. The user must install an exhaust system for the extraction of harmful dust.
 - Use properly sharpened saw blades. Observe the maximum speed marked on the saw blade. The user must choose the best speed for the saw blade.
 - Report faults on the machine, including guards or saw blades, as soon as they are discovered.
 - Adopt safe procedures for cleaning, maintenance, and removing chips and dust regularly to avoid the risk of fire.
 - Ensure that any spacers and spindle rings used are suitable for the purpose stated by the manufacturer.
 - Refrain from removing any off-cut or other part of the work piece from the cutting area while the machine is running.
 - Ensure that guards and other safety devices necessary for machine operation are in position, in good working order and properly maintained.
 - **Safety working practice**

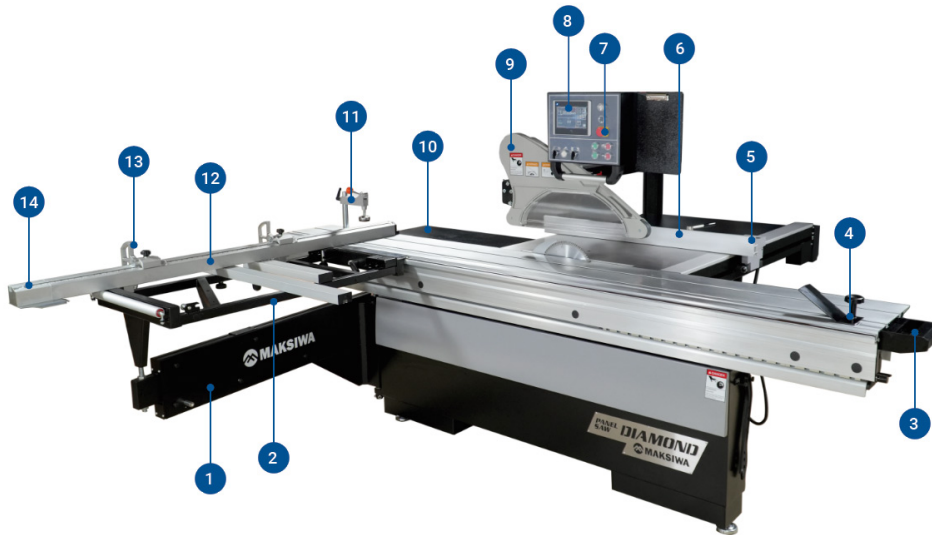
-
1. **Use of a push block and a push stick:** A push stick should be used to avoid working with hands close to the saw blade. Push blocks should be between 300mm and 400mm long, 80mm to 100mm wide and 15mm to 20mm high. Push blocks should be used when cutting small work pieces and in circumstances where it is necessary to push the work piece against the fence.
 2. **Selection of saw blade and riving knife:** The operator should only select saw blades with suitable diameter and thickness for the machine.
 3. **Selection of riving knife slot:** The riving knife guiding slot should be no more than 0.5mm wider than the riving knife guiding elements.
 4. **Lighting:** It is important to provide adequate lighting around the machine.
 5. Guide the work piece along the rip fence and through the rotation saw blade, using the push stick if necessary. If there is any damage, please replace it with a new one that meets the specifications listed below.
 6. Do not operate this machine while tired or under the influence of drugs, alcohol, or any medication.
- **The dust generated by certain wood products can be injurious to your health.**
Always operate machinery in well-ventilated areas, and provide for proper dust removal.
Use wood dust collection systems whenever possible.
 - **Any other maintenance is welcome. Please contact the manufacturer or our distributor.**

3 Machine Information

3.1 Specification

Model	3200mm
Main Motor	10 HP 7.3 kw
Main Blade Speed	3,000/4,000/5,000 RPM
Max Blade Diameter	14" 355mm
Main Blade Arbor	1-3/16 " 30mm
Main Blade Max cutting Height at 90°	4" 101mm
Main Blade Cutting Height at 45°	2-3/4" 70mm
Scoring Motor	1 HP / 8000 RPM .75 kw
Scoring Motor Blade	4 3/4" 120mm
Scoring Blade Arbor	3/4" 20mm
Scoring Blade Type	Conical
Max Ripping Capacity	51" 1300mm
Crosscut Capacity	126 " 3200mm
Crosscut Fence Capacity Closed/Open	78"/120" 1981/3048 mm
Machine Working Dimensions (LxWxH)	132"x137"x75" 3352x3479x1905mm
Cast Iron Table Dimension	35"x 21"x 34" 896x548x864mm
Sliding Table Dimension	126" x 14" 3200x358mm
Dust Collection Port (2)	4" 100mm
Minimum Dust Collection Requirements	1000 CFM 28M/min
Electrical Specs	3 Phase 220V 40 Amps 60 Hz
Extension Table (rear)	952x896mm
Extension Table (front)	830 x 320 mm
Main Body Crate Dimensions (LxWxH)	83" x 45" x 45" 2108 x 1143 x1143mm
Main Body Crate Weight	1470 Lbs 667 kg
Sliding Table Crate Dimensions (LxWxH)	133" x 18" x 15" 3378 x 457 x 381 mm
Sliding Table Crate Weight	274 Lbs 124 kg
Rip Fence Crate Dimensions (LxWxH)	73" x 11" x 15" 1854 x 280 x 381 MM
Rip Fence Crate Weight	121 Lbs 55 kg

3.2 Machine structure




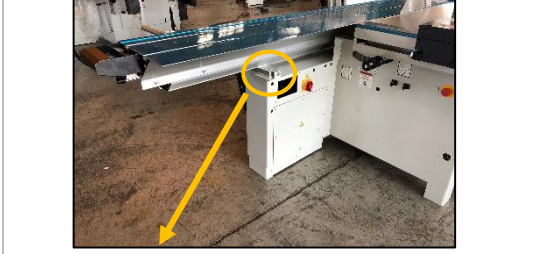
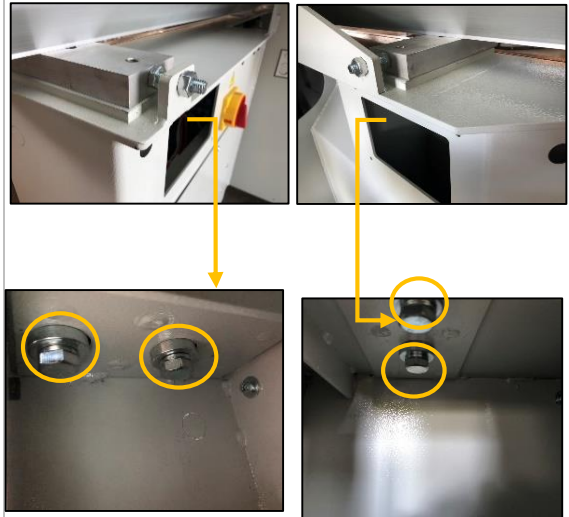
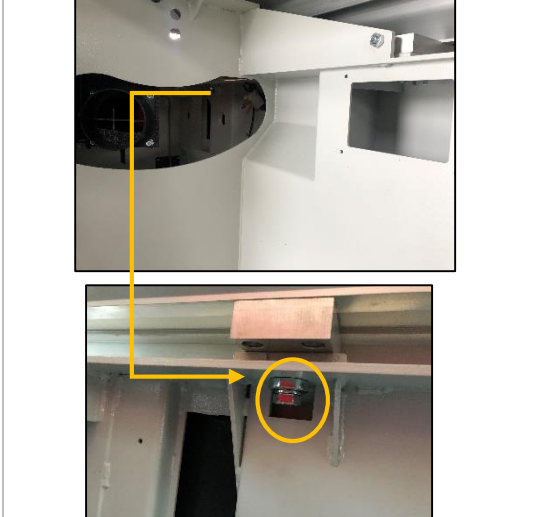
1.	Mobile Arm	9.	Dual Blade Protector Cover
2.	Mobile Table Support	10.	Side Extension Table
3.	Main Table Lock	11.	Wood Clamp
4.	Wood Stopper	12.	Cross cut fence / Measuring Tape
5.	Motorized rip fence	13.	Flip Stopper
6.	Rip Fence Locker	14.	Crosscut Fence Extensions
7.	Emergency Buttons		
8.	Touch Screen Panel		

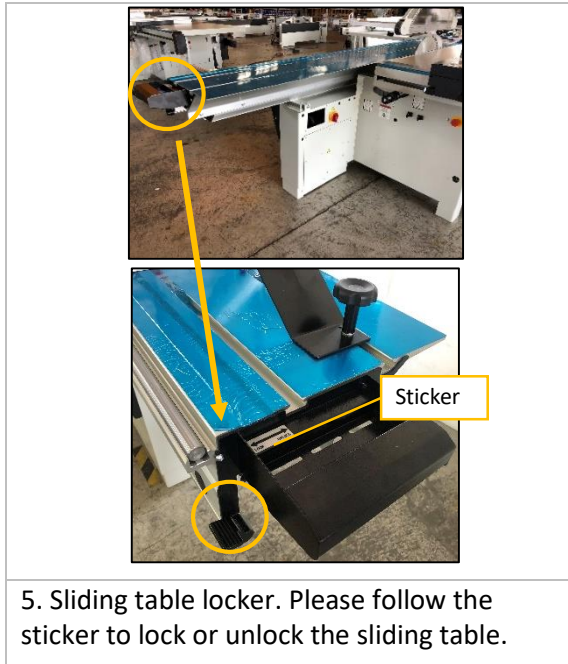
4 Installation

4.1 Assembling Sliding Table

Sliding Table is detached from the machine and needed to be assembled before using. Please following the steps to assembled it successfully.

※Please put the sliding table on the machine frame before started to assemble it※

	
<p>1. Loosen the screws on each side of the machine.</p>	<p>2. Position the fix blocks on the set points of each side.</p>
	
<p>3. Lock the fix screws (2 sets on each side) on each sides to fix the sliding table on the machine frame.</p>	<p>4. Lock the fix screw in the middle of the machine frame showed as photo</p>

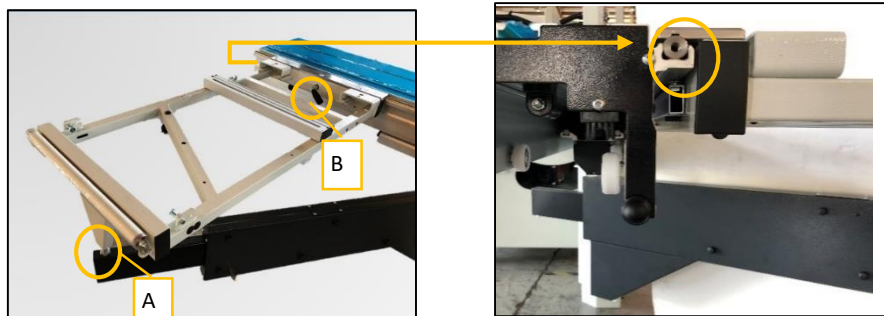


4.2 Assembling Crosscut Frame & Crosscut fence

The Crosscut Frame and Crosscut Fence are detached from the machine and need to be assembled before use. Please follow the steps to assemble it successfully.

4.2.1 Assembling Crosscut Frame

1. Insert the crosscut frame into screw A on the swing arm.
2. Make sure the groove of the underside of the sliding table is along with the round rod.
3. Tighten handle B.



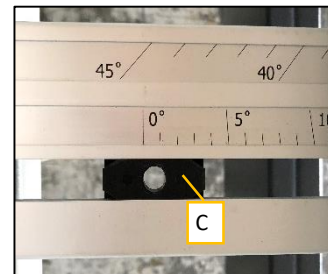
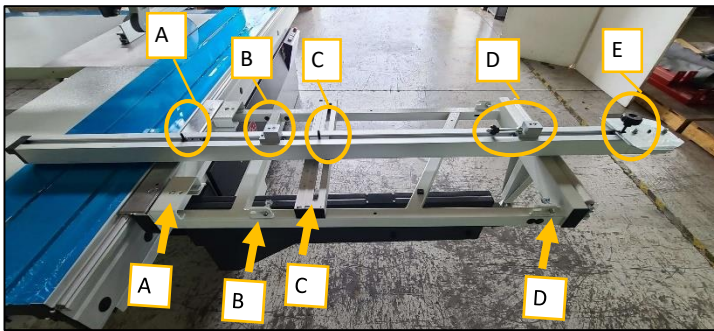
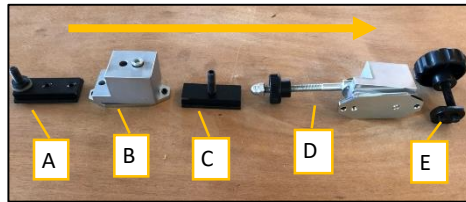
4.2.2 Assembling Crosscut Fence

1. Take off the pad at the end of the Crosscut Fence first. The pad is for part E.

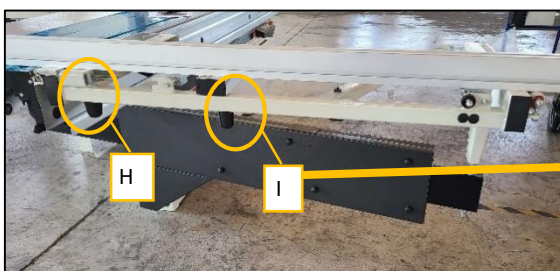


2. Slide 5 sets of square pads under the parts A to E by follow the arrow direction into the groove at the bottom.

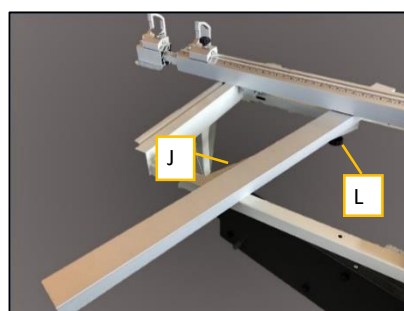
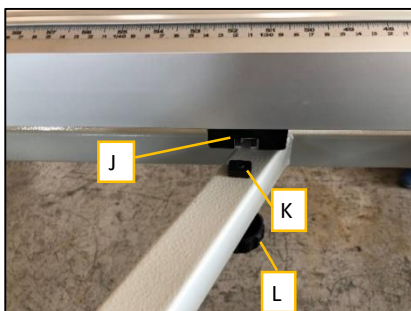
3. Turn the Crosscut Fence to match the arrows on the crosscut frame.
4. Tighten the screws for the parts in their position:
 - A. Insert the screws into the hole on the arrow A
 - B. Insert the screws into the hole on the arrow B
 - C. Put the block under the part C which is under the aluminum ruler, before fix the part C.
 - D. Insert the screws into the hole on the arrow D.
 - E. Insert part E to original position.



5. Tighten knob F to make crosscut fence and saw blade exactly vertical.
6. Lock knob H and I to fix the crosscut fence.

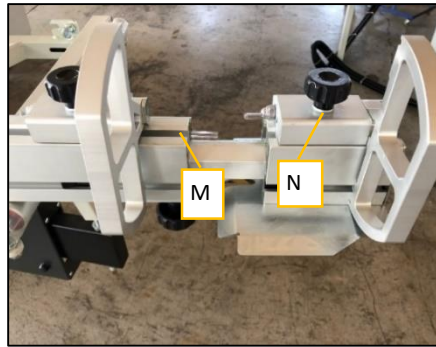


7. Fit the square pipe J to T-nut K, and tighten Knob L for fixing the pipe on the crosscut frame.



4.2.3 Assembling Flip Stop

- Slide the flip stop unit into groove M. Then tight Knob N to fix.

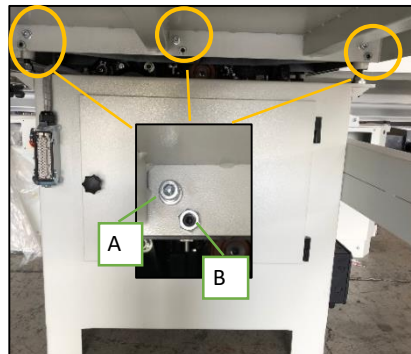
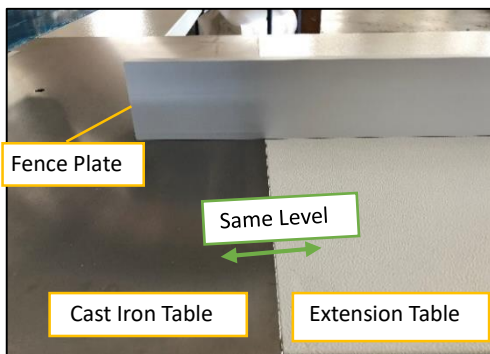


4.3 Assembling Extension Table

✂The extension table must be the same level as the cast iron table. If the extension table is lower, the gap must be less than 0.2mm for smooth operation✂

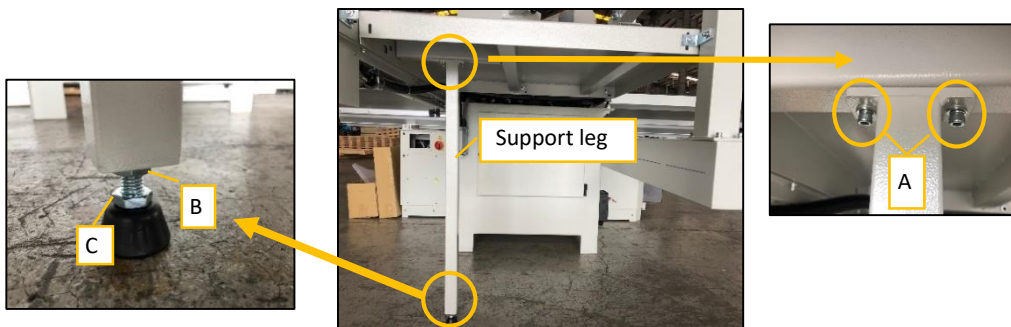
4.3.1 Assemble Extension Table

1. Keep the extension table close with cast iron table. Please check with the fence plate to make sure they are in the same level.
2. Tighten three screw A.
3. Adjust the extension table and the sliding table are in the same level by screws B.



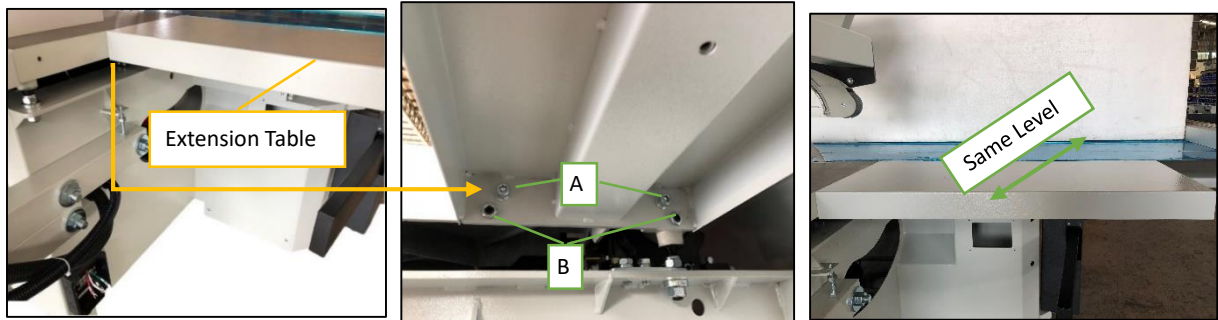
4.3.2 Assembling the Support leg for Extension Table

1. Tighten the screws A.
2. Adjust height with nut C and Fix the support leg with nut B.



4.3.3 Assembling Extension Table (Left Side)

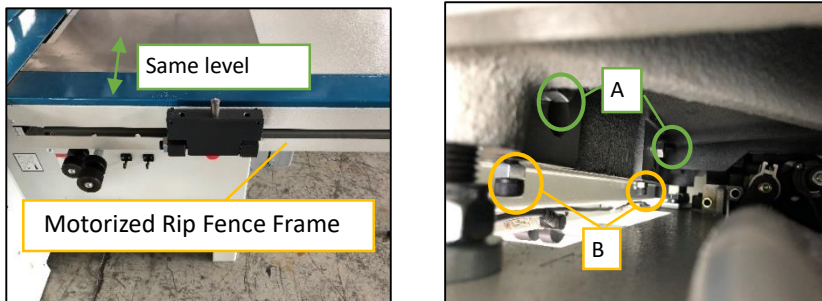
1. Keep the extension table close with cast iron table. Please check with the fence plate to make sure they are in the same level.
2. Tighten two screws A.
3. Adjust the extension table and the sliding table are in the same level with screws B.



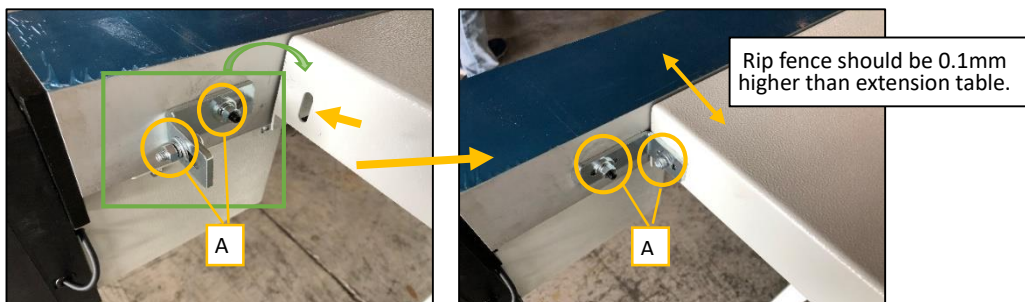
4.4 Assembling Motorized Rip Fence

※The motorized rip fence frame should as same level as the cast iron table. And should be 0.1mm higher than the extension table for smooth operation※

1. Keep the motorized rip fence frame close with cast iron table. Please make sure they are in the same height.
2. Adjust the height with screw B. Tighten A (including nuts, washers, spring washers) to fix the motorized rip fence frame with the machine frame.

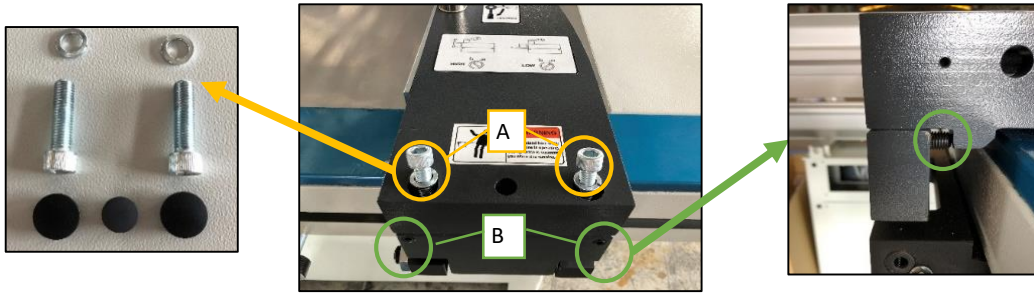


3. Turn the L anchor plate to match the hole and tighten the nut and washer.

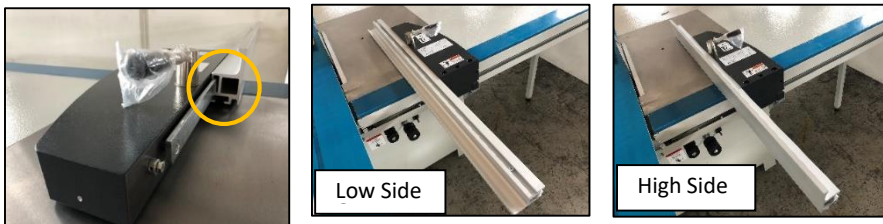


4. Put on the rip fence and tighten the screws and spring washer in the hole.

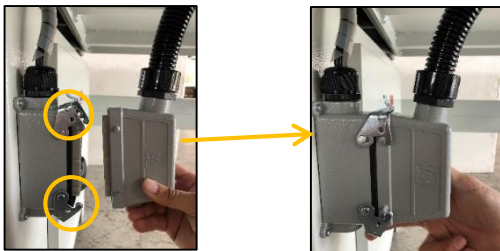
- Adjust the set screws B close to the rip fence.



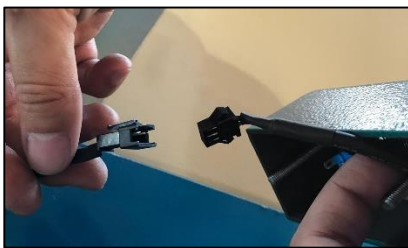
- Insert the aluminum ruler in to the rip fence with Low and High side.



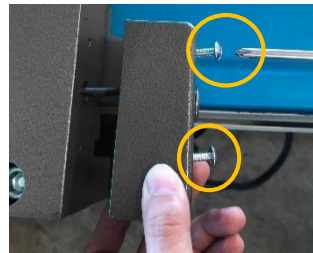
- Insert the connector.



- Connect the break (For A405E/NC only)



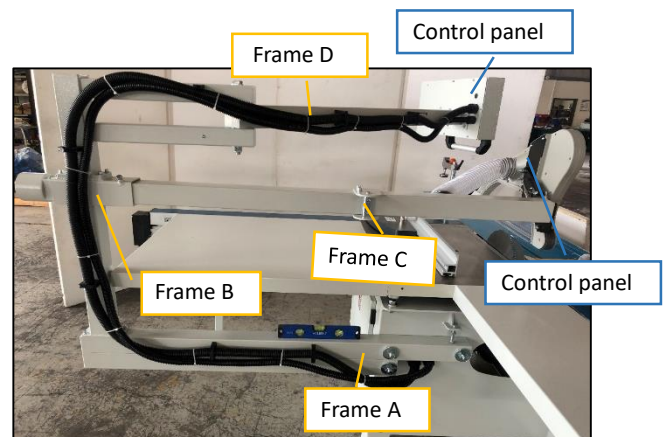
Plug in the break connector



Lock the two screws

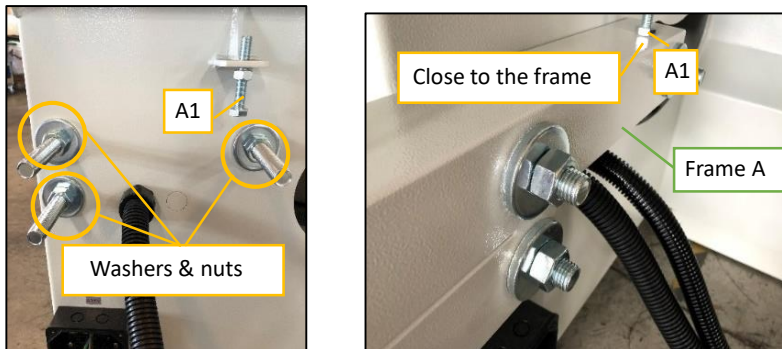
4.5 Assembling Saw Blade Guard

Saw Blade Guard frame is detached from the machine and needed to be assembled before using. Please following the steps to assembled it successfully.

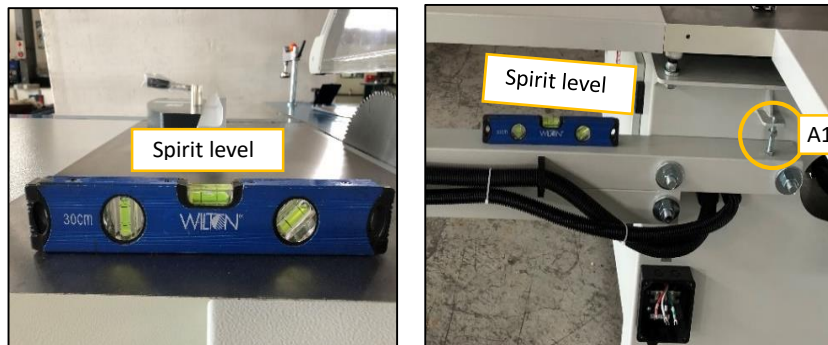


➤ **Frame A**

1. Loosen the nut and washer on the machine frame then put on frame A.
2. Make sure the screw A1 is close to the frame. Do not tighten A1, washer and nuts now.

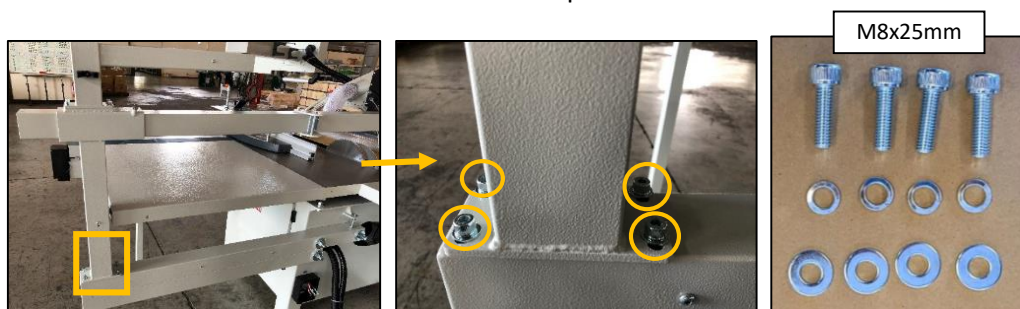


3. Put the spirit level on the frame and cast iron table to make sure they are in the same level. Please adjust the screw A1, if they are not in the same level.
4. Lock A1, washer, and nuts.



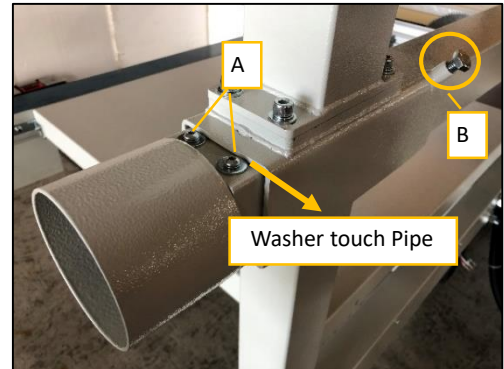
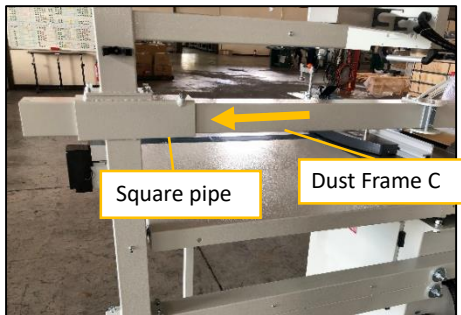
➤ **Frame B**

After adjusting the frame A and cast iron table are in the same level. Put on frame B and tighten four screws with another frame for the next step.



➤ **Frame C**

1. Fit the dust frame C to the square pipe.
2. Insert the Circle Dust pipe into the dust frame C completely and tighten the screws A. Make sure the washers touch the square pipe, and tighten the screw B.

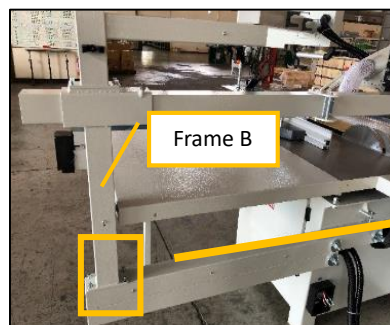


➤ **Overhead guard**

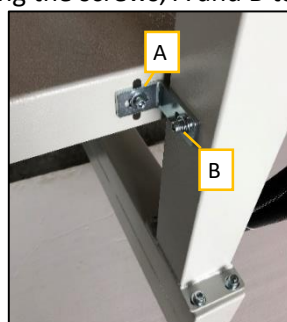
1. Mount the saw blade guard to the support frame C. Tighten the screws and washers to steady it.



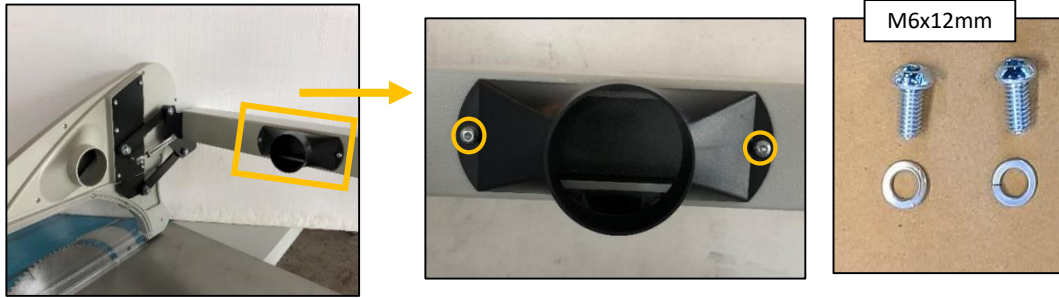
2. After tighten the guard, please make sure both of the front and back rollers are in the middle line of the blade. If the roller is not on the line, please loosen the screws to adjust the angle of frame B to let the roller be on the line. Then tighten the 4 screws.



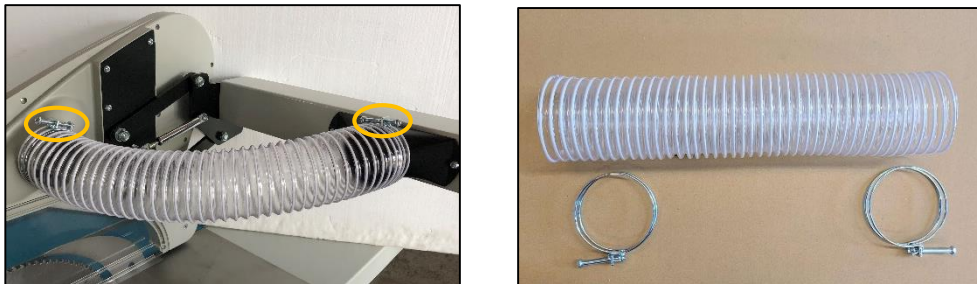
3. After Tightening the screws, A and B to fix the frame B with the extension table.



4. Assembling the dust hood to the dust frame. Tighten the screws to insert the dust hood into dust frame.

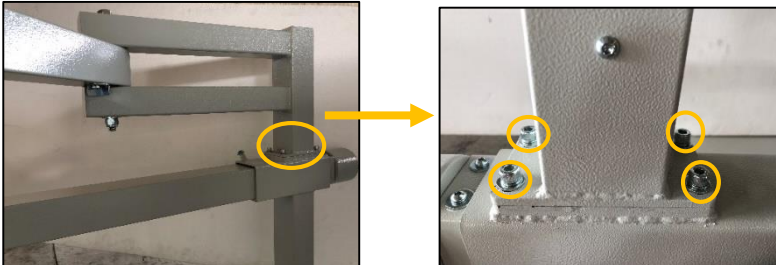


5. Use hose clamp to tighten the hose.



➤ **Frame D**

1. Tighten four screws with the panel from D for the next step.

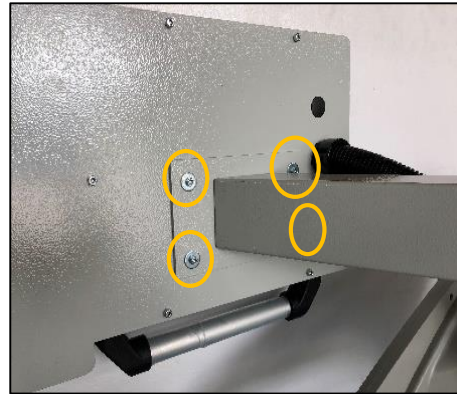


2. Tighten two screws with the panel frame D for the next step.



➤ **Control Panel**

Tighten four screws to fix the panel with the panel frame D.



➤ **Corrugated pipe**

Tighten the seven screws to fix each clamps with the frame, then install the corrugated pipe in the clamps.

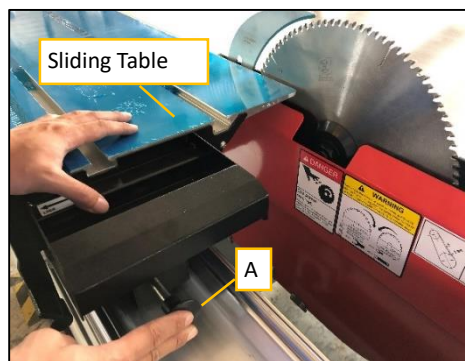


4.6 Assembling Saw Blade and Riving Knife

※In order to keep it safe. Please make sure the power is off when assembling the Saw Blade and Riving Knife※

4.6.1 Assembling Saw Blade

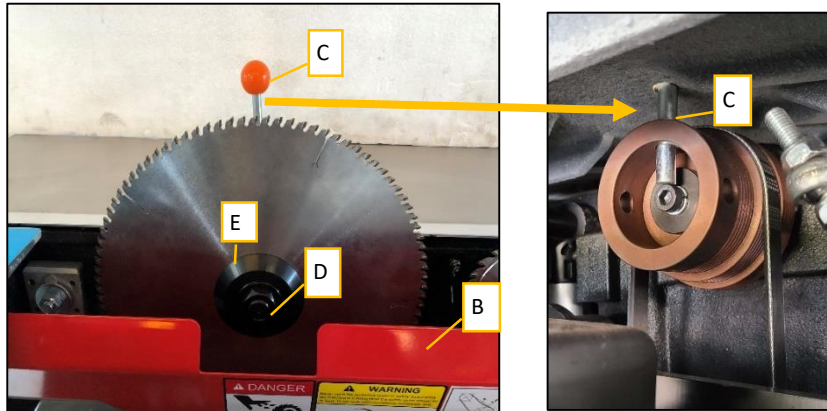
1. Move the sliding table to the left side and push the handle A to let the sliding table move to second position at same time.



2. Open the blade-protect guard B by pulling the red cover.

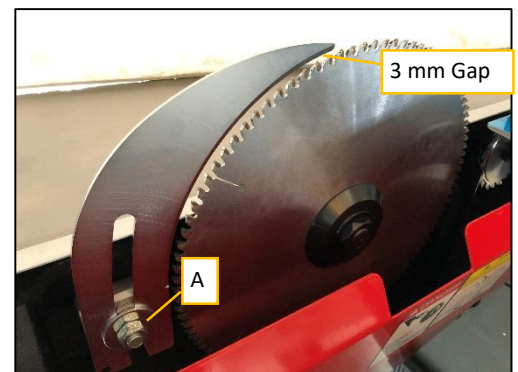
3. Insert the round bar C into the hole on the working table for locking the spindle, and use a wrench to remove the nut D & flange E.
4. Fit the saw blade then tight nut D & flange E to fix the saw blade. Please check the direction of the blade.
5. Remove round bar C

※WARNING: Before turn on the blade, make sure remove the round bar C. Otherwise, the motor will burn out.※



4.6.2 Assembling Riving Knife

1. Loosen nut A, and then insert the riving knife with a wrench.
2. Position the riving knife about 3mm away from the nearest main saw blade tooth. (The Gap between saw blade and riving knife shall be 3mm approx.)
3. Tighten the nut A to secure the riving knife in the position.
4. Move the blade guard & sliding table back to the original position.



4.6.3 Change Scoring Blade & Adjustment

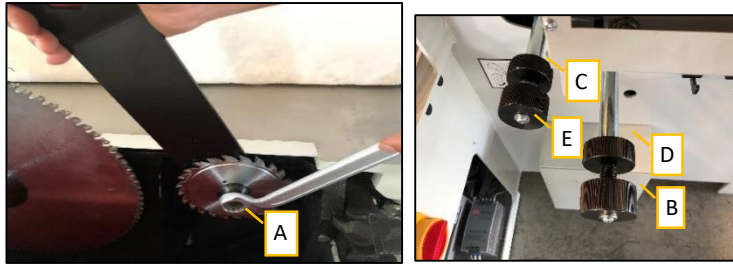
➤ Change scoring blade

1. Loosen screw A on the scoring blade.
2. Take off the blade and flange, then replace the new blade.
3. Put the flange back on and lock screw A.

➤ Adjust scoring blade

After changing the scoring blade, please adjust it by following the instructions below.

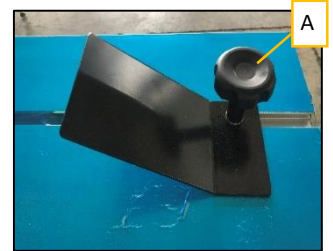
1. Loosen C and D first
2. Turn knob E till the scoring blade reached to the height desired, then tighten knob C.
3. Turn knob B for moving the scoring blade forward or backward after reaching the position desired, then tighten knob D.



1.2 Assembling Edge Shoe and Hold Down

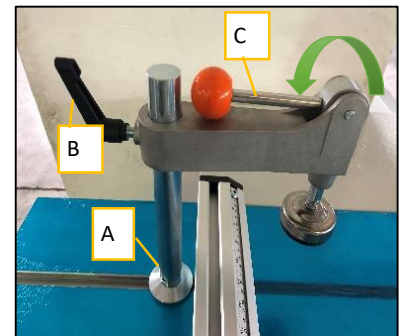
1.2.1 Assembling Edge shoe

1. Loosen knob A and slide the edge shoe into sliding table.
2. Lock A at the ideal location.



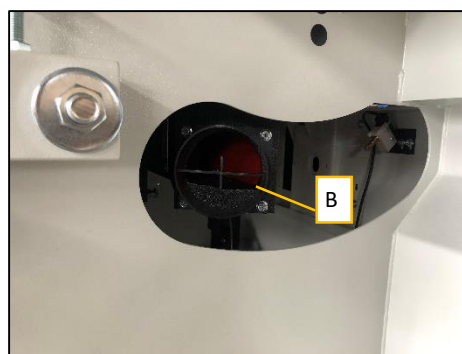
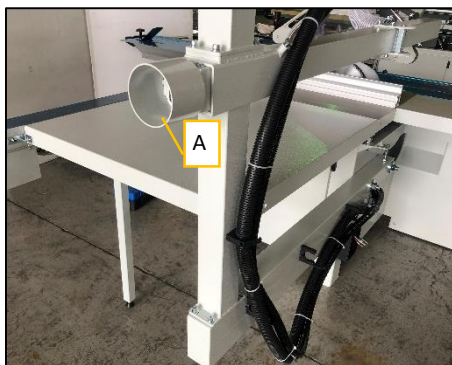
1.2.2 Assembling Hold down

1. Loosen stopper A and slide the hold down into the sliding table groove.
2. Lock stopper A at your ideal location.
3. Adjust the height with handle B. The height must be 1mm higher than the panel.
4. After setting the height, lock the handle B and turn the handle C to fix the panel



1.3 Assembling Dust Collection

- This machine is equipped with two dust ports connected to a dust collection system.
- Please connect the dust collection system before operating.
- Exhaust pipe is A for 4" and B is for 5"



2 Machine Operation

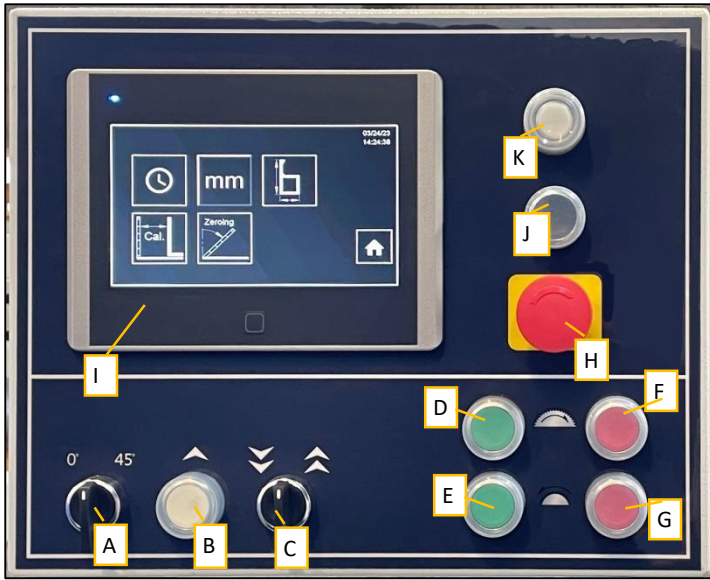
2.1 Wiring and Test Run

WARNING: WORK ON ELECTRICAL FITTINGS MAY ONLY BE CARRIED OUT BY QUALIFIED PERSON. SERIOUS INJURY MAY OCCURRED WHEN LACK OF ATTENTION.

- Check the voltage and the power frequency are corresponding to the machine nameplate.
- For 220V~240V/ 3PH
 1. Open the wiring box to connect the cables as shown.
 2. Connection 220V/3PH, cable with 3 wires (3 line, 1 earth). The 3 phase to R.S.T, Earth to E.
 3. Use a cable adequate for the total power installed.
 4. Close the wiring box.
- Check the direction of blades.
 1. Check whether the direction is correct. If the direction is not correct, press Emergency Stop Bottom immediately.
 2. Turn off the power and exchange two wires (choose two from L1, L2, L3 to exchange/ choose two from R, S, T).
 3. Repeat step one again and make sure blade goes up.



2.2 Touch Screen Panel



- A. Switch for main blade angle
- B. Micro-adjustment for blade angle
- C. Switch for main blade going up/down
- D. MAIN BLADE ON Button—Turn on the main saw blade.
- E. SCORING BLADE ON Button—Start the scoring blade.
- F. MAIN BLADE OFF Button—Stop the main blade and scoring blade
- G. SCORING OFF Button—Stops the scoring blade.
- H. EMERGENCY STOP Button—Disconnects power to all motors
- I. Touch Screen
- J. Stop button of rip fence
- K. START button to move rip fence to the setting value

5.3 Rip fence Operation and Adjustment for A405A3/NC

Any emergency situation during operation, press emergency stop button to stop the motors immediately. The rip fence travels from 2-3mm to 1350mm, and the safety set up sensor is at 300mm. Once the rip fence moves from 300mm to lower, users need to press button K (START) continuously until it reaches your setting position.

5.3.1 Rip fence Operation

- Enter the amount you wish to cut (touch screen grid L).
- Press START (button K) to start the operation.



5.3.2 Calibration

When you receive the machine, need to do motorized rip fence calibration before operating the machine to make sure the dimension shows on the control panel screen is equal to the actual dimension.

➤ Please follow the following steps to do **calibration**.

1. Cut a panel and measure its actual dimension.
2. If the panel is 901mm, but the screen shows 900mm, press button B.
3. When the dimension column is highlighted in white, input the correct dimension (901mm).
4. Then press button B.



5.3.3 Dimension repeat function

The motorized rip fence can automatically memories the last dimension.

For example, if cutting 1000mm, wish to move the motorized rip fence to 600mm which is the dimension from last time.

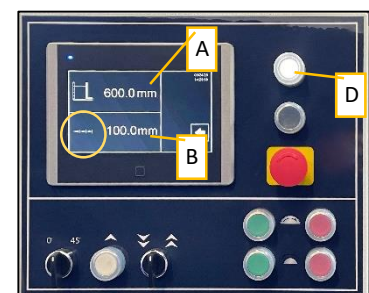
Only need to press button C and START (button D), the rip fence will go to 600mm automatically.



5.3.4 Incremental dimension

This function is to let the motorized rip fence move the same amount every time. Please set the function as following steps.

1. Press grid A to set the start point.
2. Press grid B to set the incremental amount. If the amount is positive, the rip fence will move to the direction of greater value. If the amount is negative, the rip fence will move to the direction of lower value.
3. Press START (button D) to move the rip fence.



5.3.5 Mm/inch

Press button A to switch the units between mm and inch.



5.3.6 Grooves /concealed cuts

Kindly notice that before operating the grooves function, make sure to input the blade information or choose the blade that you are currently using.

Lock & Unlock

Press lock button A to prevent accidental pressing during the operation. (lock sign will show as B).



1. Press grid 1 to set the start point
2. Press grid 2 to set the groove width
3. Grid 3 shows the saw width, will need to set the value.
4. Please set the saw width with the actual blade height (the distance between sliding table to the highest point of main saw blade).
5. Press START (button D) to start grooving function.

5.3.7 Time Setting

Date and time can be adjusted on the touch panel



5.3.8 Zeroing

Angle reset button to 0 degree.

Press reset button A for 3 seconds



5.3.9 Rip fence switch between long side and short side positions

1. Press button A.
2. Enter password to enter setting page.
3. Setting for long side and short side rip fence.



5.3.10 Travel

Alarm

The Max travel is set at 1350mm, Min travel is at 0mm.

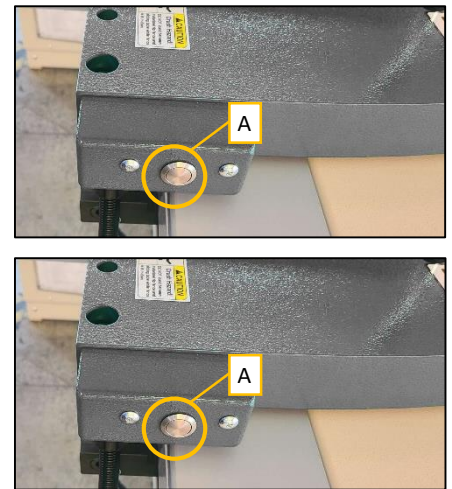
When exceed the system setting, the screen will display a warning signal.



5.3.11 Change to Manual Control

After receiving the new machine, not using the machine for a long time, or having the power shut off suddenly, the memory of the limited positions (0mm, 300mm, 1350mm) in the chip may be deleted. Kindly change the rip fence to manual control mode to help the chip get the memory again. Otherwise, the motorized rip fence may move very slowly.

- Press the button A continuously to release the brake, and push the rip fence forward and backward to touch the limited switch. (After release button A, the break will go back on.)

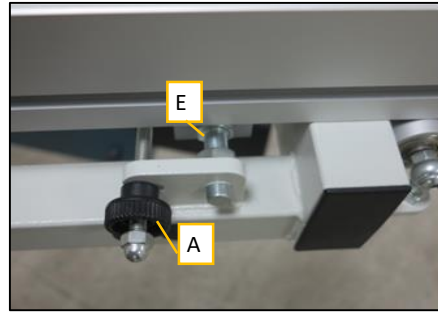
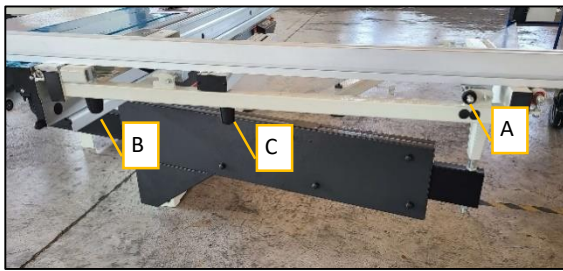


5.4 **Crosscut Fence Operation and Adjustment**

5.4.1 Crosscut Fence Operation (For the straight cutting)

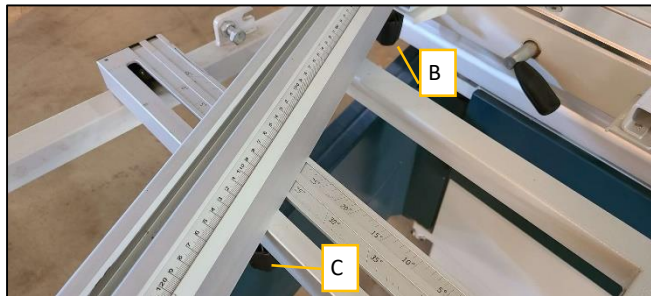
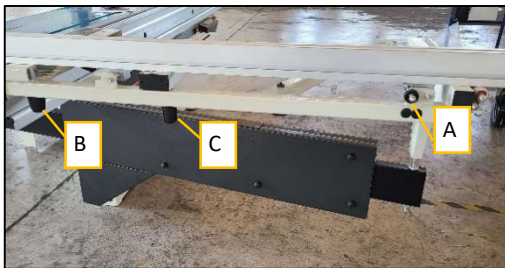
1. Tighten the knob A
2. Then tighten the knob B and C.

3. Make sure the nut E touched against the pad.



5.4.2 Crosscut Fence for different angel

1. Loosen the knob A and B and the knob C.
2. Move the crosscut fence to the desired value.
3. Tighten the Knob B and C.



5.4.3 Flip Stop Operation and Adjustment

When cutting the panel, please make sure the panel is close to the flip stop for the accurate cutting.

➤ Flip Stop Operation

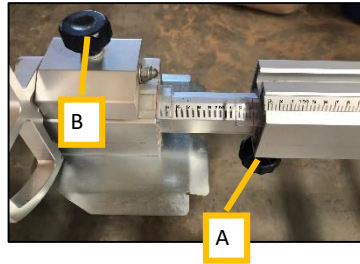
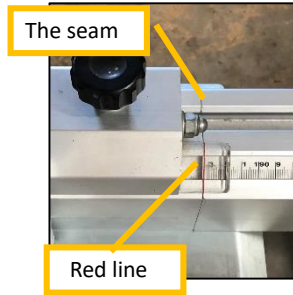
1. Move the flip stop and check the red line on the plastic plate is on the length that you need.
2. Tighten the knob to fix the flip stop.
3. Make the panel close to the flip stop for operation.



➤ Extension the Crosscut Fence

1. Before pull the extension crosscut fence, use knob B to move the flip stop transparent plate red line onto the seam of crosscut fence and extension crosscut fence then tighten knob B.
2. Loosen the knob A to move the flip stop to extent the crosscut fence.
3. Move the flip stop to the desired value and tighten the knob A.

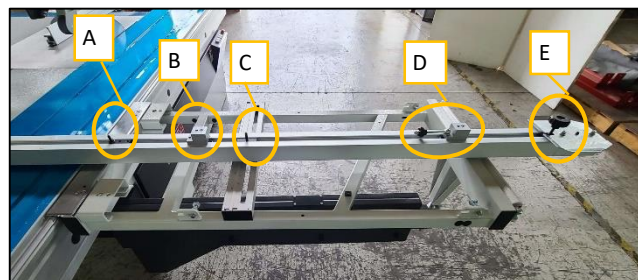
4. Please make sure the flip stops and the crosscut fence is on the same level.



➤ Crosscut Fence Adjustment-1/2

When the setting value is not the same as the cutting value, please make the following steps to improve the accuracy of the operation.

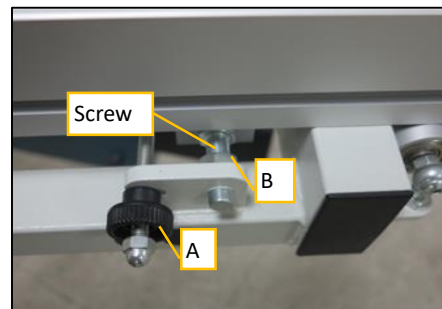
1. Make sure the flip stops are locked on the crosscut fence.
2. Loosen the parts A to E.
3. Move the crosscut fence in or out to fit the actual value.
4. (For example: If the setting value is 60cm but the actual value is 60.5cm, please move the crosscut in 5mm to fit the actual value.)
5. After adjust the value tighten the parts A to E for operate.



➤ Crosscut Fence Adjustment-2/2

When the panel cannot be cut straight, please make the following adjustment.

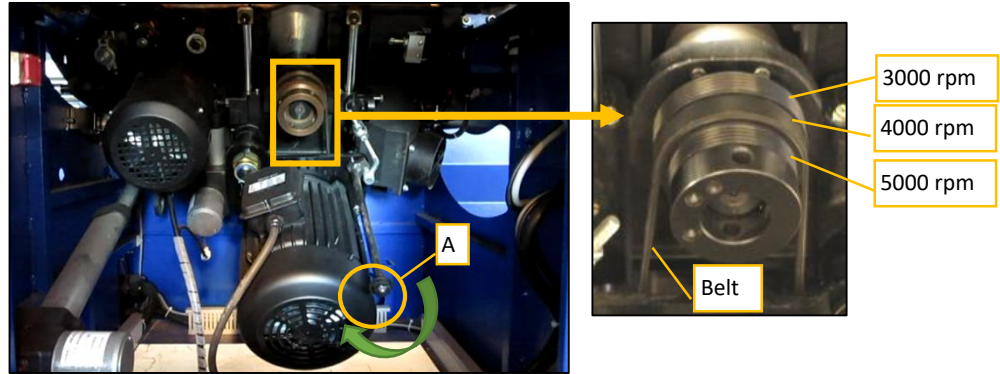
1. If the result is bigger at the front, smaller at the back after cutting the panel, please loosen the nut B and screw in the screw.
2. If the result is smaller at the front, bigger at the back, please loosen the nut B and screw out the screw.



5.5 Motor Speed and Belt Change

5.5.1 Speed Change

1. Turn the nut A clockwise, and then the motor will be moved up and belt will be slacked.
2. Put the belt to the desired speed.
3. Turn the nut A on opposite side counterclockwise, the motor will be moved to the original position.



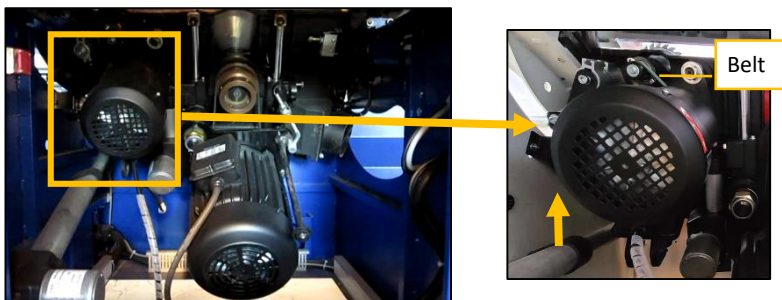
5.5.2 Belt Change

1. Turn the knob to 45°.
2. Turn the nut A clockwise then the motor will be moved up and belt will be slacked.
3. Replace the belt with new one
4. Turn the nut A counterclockwise, and the motor will be moved to the original position.



5.5.3 Scoring Motor Belt Change

1. Pull the scoring motor up, then the belt will be slacked.
2. Replace the belt with new one
3. Put down the motor to the original position



5.6 Saw Blade Adjustment

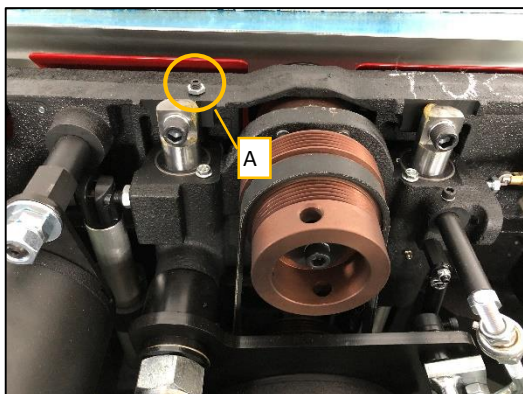
5.6.1 Saw Blade Verticality Adjustment (follow the steps)

1. Loosen the nuts A and screw out the screw B.
2. Loosen the nuts C and screw out the screw D.
3. Loosen the nut E and adjust the screw F.
4. If the saw blade degree is more than 0° , screw in the screw F.
5. If the saw blade degree is less than 0° , screw out the screw F.
6. After adjust to 0° , tighten the nut E.
7. Screw in the screws B and D to touch the base. Then tighten the nuts A and C.
8. Press the RESET button on the screen until the number goes to 0.

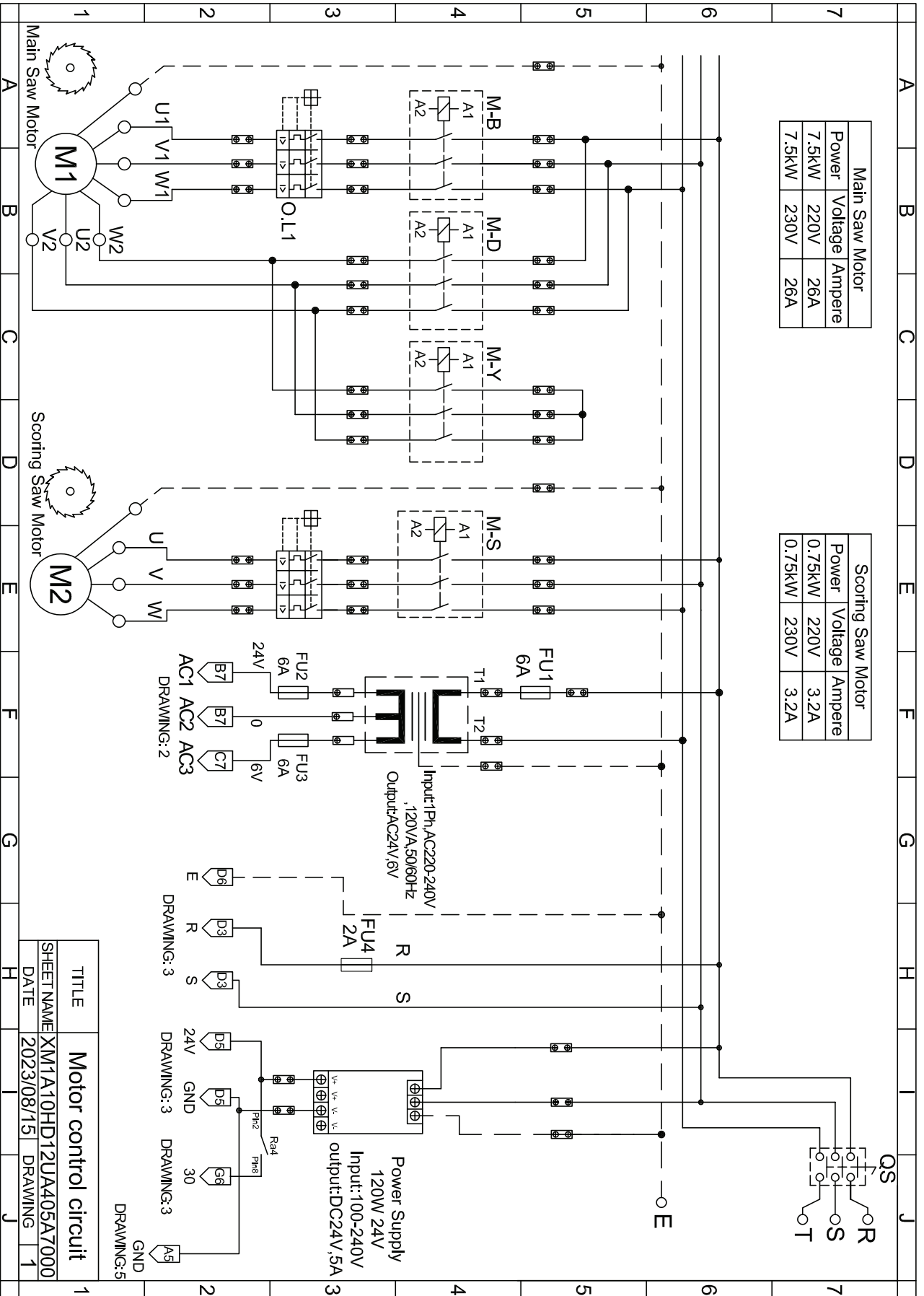


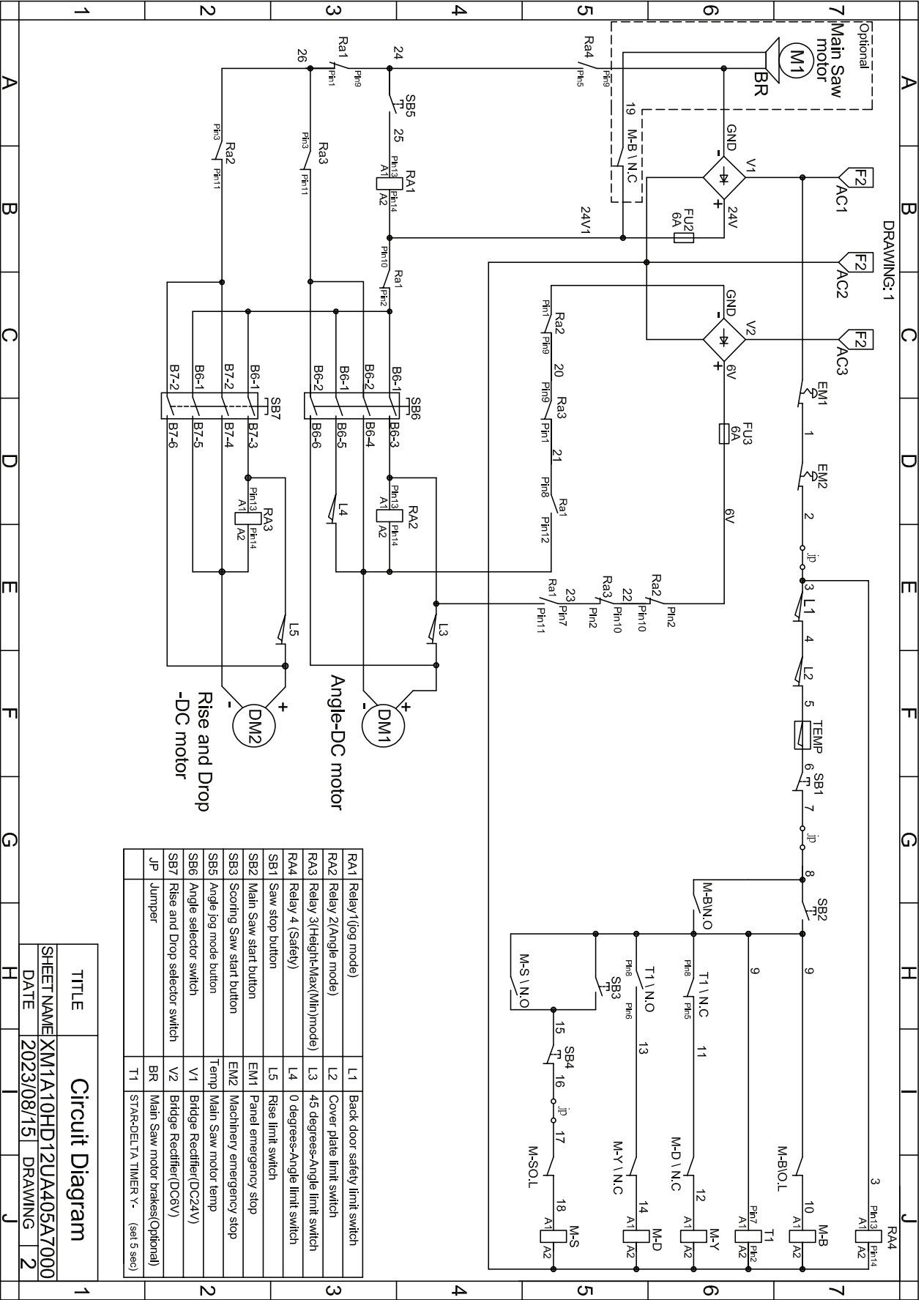
5.6.2 Saw Blade Height Adjustment (follow the steps)

1. Loosen the nut and screw A.
2. Loosen screw B and adjust the limited switch height.
3. After adjust to the desired height, tighten the screws B.
4. The screw A touched again the base then tightens the nut.

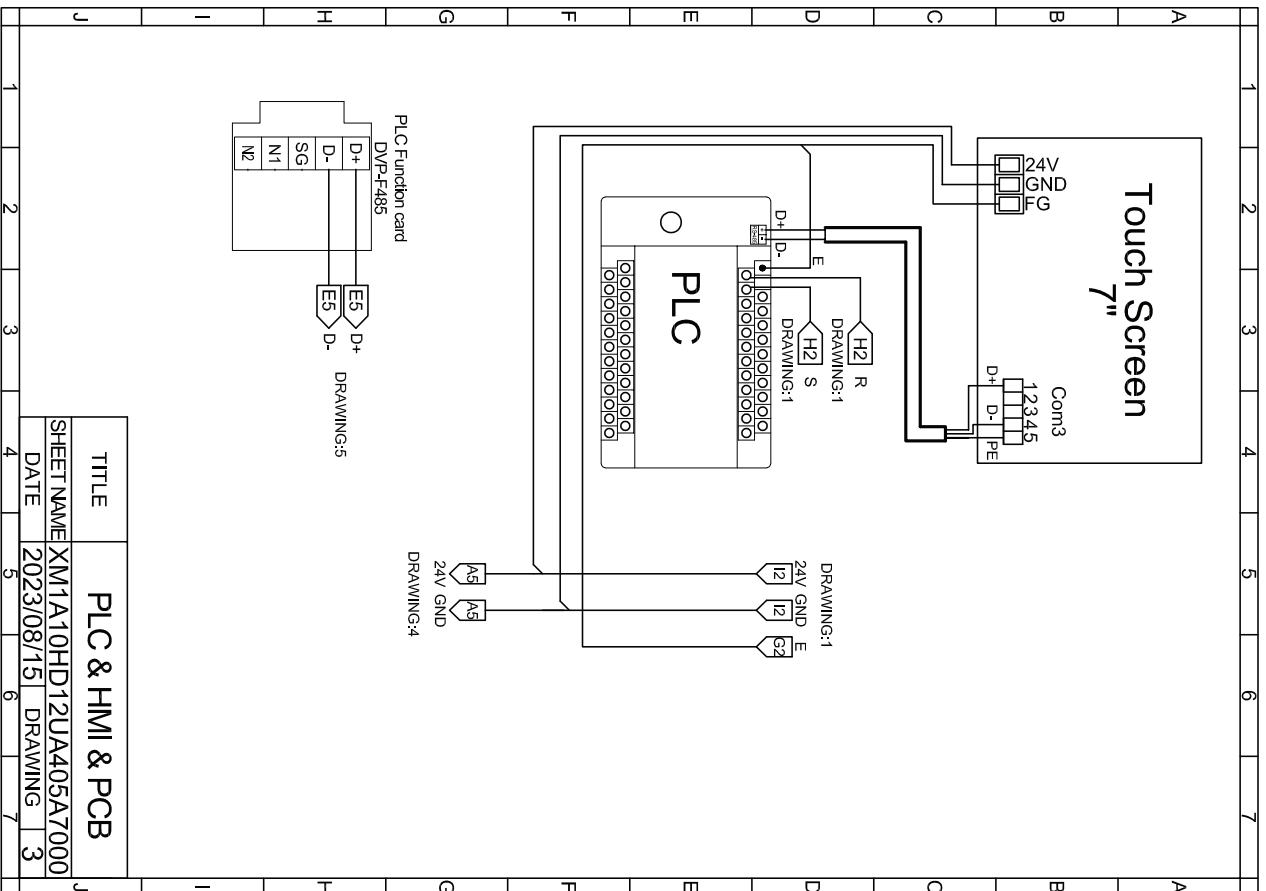


6 Wiring Diagram

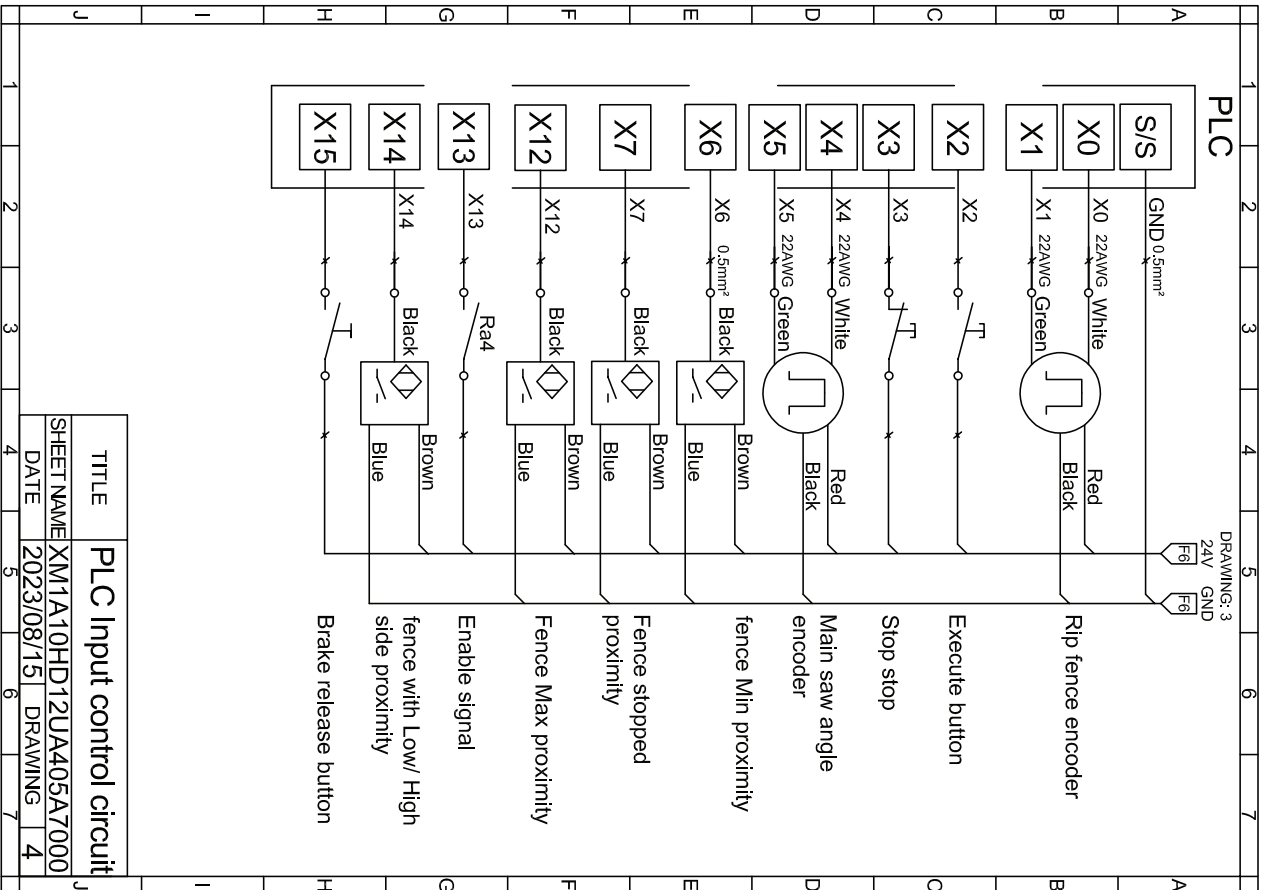




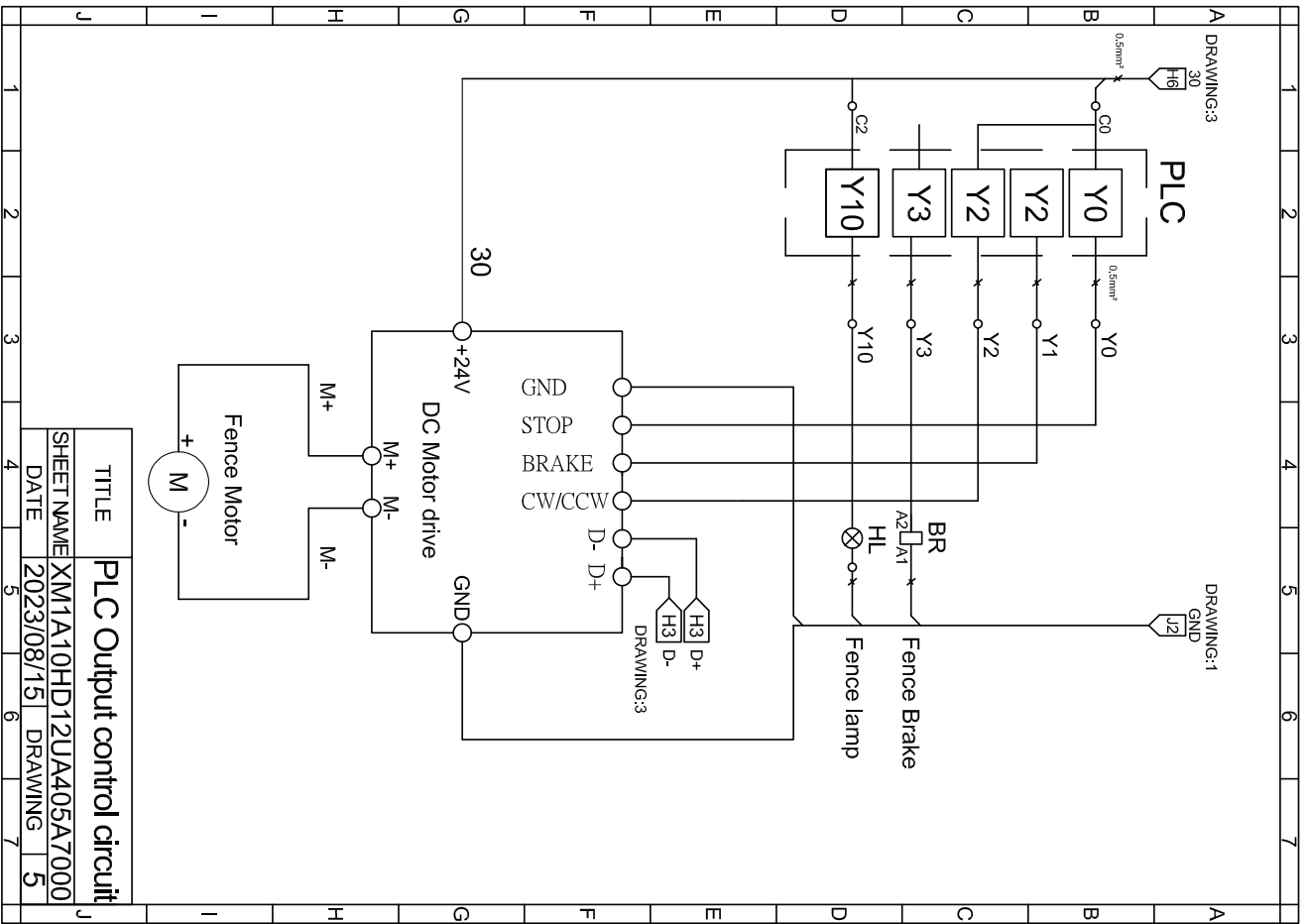
TITLE	Circuit Diagram
SHEET NAME	XM1A10HD12UA405A7000
DATE	2023/08/15
DRAWING	2



TITLE	PLC & HMI & PCB
SHEET NAME	XM1A10HD12UA405A7000
DATE	2023/08/15 DRAWING 3

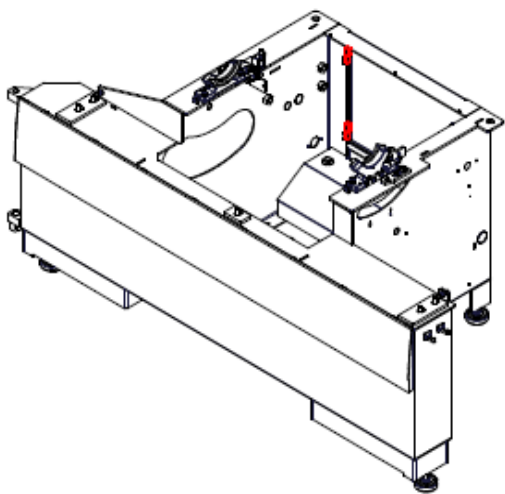
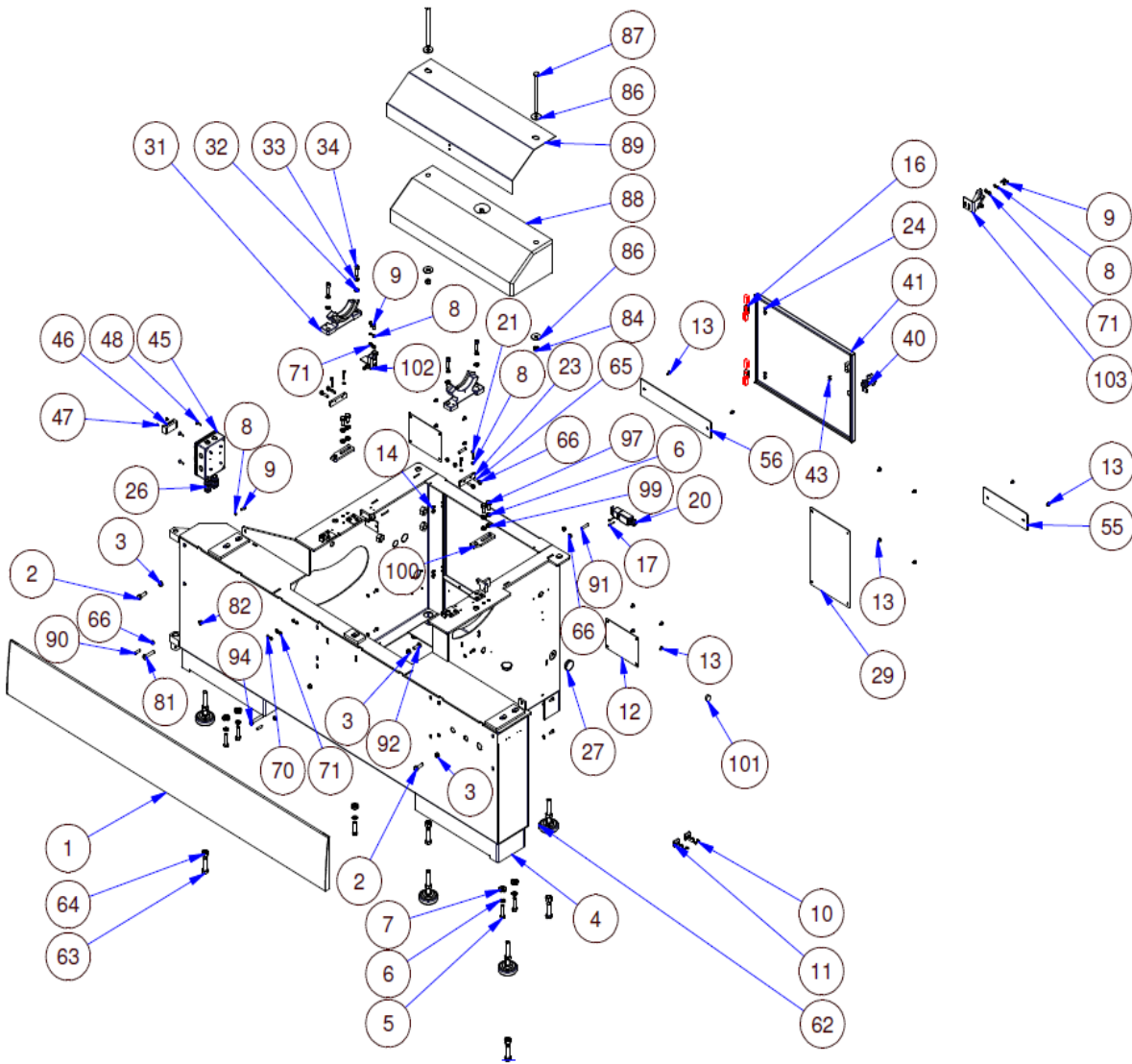


TITLE	PLC Input control circuit
SHEET NAME	XM1A10HD12UA405A7000
DATE	2023/08/15 DRAWING 4



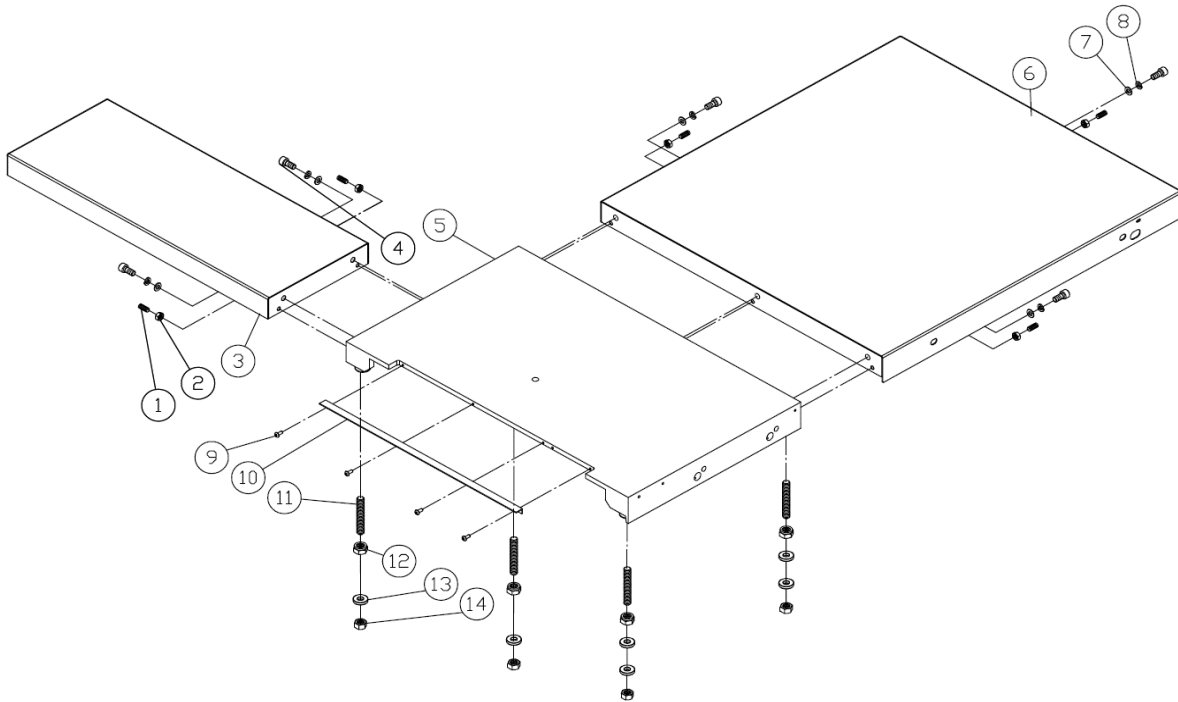
TITLE	PLC Output control circuit
SHEET NAME	XM1A10HD12UA405A7000
DATE	2023/08/15
DRAWING	5

7 Exploded View

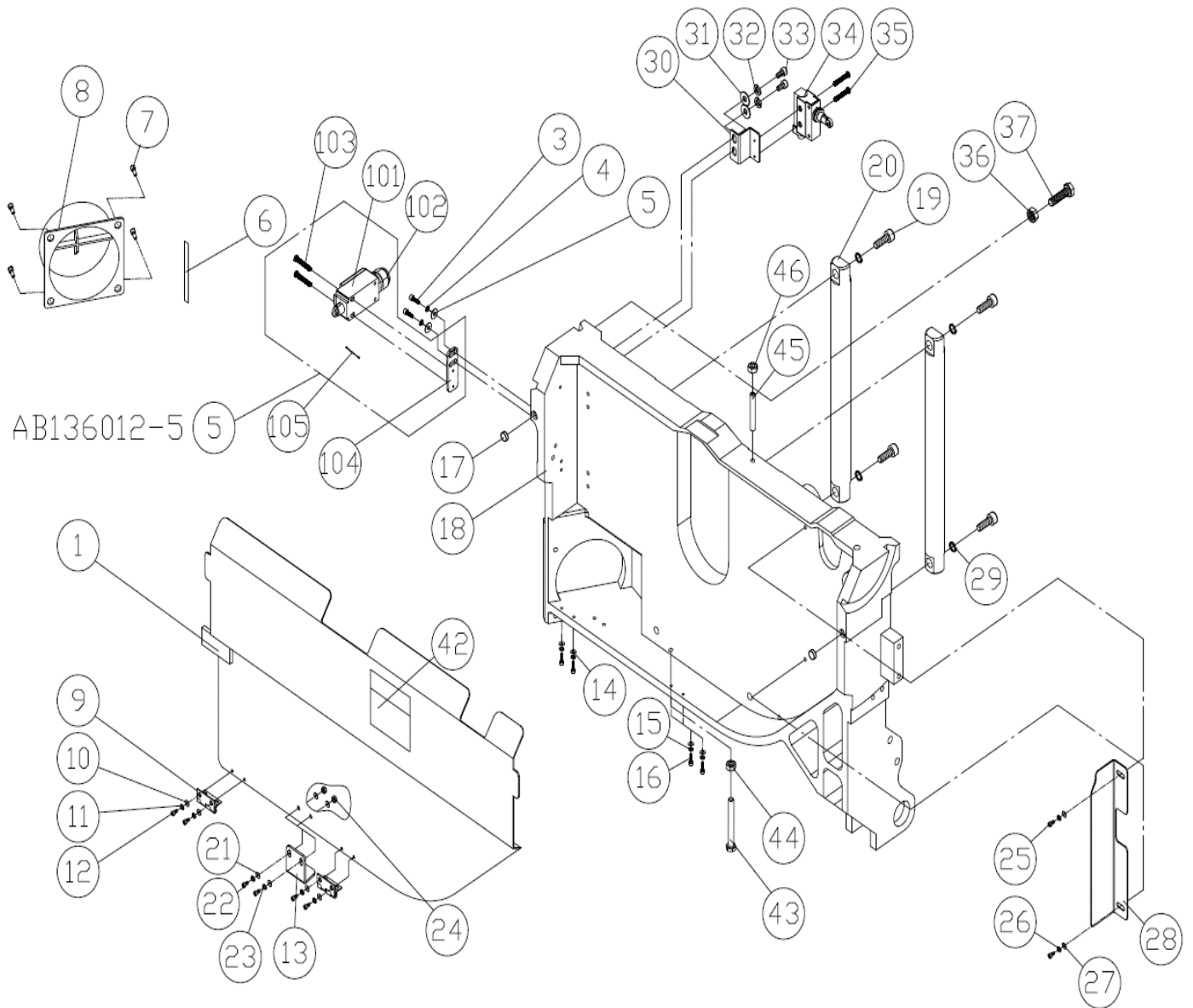


ITEM	PART NO.	PART NAME	SIZE	Q`TY	NOTE
0010	208247A	Upper Front Guard		1	GK
0020	SH100700	Hex. Head Screw	M10*1.5*35	2	
0030	NH101700	Nut	M10x1.5	3	
0040	208439	Machine Body		1	R
0050	SH121000	Hex. Head Screw	M12*1.75*50	5	
0060	WS120000	Spring Washer	M12	9	
0070	203410	Ring		5	
0080	WS060000	Spring Washer	M6	16	
0090	SR069400	Hex. Socket Screw	M6*1*16	12	
0100	ST049300	Tapping Screw	M4*0.7*12	4	
0110	170736	Saw Hook		2	
0120	207128	Adjust Plate		2	R
0130	SP060200	Pan Head Screw	M6*1*10	20	
0140	SG050200	Hex. Flange Screw	M5*0.8*10	4	
0160	203412	Block		2	
0170	SP040500	Pan Head Screw	M4*0.7*25	2	
0200	136457	Door Safety Switch	AZD-S11	1	
0210	SR060600	Hex. Socket Screw	M6*1*30	4	
0230	208146	Stop Block		2	
0240	SG059100	Hex. Flange Screw	M5*0.8*6	4	
0260	709421	Strain Relief		2	
0270	206442	Clip Plug	HP-38	2	
0290	201893	Cover Pate		1	R
0310	207540	Rotating Plate		2	
0320	WF102030	Flat Washer	M10xφ20x3mm	4	
0330	WS100000	Spring Washer	M10	4	
0340	SR100700	Hex. Socket Screw	M10*1.5*35	4	
0400	203430	Knob		1	
0410	205259	Door Plate		1	R
0430	SP049200	Pan Head Screw	M4*0.7*8	2	
0450	201105	Power Box		1	CE
0460	994805	Terminal Socket	2504-25A/4P	1	CSA
0470	ST040204	Tapping Screw	M4x10(AB)	2	
0480	SP050400	Pan Head Screw	M5*0.8*20	4	
0550	206345-32	Support Plate		1	R
0560	207309-33	Support Plate		1	R
0620	201150	Adjust Foot		4	S
0630	SH161100	Hex. Head Screw	M16*2*55	4	

ITEM	PART NO.	PART NAME	SIZE	Q`TY	NOTE
0640	NH162400	Nut	M16*2*13T	4	
0650	SS080500	Set Screw	M8*1.25*25	4	
0660	NH081300	Nut	M8*13	8	
0700	NH061000	Nut	M6	2	
0710	WF061620	Flat Washer	M6*φ16	6	
0810	SH101040	Hex. Head Screw	M10*1.5*50	1	
0820	NH101400	Nut	M10x1.5P	4	
0840	NH121900	Nut	M12*1.75*10t	2	
0860	WF124030	Flat Washer	M12*φ40 t3mm	4	
0870	SH123600	Hex. Head Screw	M12*1.75*180	2	
0880	205657	Concrete Block		1	
0890	207568	Cover Pate		1	R
0900	SS080600	Set Screw	M8*1.25*30	2	
0910	SS080800	Set Screw	M8*1.25*40	2	
0920	SH100640	Hex. Head Screw	M10*30	1	
0940	SH101340	Hex. Head Screw	M10*1.5*65	1	
0970	SH120500	Hex. Head Screw	M12*1.75*25	4	
0990	WF122130	Flat Washer	M12*φ21	4	
1000	203414	Plate		2	
1010	201458	Plug	HP-22	1	
1020	AB207751			1	
1030	AB207752			1	
Notice: Following parts are optional, and not in the diagram.					
9450	201105A	Power Box		1	CSA
9460	994805	Terminal Socket	2504-25A/4P	0	CE

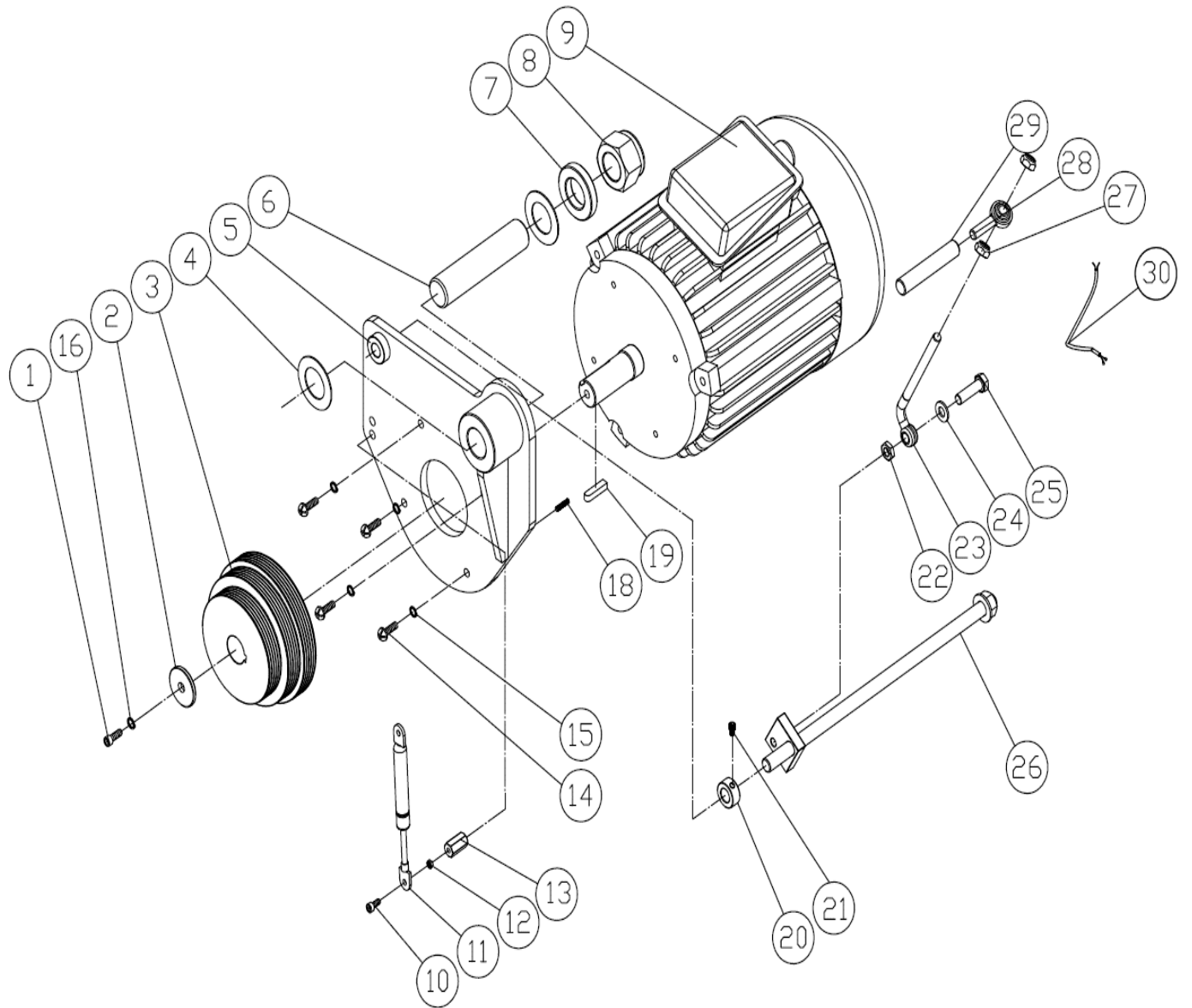


ITEM	PART NO	PART NAME	SIZE	Q'TY	NOTE
1	SS100400	Set Screw	M10*20	5	H
2	NH101700	Hex Nut	M10	5	H
3	207077	Left Ext. Plate		1	R
	207151	Left Ext. Plate		1	R / S
4	SR100500	Cap Screw	M10*25	5	
5	206643	Table		1	R
6	207078	Ext. Plate		1	R
7	WF102030	Washer	M10* ψ 20	5	
8	WS100000	Lock Washer	M10	5	
9	SJ069300	Button Head Screw	M6*12	4	
10	206354	Table Insert		1	
11	208436	Set Screw	M16*100	4	
12	NL162400	Lock Nut	M16	4	
13	205016	Washer		6	
14	NH162400	Hex Nut	M16	4	

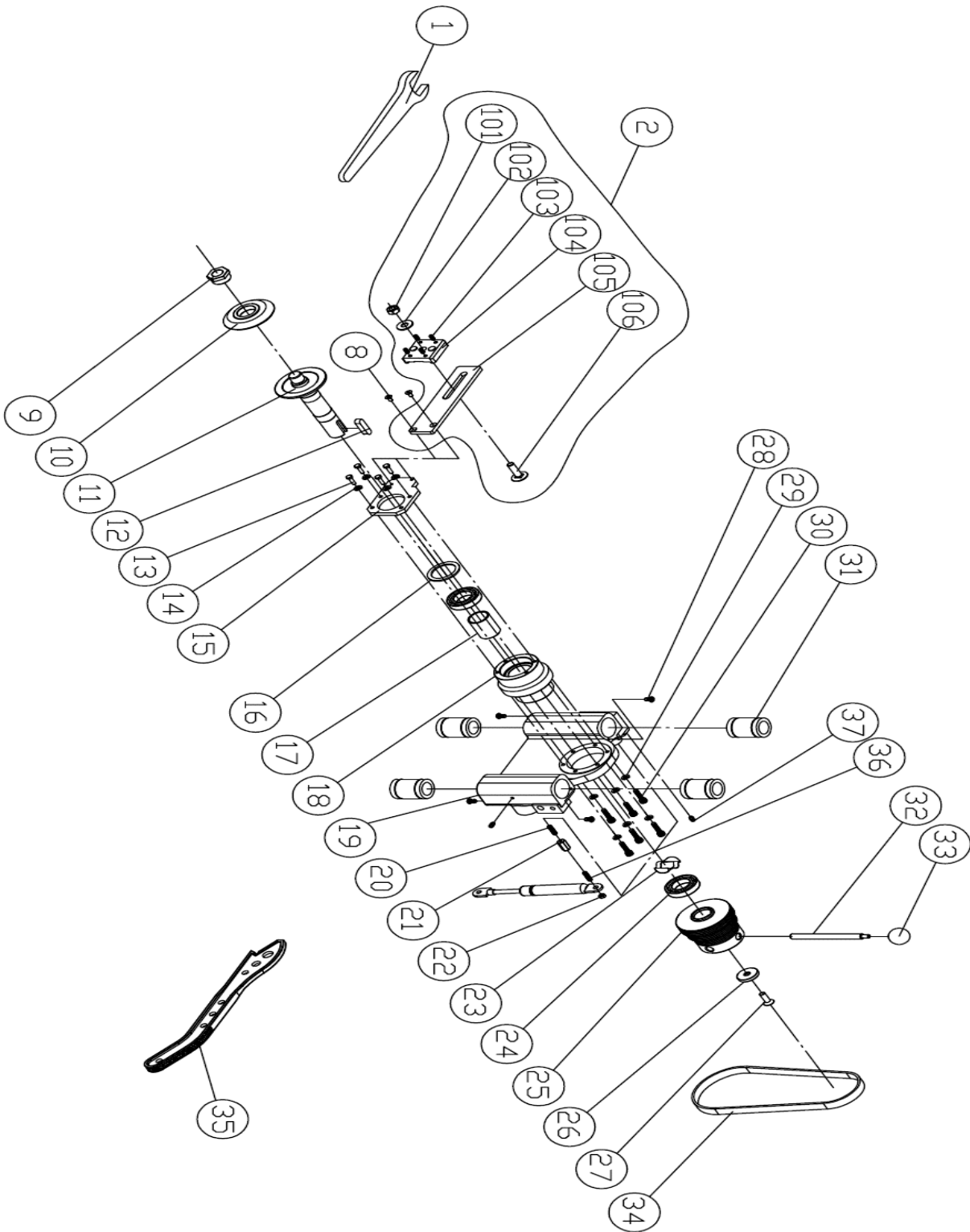


ITEM	PART NO	PART NAME	SIZE	Q`TY	NOTE
1	208069	Cover		1	F1L
2	AB136012-5	Door Safety Switch Assembly		1	A
101	136012	Door Safety Switch		1	
102	709411	Strain Relief	PG11	1	
103	SP040700	Pan Head Plate	M4*35	2	
104	206341	Fix Plate		1	
105	IC200810	STOP CORD	0.75x2Cx3.1Mx4Y.E	1	
3	SH059300	Hex Head Bolt	M5*12	2	

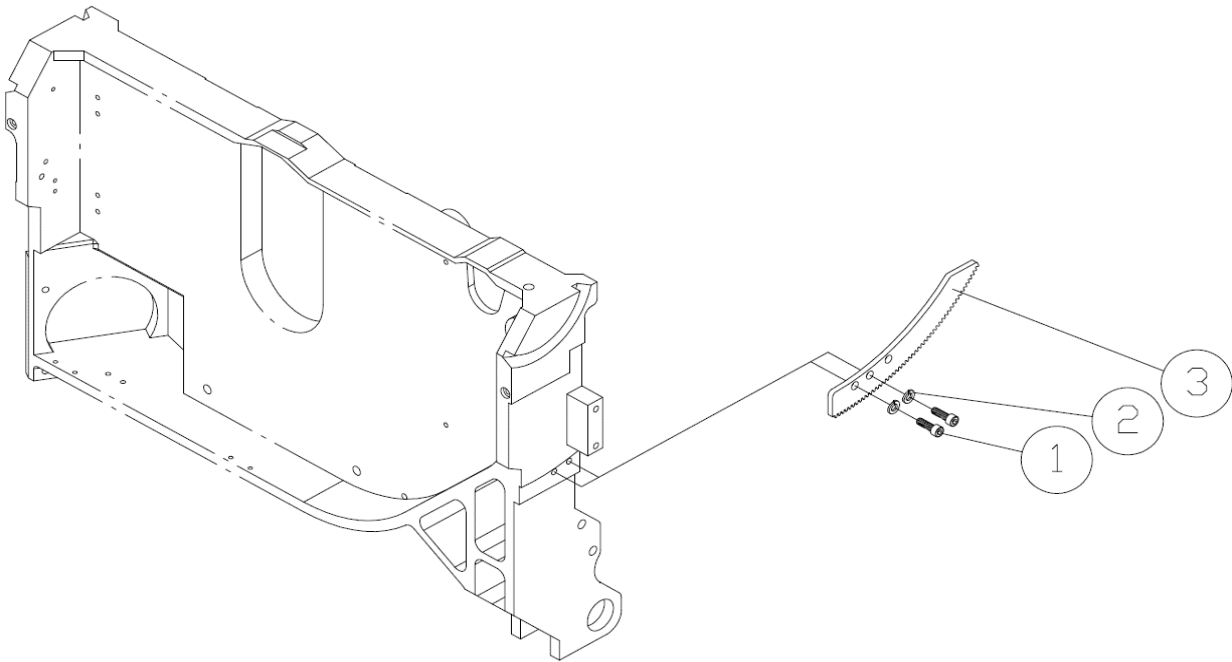
ITEM	PART NO	PART NAME	SIZE	Q`TY	NOTE
4	WS050000	Lock Washer	M5	2	
5	WF051010	Washer	M5*ψ10	2	
6	150527	Sponge		2	
7	SF089300	Hex Head Bolt(+)/W	M8x12	4	
8	206118	Dust Port	ψ5"	1	
	208423	Dust Port	ψ4"	1	
9	207940	Hinge		2	
10	WF051010	Washer	M5*10	4	
11	WS050000	Lock Washer	M5	4	
12	SR059200	Cap Screw	M5*8	4	
13	207152	Plate		1	
14	WF051010	Washer	M5*10	4	
15	WS050000	Lock Washer	M5	4	
16	SR050200	Cap Screw	M5*10	4	
17	203249-1	Magnetic Iron		2	
18	208112	Channel Base		1	T
19	SR120900	Cap Screw	M12*45	4	
20	210007	Shaft		2	
21	WF051010	Washer	M5*10	4	
22	SR059400	Cap Screw	M5*16	2	
23	WS050000	Lock Washer	M5	2	
24	NH050800	Hex Nut	M5	2	
25	SR060200	Cap Screw	M6*10	2	
26	WS060000	Lock Washer	M6	2	
27	WF061620	Washer	M6*ψ16	2	
28	206479	Plate		1	
29	WS120000	Lock Washer	M12	4	
30	205477	Plate		1	
31	WF061310	Washer	M6*ψ13	2	
32	WS060000	Lock Washer	M6	2	
33	SR069300	Cap Screw	M6*12	2	
34	205397A	Door Safety Switch	AZ7311	1	
35	SP040600	Pan Head Screw	M4*30	2	
36	NH081300	Hex Nut	M8	1	
37	SH080600	Hex Head Bolt	M8*30	1	
42	LM208001	Warning Label		1	
43	SH081500	Hex Head Bolt	M8*75	1	
44	NH081300	Hex Nut	M8	1	
45	SS081100	Set Screw	M8*55	1	
46	203239	Hex Nut	M8	1	



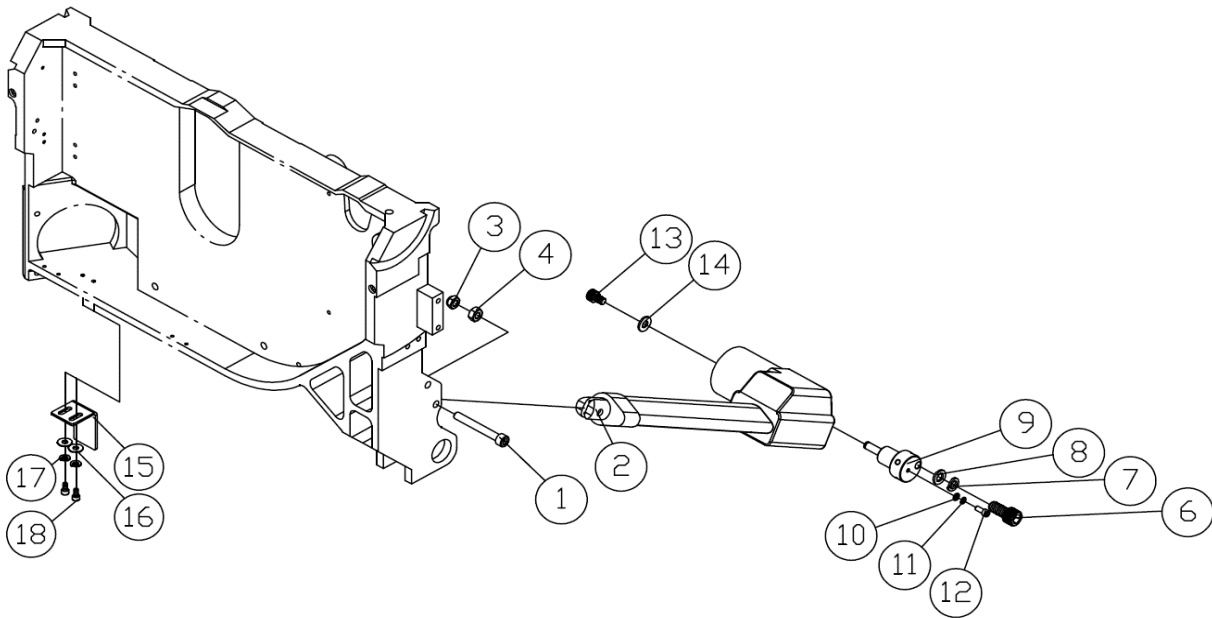
ITEM	PART NO	PART NAME	SIZE	Q`TY	NOTE
1	SR100402	Cap Screw	M10*1.5P*20(LH)	1	
2	WF104030	Washer	M10*ψ40*3t	1	
3	205788	Pulley	50HZ	1	X2 / CE
	205794	Pulley	60HZ	1	X2 / CSA
4	994220	Thrust Bearing	32X54X1.5MM	2	
5	210018A	Main Motor Plate		1	
6	210008	Main Motor Shaft		1	
7	210047A	Washer		1	
8	NL304600	Lock Nut	M30X3.5P	1	
9	MA208001	Motor	7.5HP	1	
10	SR060400	Cap Screw	M6*20	1	
11	210203	Gas Expansion Cylinder	25KG*60L	1	
12	NH061000	Hex Nut	M6	1	
13	210017	Shaft		1	
14	SJ080500	Hex Head Bolt	M8x25	4	
15	WS080000	Lock Washer	M8	4	
16	WS100000	Lock Washer	M10	1	
18	SS080400	Set Screw	M8*20	1	
19	KS080835	Key	8*8*35L	1	
20	203043	Ring		1	
21	SR069300	Cap Screw	M6*12	1	
22	NH101704	Hex Nut	M10	1	
23	203044	Bolt		1	
24	WF102025	Washer	M10*ψ20	1	
25	SH100700	Hex Head Bolt	M10x35	1	
26	210040	Adjusting Lever		1	
27	NL101700	Lock Nut	M10X1.5P	2	
28	203167	Eye Bolt	M10*60	1	
29	210012	Shaft		1	
30	IC207012	Temperature Cord		1	
	IC207071	Temperature Cord		1	



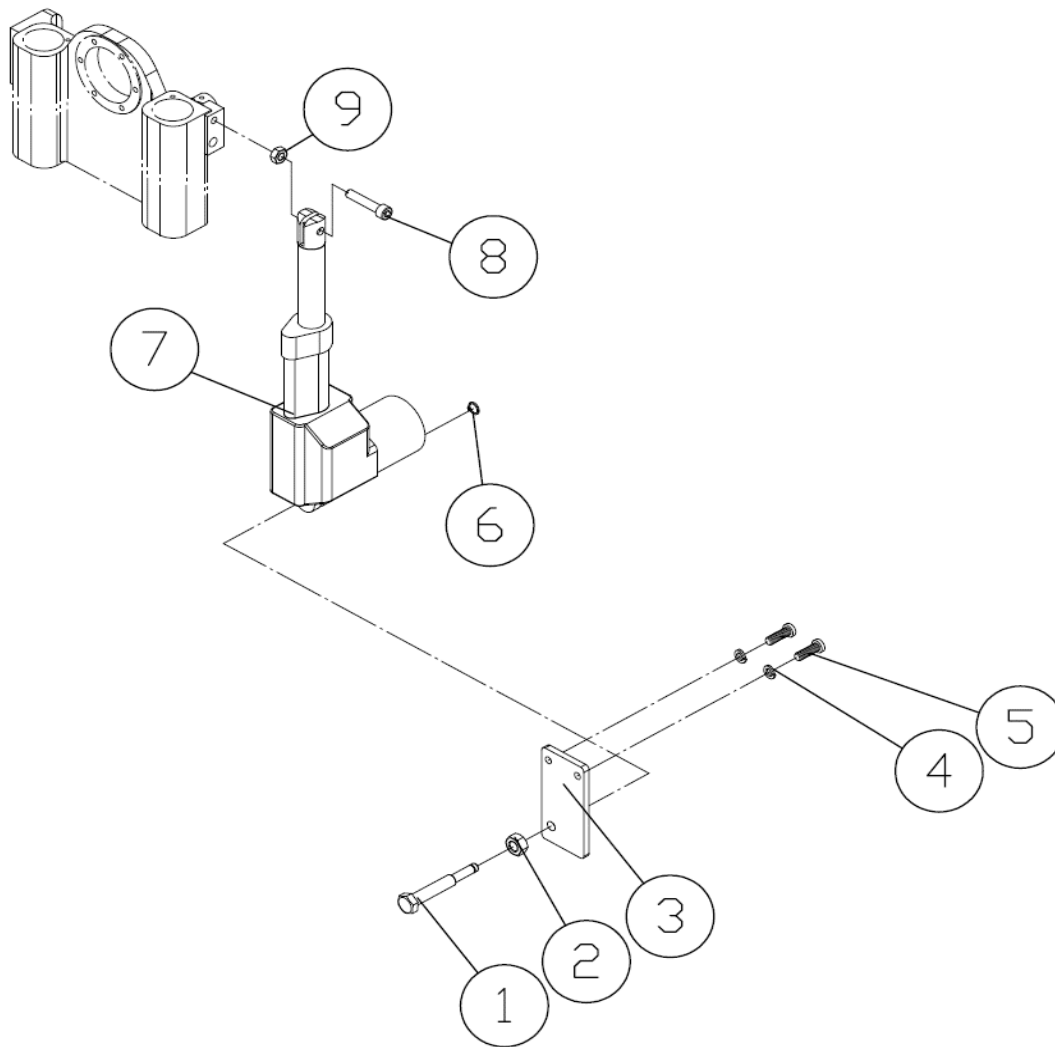
ITEM	PART NO	PART NAME	SIZE	Q`TY	NOTE
1	999455			1	
2	AB208186	Fix Block ASM		1	
101	NH121900	Hex Nut	M12*1.75	1	
102	WF124030	Washer	M12*ψ40	1	
103	SS050200	Setscrew	M5x10	4	
104	206461	Fix Block		1	
105	208186	Fix Block		1	
106	SC120800	Carriage Screw	M12x40	1	
8	SI069400	Counter Sunk Screw	M6*16	2	
9	208141	Nut	M24*3.0P	1	
10	210059	Flange		1	
11	208109	Main Shaft	ψ30	1	
	208194	Main Shaft	ψ25.4	1	S
12	KS100840		10*8*40	1	
13	SH060400	Hex Head Bolt	M6*20	4	
14	WS060000	Lock Washer	M6	4	
15	208187	plate		1	
16	208111	Washer		1	
17	205039	Distance Ring		1	
18	205041	Bearing Case		1	X2
19	208315	Bracket		1	T
20	SS080500	Setscrew	M8x25	1	
21	210017	Rod		1	
22	NL061000	Lock Nut	M6X1.0P	1	
23	WW476004	Wave Washer	ψ47*ψ60	1	
24	BB600704	Ball Bearing	6007LLB	2	
25	205386	Pulley		1	X2
26	205035A	Washer		1	
27	SR100500	Cap Screw	M10*25	1	
28	SF069300	Hex Head Bolt(+)/W	M6x12	4	
29	WS060000	Lock Washer	M6	6	
30	SR060600	Cap Screw	M6*30	6	
31	BL450602	Bearing	LM30UU	4	
32	205088	Rod		1	
33	100271	Ball Knob	M8*1.25P	1	
34	210048	Multiple Ribbed Belt	5PK-815(32")	1	50HZ
	210048A	Multiple Ribbed Belt	5PK-800(31.5")	1	60HZ
35	200544	Push Stick		1	
36	SS060500	Setscrew	M6x25	1	
37	203198	Oil Filler Point		2	



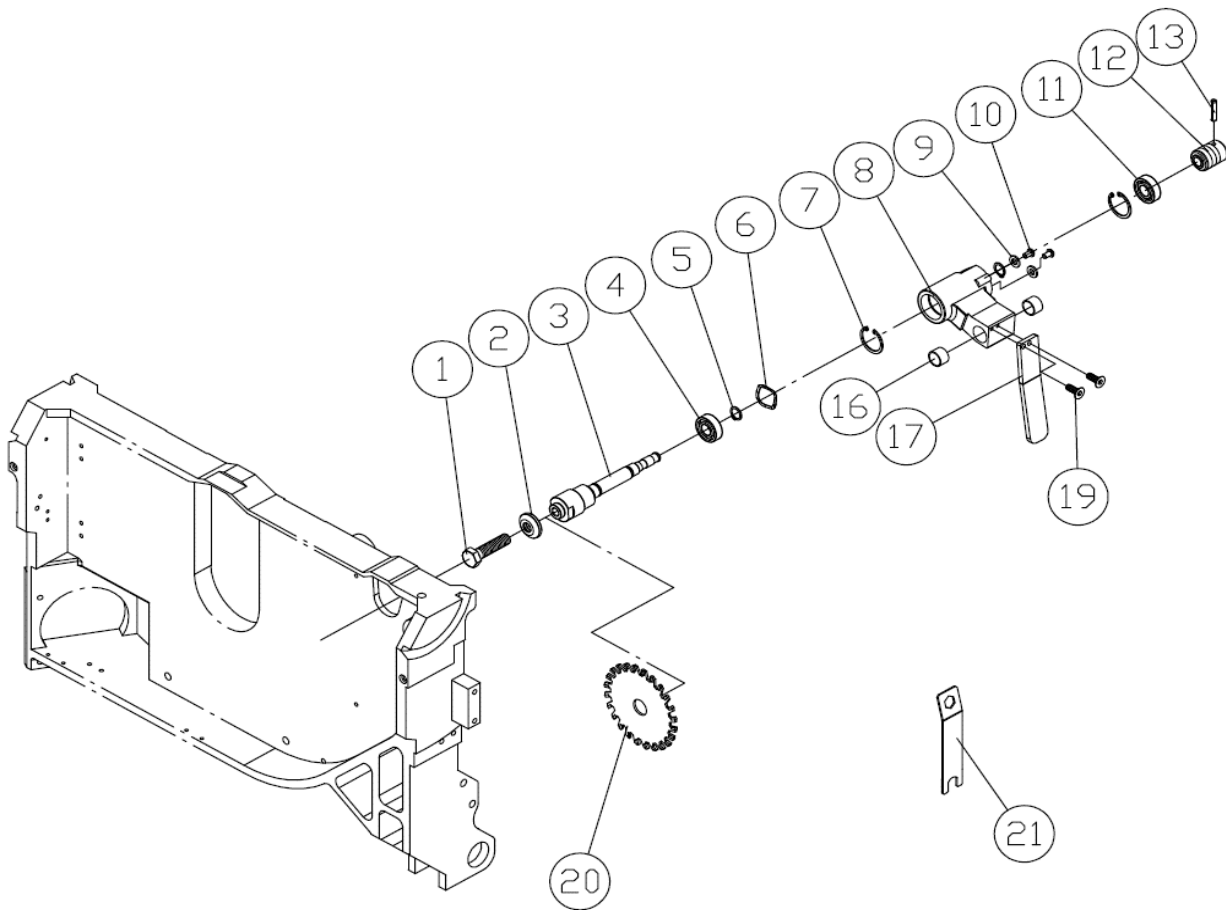
ITEM	PART NO	PART NAME	SIZE	Q`TY	NOTE
1	SR080400	Cap Screw	M8x20	2	
2	WS080000	Lock Washer	M8	2	
3	210038	Gear wheel		1	



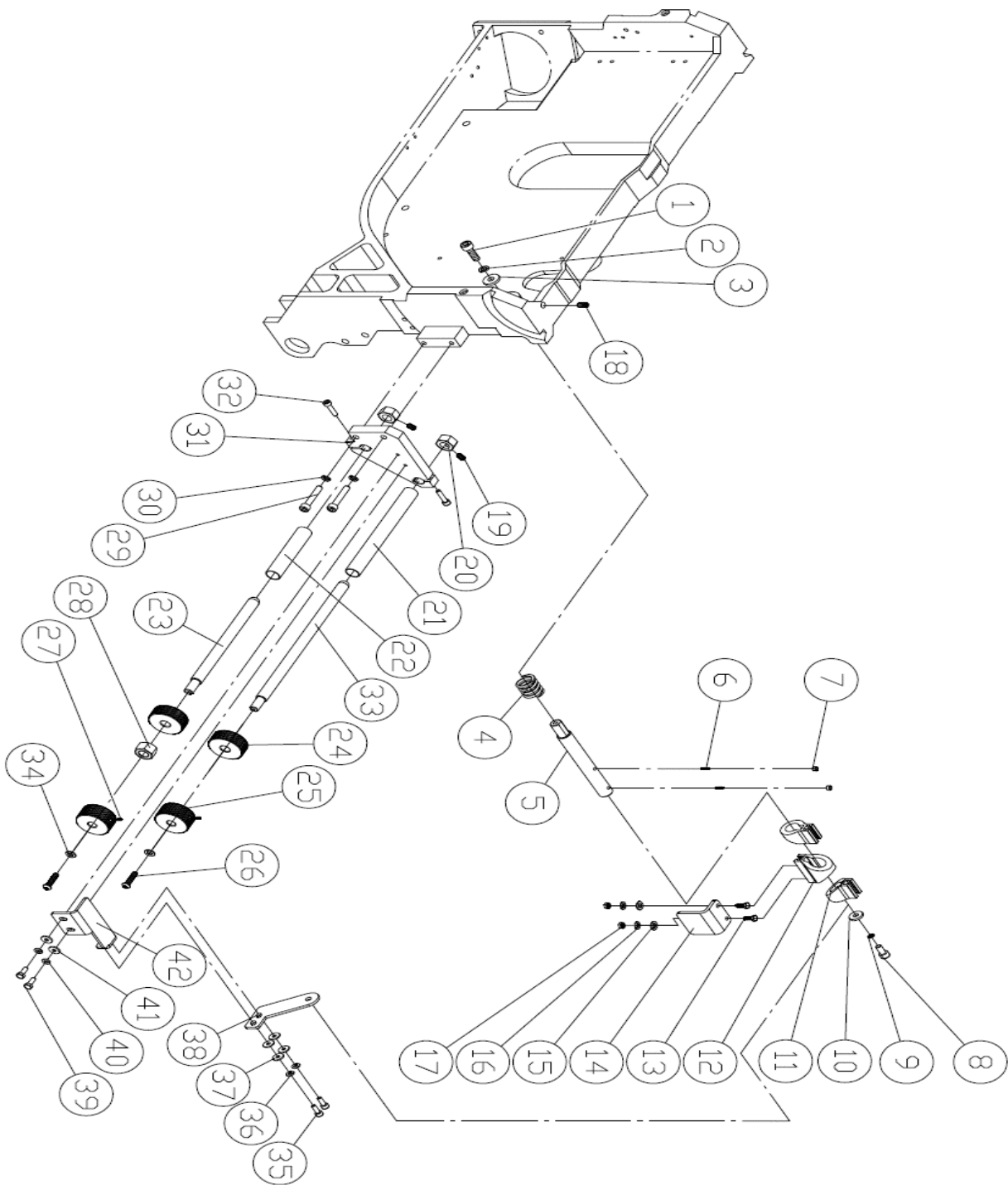
ITEM	PART NO	PART NAME	SIZE	Q`TY	NOTE
1	SR101600	Cap Screw	M10*80	1	
2	205568	Angle Driver		1	
3	NL101700	Lock Nut	M10	1	
4	NH101700	Hex Nut	M10	1	
6	SR120500	Cap Screw	M12*25	1	
7	WS120000	Lock Washer	M12	1	
8	WF123025	Washer	M12* ψ 30	1	
9	208062	Shaft		1	
10	WF061620	Washer	M6* ψ 16	1	
11	WS060000	Lock Washer	M6	1	
12	SR069400	Cap Screw	M6*16	1	
13	SR080200	Cap Screw	M8*10	1	
14	WF081818	Washer	M8* ψ 18	1	
15	208070	Plate		1	
16	WF061320	Washer	M6* ψ 13	2	
17	WS060000	Lock Washer	M6	2	
18	SR069400	Cap Screw	M6*16	2	



ITEM	PART NO	PART NAME	SIZE	Q`TY	NOTE
1	207139	Bar		1	
2	NH142200	Hex Nut	M14	1	
3	208124	Plate		1	
5	SI080500	Counter Sunk Screw	M8*25	2	
6	RS100000	Retaining Ring	S10	1	
7	AB205545	Height Driver		1	A
	205545	Height Driver		1	
	205545-1	Gear		1	
	994657	Switch		1	
8	SR101300	Cap Screw	M10*65	1	
9	NH101700	Hex Nut	M10	1	
10	NH081300	Hex Nut	M8	1	
11	SH080700	Hex Head Bolt	M8*35	1	
12	208125	Plate		1	
13	WS080000	Lock Washer	M8	2	
14	SR080400	Cap Screw	M8X20	2	

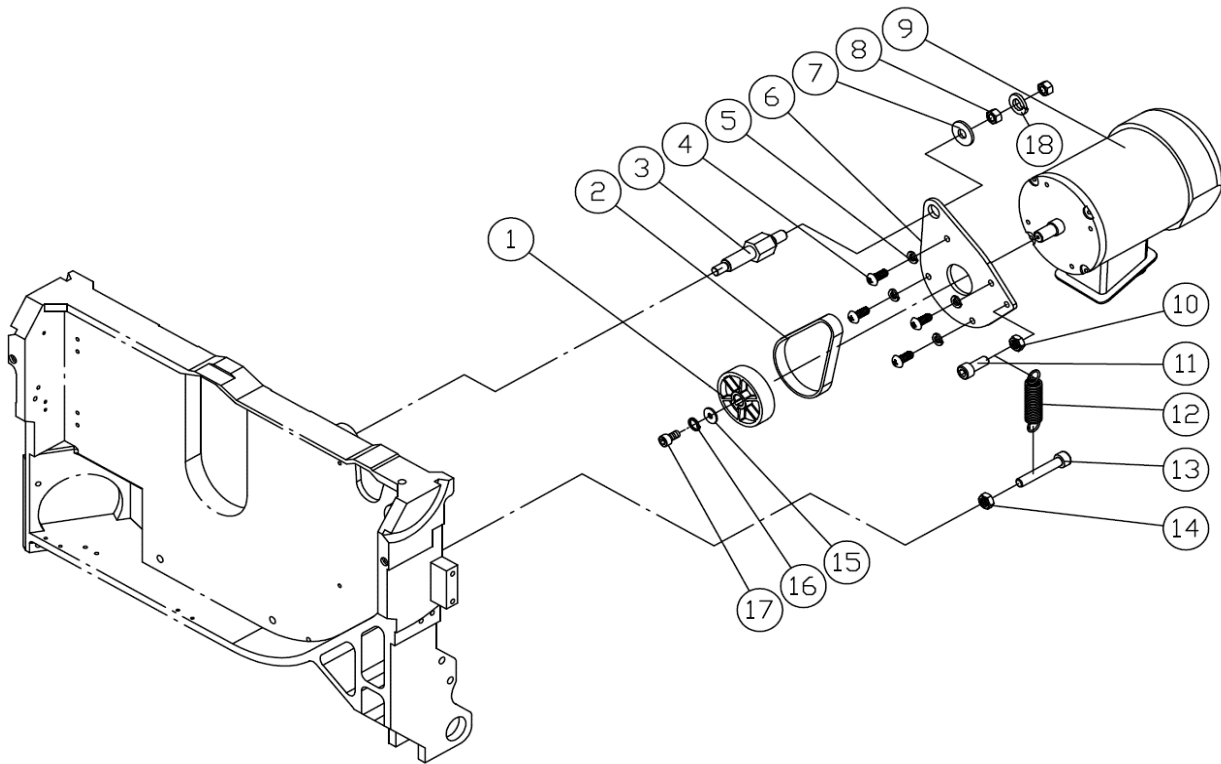


ITEM	PART NO	PART NAME	SIZE	Q'TY	NOTE
1	SH120440	Hex Head Bolt	M12x20	1	
2	206320	Flange		1	
3	206321	Shaft		1	
4	BB600304	Ball Bearing	6003LLB	1	
5	RS150000	Int. Retaining Ring	S15	2	
6	WW263403	Wave Washer	$\psi 26 \times \psi 34 \ t=0.3 \ (6202)$	2	
7	RR350000	Int. Retaining Ring	R35	2	
8	206497	Shaft		1	T
9	WF061310	Washer	M6x13	4	
10	SJ069400	Button Head Screw	M6*16	2	
11	BB620204	Ball Bearing	6202LLB	1	
12	206348A	Pulley		1	
13	PS052500	Pin	$\psi 5 \times 25L$	1	
16	994352	Bushing Bearing	DU2015	2	
17	208119	Fix Plate		1	
19	SI059300	Counter Sunk Screw	M5*12	2	
20	200973	Scoring Saw Blade	$\phi 20$	1	
21	206366	Wrench		1	

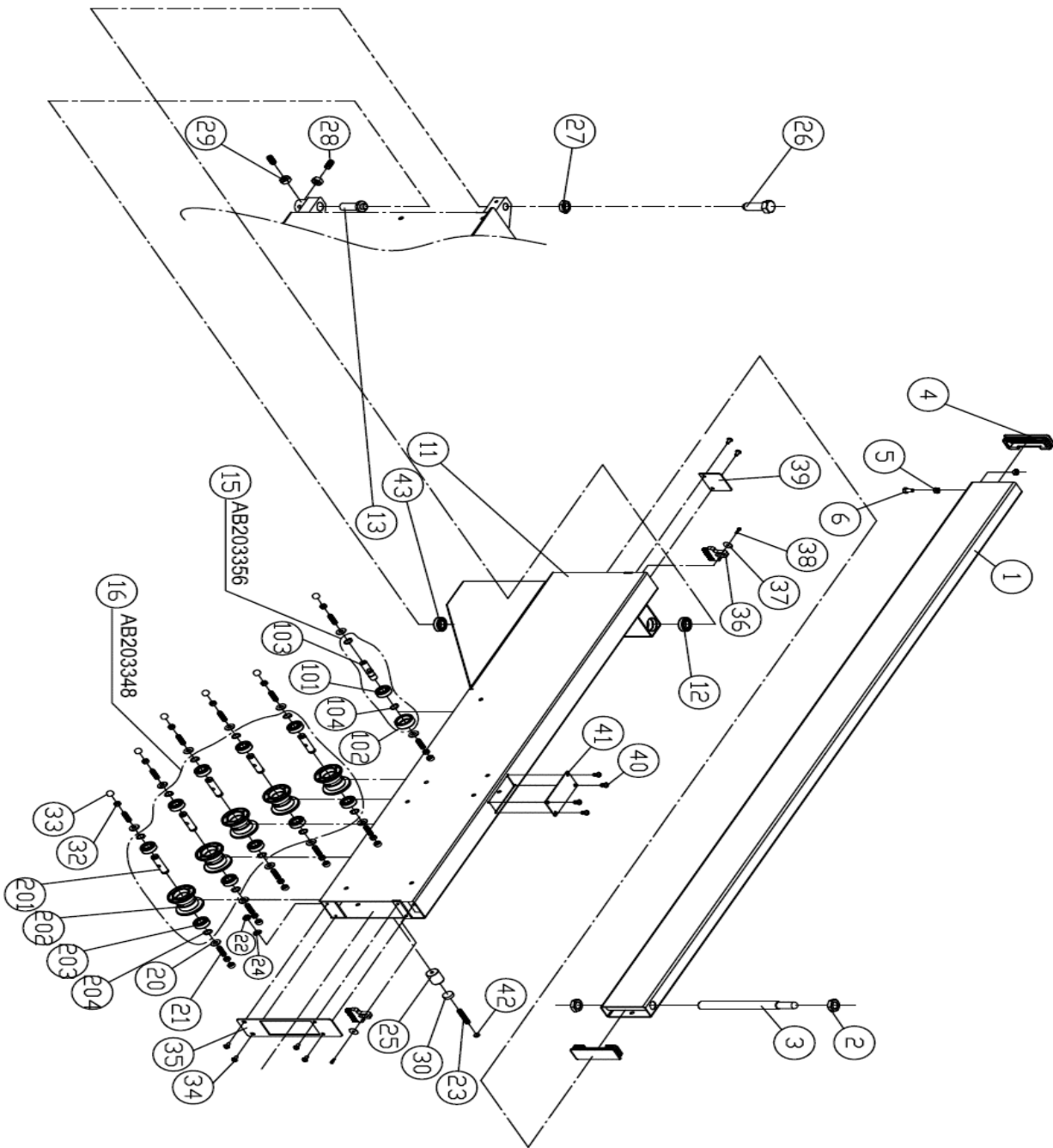


ITEM	PART NO	PART NAME	SIZE	Q`TY	NOTE
1	SH089400	Hex Head Bolt	M8*16	1	
2	WS080000	Lock Washer	M8	1	
3	WF083030	Washer	M8*ψ30	1	
4	206590	Spring		1	
5	208172	Shaft		1	
6	SS069300	Setscrew	M6*12	2	
7	205919	Ring		2	

ITEM	PART NO	PART NAME	SIZE	Q`TY	NOTE
8	SR080400	Cap Screw	M8*20	1	
9	WS080000	Lock Washer	M8	1	
10	WF083030	Washer	M8*ψ30	1	
11	207033	Ring		2	
12	207034	Ring		1	
13	SH069400	Hex Head Bolt	M6*16	2	
14	208120	Fix Plate		1	
15	WF061310	Washer	M6*ψ13	2	
16	WS060000	Lock Washer	M6	2	
17	NH061000	Hex Nut	M6	2	
18	SS080200	Setscrew	M8*10	1	
19	SS060100	Setscrew	M6*5	2	
20	207135	Hex Nut		2	
21	207678	Bushing		1	
22	208171	Bushing		1	
23	207038	Screw Threads		1	
24	207044	Nut		2	
25	207683	Handle		2	
26	SJ069400	Button Head Screw	M6*16	2	
27	SS050200	Setscrew	M5*10	2	
28	NH162400	Hex Nut	M16	1	
29	SR080700	Cap Screw	M8*35	2	
30	WS080000	Lock Washer	M8	2	
31	208115	Block		1	
32	SR060500	Cap Screw	M6*25	2	
33	207675	Screw Threads		1	
34	WF061620	Washer	M6*ψ16	2	
35	SR069400	Cap Screw	M6*16	2	
36	WS060000	Lock Washer	M6	2	
37	WF061620	Washer	M6*ψ16	4	
38	208472	Fix Plate		1	
39	SH069400	Hex Head Bolt	M6*16	2	
40	WS060000	Lock Washer	M6	2	
41	WF061620	Washer	M6*ψ16	2	
42	208473	Fix Plate		1	

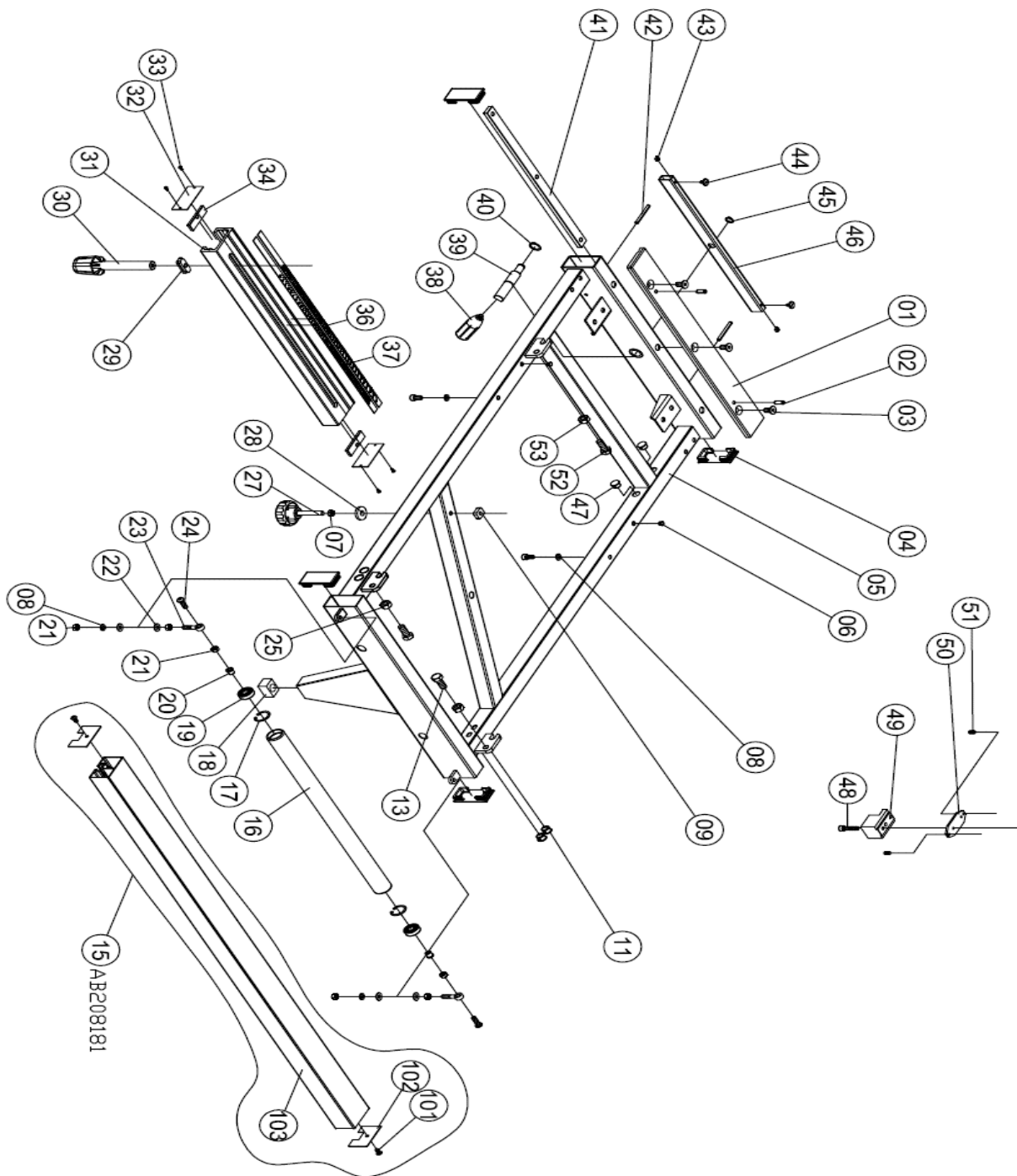


ITEM	PART NO	PART NAME	SIZE	Q'TY	NOTE
1	206627	Pully		1	50Hz
	206336	Pully		1	60Hz
2	LF150020	Belt	18WX380L	1	50Hz/60Hz
3	208184	Shaft		1	
4	SJ080400	Button Head Screw	M8*20	4	
5	WS080000	Lock Washer	M8	4	
6	208185	Plate		1	
7	WF143530	Washer	M14*φ35	1	
8	NH142200	Hex Nut	M14	2	
9	MH206301	Scoring Motor	0.75P (M20P)	1	Feature
10	NH101700	Hex Nut	M10	1	
11	SR100500	Cap Screw	M10*25	1	
12	201275	Expansion Spring		1	
13	SR101400	Cap Screw	M10*70	1	
14	NH101700	Hex Nut	M10	1	
15	WF062325	Washer	M6*φ23	1	
16	WS060000	Lock Washer	M6	1	
17	SR069400	Cap Screw	M6*16	1	
18	WS140000	Lock Washer	M14	1	



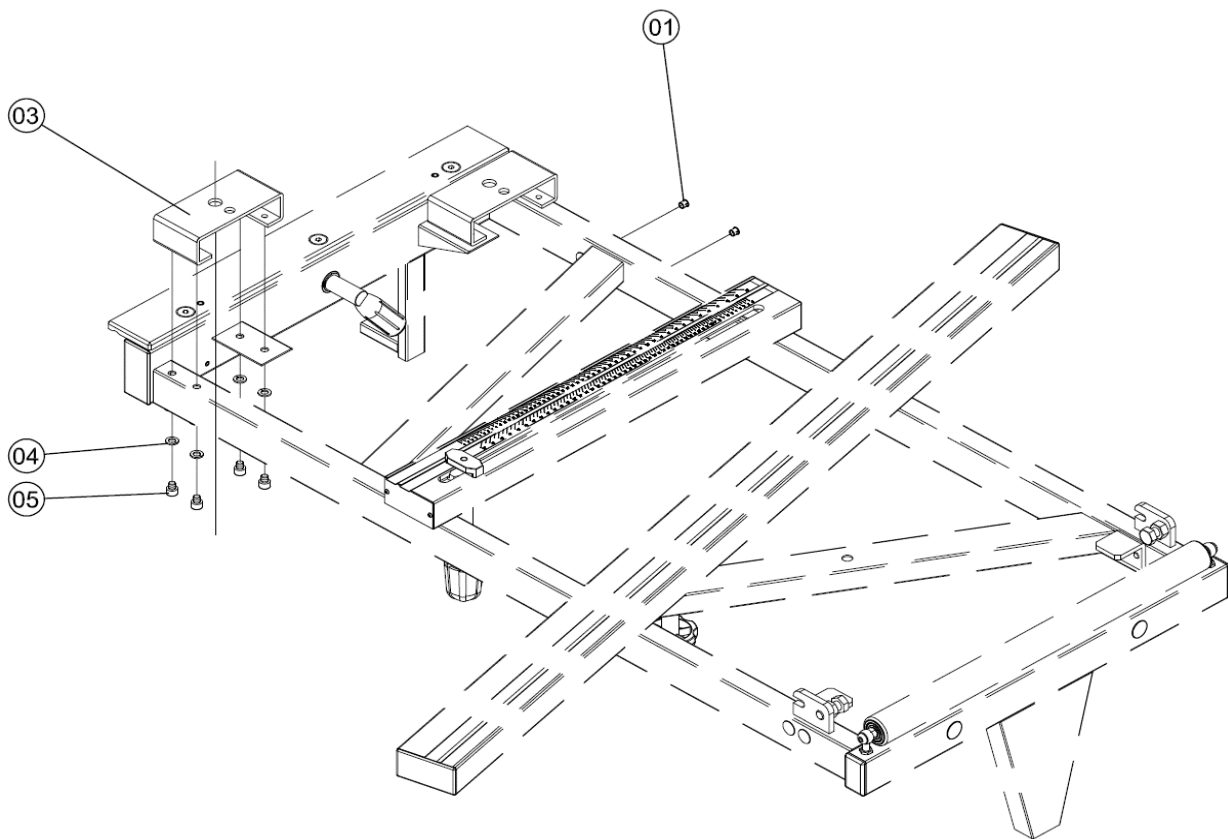
ITEM	PART NO	PART NAME	SIZE	Q`TY	NOTE
1	205208	Sliding Tube		1	
2	203545	Hex Nut	M20	2	
3	205505	Screw Threads	M20	1	
4	203470	Plug	40*120	2	
5	NH081300	Hex Nut	M8	2	
6	SH080400	Hex Head Screw	M8*20	1	
11	207948	Rotary Arm		1	VE
12	BB620203A	Ball Bearing	6202LLU	1	
13	208405	Shaft		1	

ITEM	PART NO	PART NAME	SIZE	Q`TY	NOTE
15	AB203356	Ring Assembly		1	
101	BB620202	Ball Bearing	6202ZZ	1	
102	203356	Ring		1	
103	203357	Shaft		1	
104	RS150000	Retaining Ring	S15	2	
16	AB203348	Roller Assembly		5	
201	203349	Shaft		1	
202	203348	Roller		1	
203	BB620202	Ball Bearing	6202ZZ	2	
204	RS150000	Retaining Ring	S15	2	
20	WF081818	Washer	M8* ψ 18	8	
21	SS080600	Set Screw	M8*30	8	
22	NH050800	Hex Nut	M5	1	
23	SI051100	Counter Sunk Screw	M5*55	1	
24	WS050000	Spring Washer	M5	1	
25	206646A	Magnetic Bracket	22MM	1	NOV
	206646	Magnetic Bracket	40MM	1	
26	208408	Bolt		1	
27	203545	Hex Nut	M20	1	
28	SS100400	Set Screw	M10*20	4	
29	NH101700	Hex Nut	M10	4	
30	206647	Magnet		1	
32	NH081300	Hex Nut	M8	8	
33	207582	Cover	13mm	8	
34	SJ060200	Button Head Screw	M6*10	6	
35	207085	Cover		1	VE
36	135051-A	Brush		2	
37	WF061310	Washer	M6*13	2	
38	SR060400	Cap Screw	M6*20	2	
39	207084	Plate		1	VE
40	SJ059200	Button Head Screw	M5*8	4	
41	207528	Plate		1	VE
42	204257	Pad		1	
43	994260	Roller Bearing	30202	1	

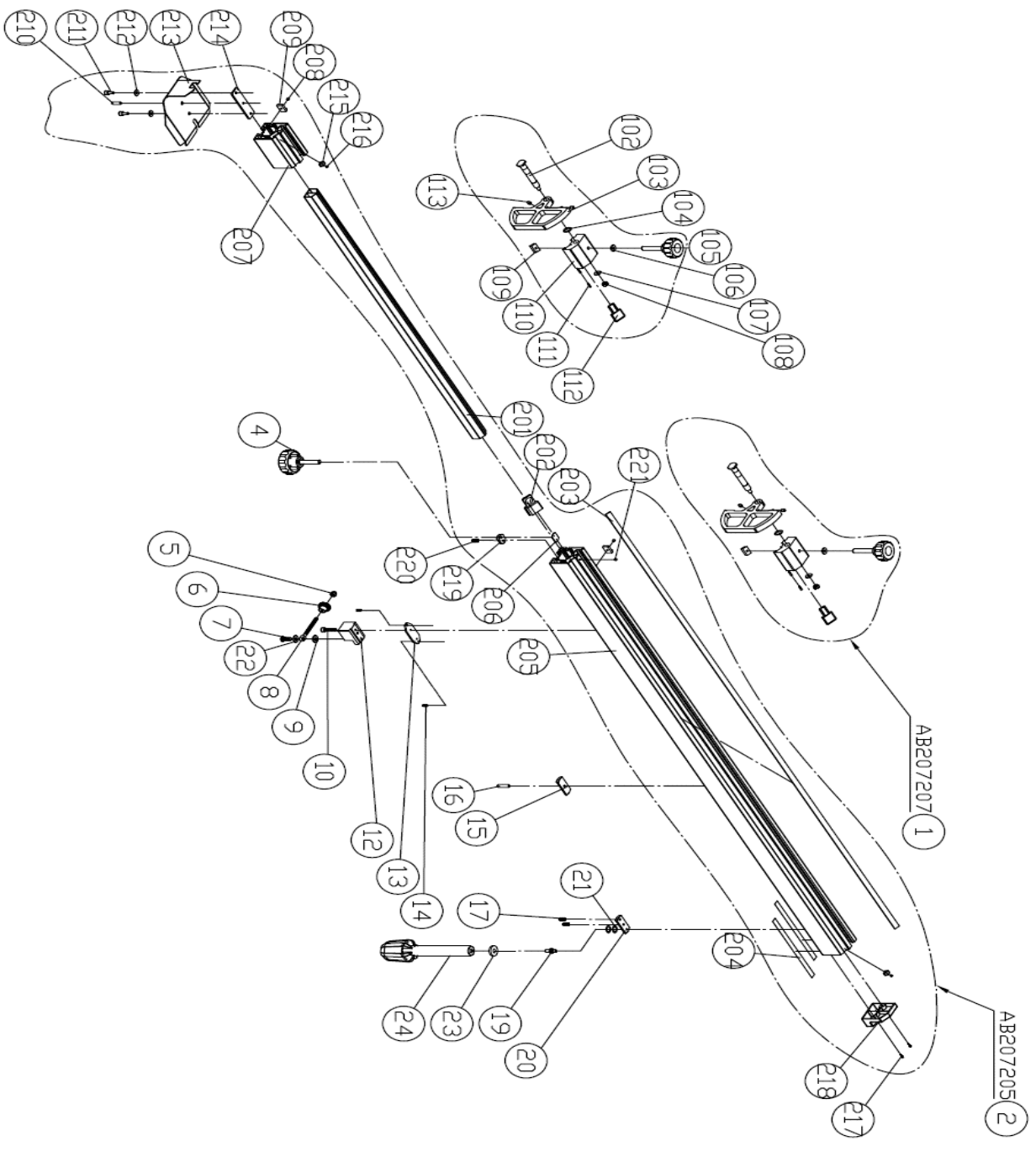


ITEM	PART NO	PART NAME	SIZE	Q`TY	NOTE
1	203116	Fixed Plate		1	
2	PS082000	Spring Pin	$\psi 8 \times 20$	2	
3	S1100400	Counter Sunk Screw	M10x20	3	
4	200910	Plug	40x80	4	
5	203979	Frame		1	R
6	201576	Hole Plugs	HP-09	2	
7	NH081300	Hex Nut	M8	1	
8	WS080000	Lock Washer	M8	4	
9	201103	T-Nut	M8x1.25p	1	

ITEM	PART NO	PART NAME	SIZE	Q`TY	NOTE
11	203284	Hole Plugs	HP-19	4	
13	SH120801	Screw	M12x1.25x40	2	
15	AB208181	Square Brace		1	
101	ST040200	Tap Screw	#8x3/8"	2	
102	208196	Cover		2	
103	208181	Square Brace		1	
16	203302	Roller		1	
17	RR320000	Retaining Ring	R32	2	
18	203094	Plug		1	
19	BB620103A	Ball Bearing	6201LLU	2	
20	017058	Bearing		2	
21	NH081300	Hex Nut	M8	6	
22	WF081818	Washer	M8x18	4	
23	201542	Eye Bolt	M8x40	2	
24	SJ080500	Button Head Screw	M8x25	2	
25	NH121901	Nut	M12	2	
28	WF083020	Washer	M8	1	
29	203122	Block		1	
30	203128	Handle		1	
31	203855	Pipe		1	X7
32	203856	Plate		2	
33	SJ039200	Button Head Screw	M3x8	4	
34	203121	Fixed Block		2	
36	207924-2	Ruler		1	
37	207924-1	Ruler		1	
38	203719	Knob		1	
39	203114	Eccentric Shaft		1	
40	RS200000	Retaining Ring	S20	1	
41	203288	Fixed Block		1	
42	PS066000	Spring Pin	ψ6×60	2	
43	NS050800	Square Nut	M5	2	
44	203110	Screw	M5x10	2	
45	RS140000	Retaining Ring	S14	1	
46	203109	Square Pipe		1	
47	203230	Hole Plugs	HP-16	2	
48	SR060800	Cap Screw	M6*40	1	
49	207219	Fixed Block		1	
50	207220	Plate		1	
51	SS069100	Setscrew	M6*6	2	
52	SH120801	Screw	M12x1.25x40	1	
53	NH121901	Nut	M12	1	

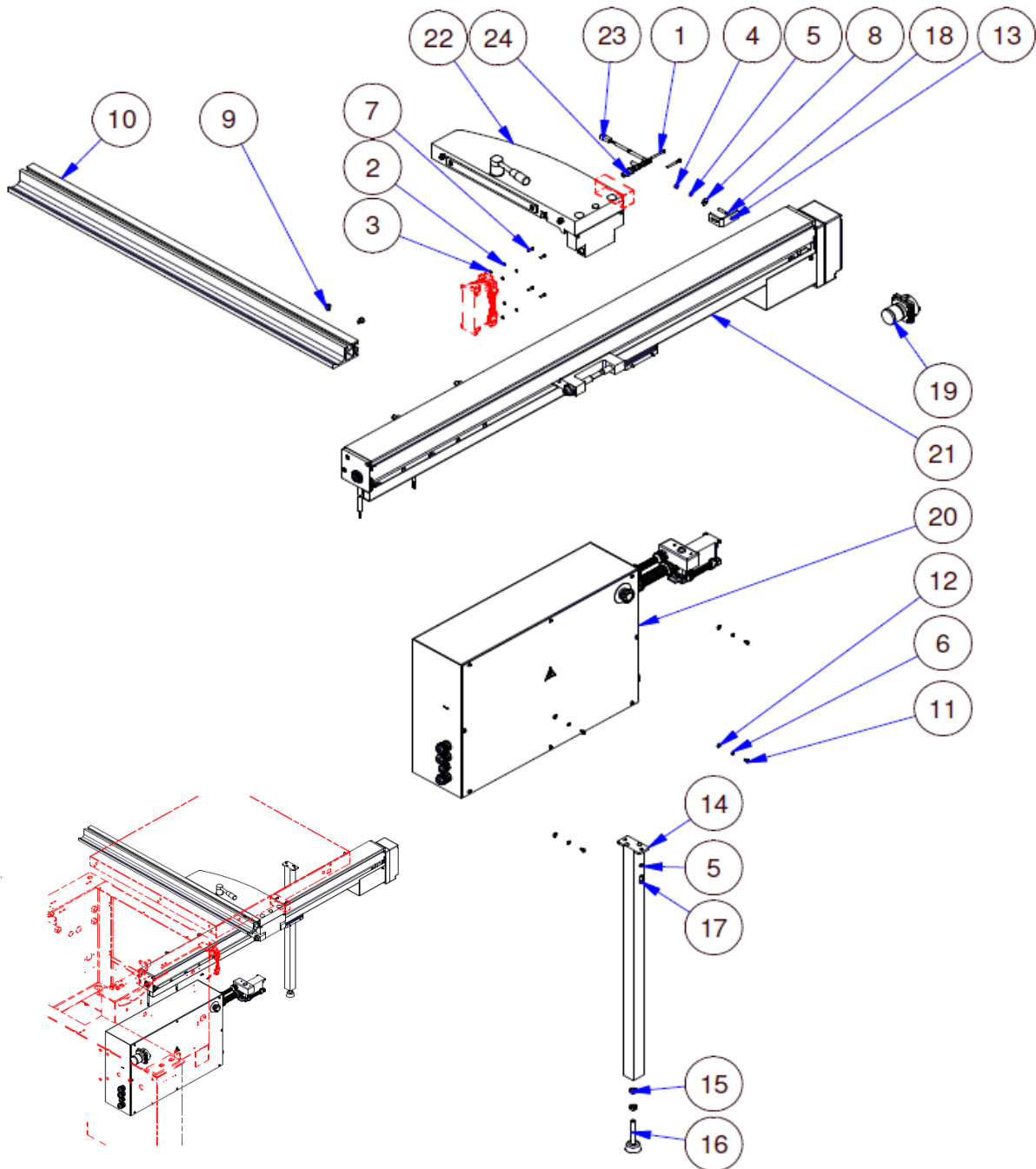


ITEM	PART NO	PART NAME	SIZE	Q'TY	NOTE
1	201576	Hole Plugs	HP-09	2	
3	207734	Fixed Plate		2	R
4	WS080000	Lock Washer	M8	8	
5	SR080200	Cap Screw	M8x10	8	



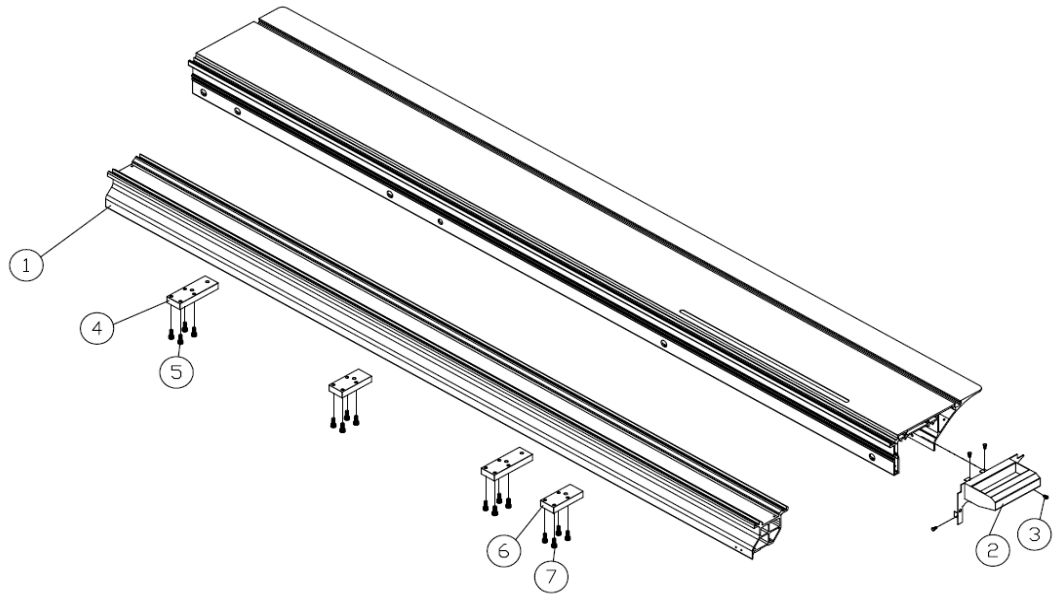
ITEM	PART NO	PART NAME	SIZE	Q`TY	NOTE
1	AB207207	Flip Stop Assembly		2	A
102	207203	Shaft		1	
103	207207	Flip Stop		1	
104	207208	Washer		1	
105	207263	Knob	M8x1.25px42L	1	
106	200472	Washer	M8x20x1	1	
107	WF081818	Washer	M8x18	1	
108	207235	Nut	M8	1	
109	207200	Nut		1	
110	207201	Stop Bracket		1	
111	207223	Pipe		2	
112	207202	Magnifier		1	
113	203286	Set Screw	M8*10	2	
2	AB207205A	Ext. Fence Assembly		1	S,A
	AB207205	Ext. Fence Assembly		1	S , A
201	207212-1	Extended Tube		1	S
	207212	Extended Tube		1	S
202	207213	Magnifier		1	
203	207216-1	Rule		1	S
	207216	Rule		1	S
204	205544	Wearing Tape	875x15	0.5	
205	207205-1	Ext. Fence		1	
206	207884	Sheet		1	
207	207205-2	Ext. Fence		1	
208	SS069100	Setscrew	M6x6	2	
209	207211	Stop Block		2	
210	SS080500	Setscrew	M8x25	1	
211	SR089400	Cap Screw	M8x16	2	
212	WF083020	Washer	M8x30x2T	2	
213	207210	Locate Plate		1	
214	207209	Plate		1	
215	207204	Nut		2	
216	SS050100	Setscrew	M5x5	2	
217	ST049200	Tap Screw	M4x8	2	
218	207851	Rotate Block		1	
219	207222	Block		1	
220	SS089300	Setscrew	M8*12	1	
221	SS0591003	Setscrew	M5x6	1	
4	200827	Knob	M8x1.25px40L	1	H
5	NA081300	Nut	M8	1	
6	203790	Knob	M8*1.25p	1	

ITEM	PART NO	PART NAME	SIZE	Q`TY	NOTE
7	SJ080400	Button Head Screw	M8*20	1	
8	203598	Screw	M8*1.25p	1	
9	WF081818	Washer	M8*ψ18	1	
10	SR060800	Cap Screw	M6*40	1	
12	207219	Fixed Block		1	
13	207220	Plate		1	
14	SS069100	Setscrew	M6*6	2	
15	207218	Fixed Block		1	H
16	SS080700	Setscrew	M8*35	1	H
17	SS089300	Setscrew	M8*12	2	H
19	206633	Rotate Shaft		1	H
20	207737	Fixed Block		1	H
21	200069	Fiber Washer	10x18	2	H
22	992601	Copper Washer	8*16*0.2	1	
23	WF083030	Washer	M8x30	1	H
24	203128	Handle		1	H

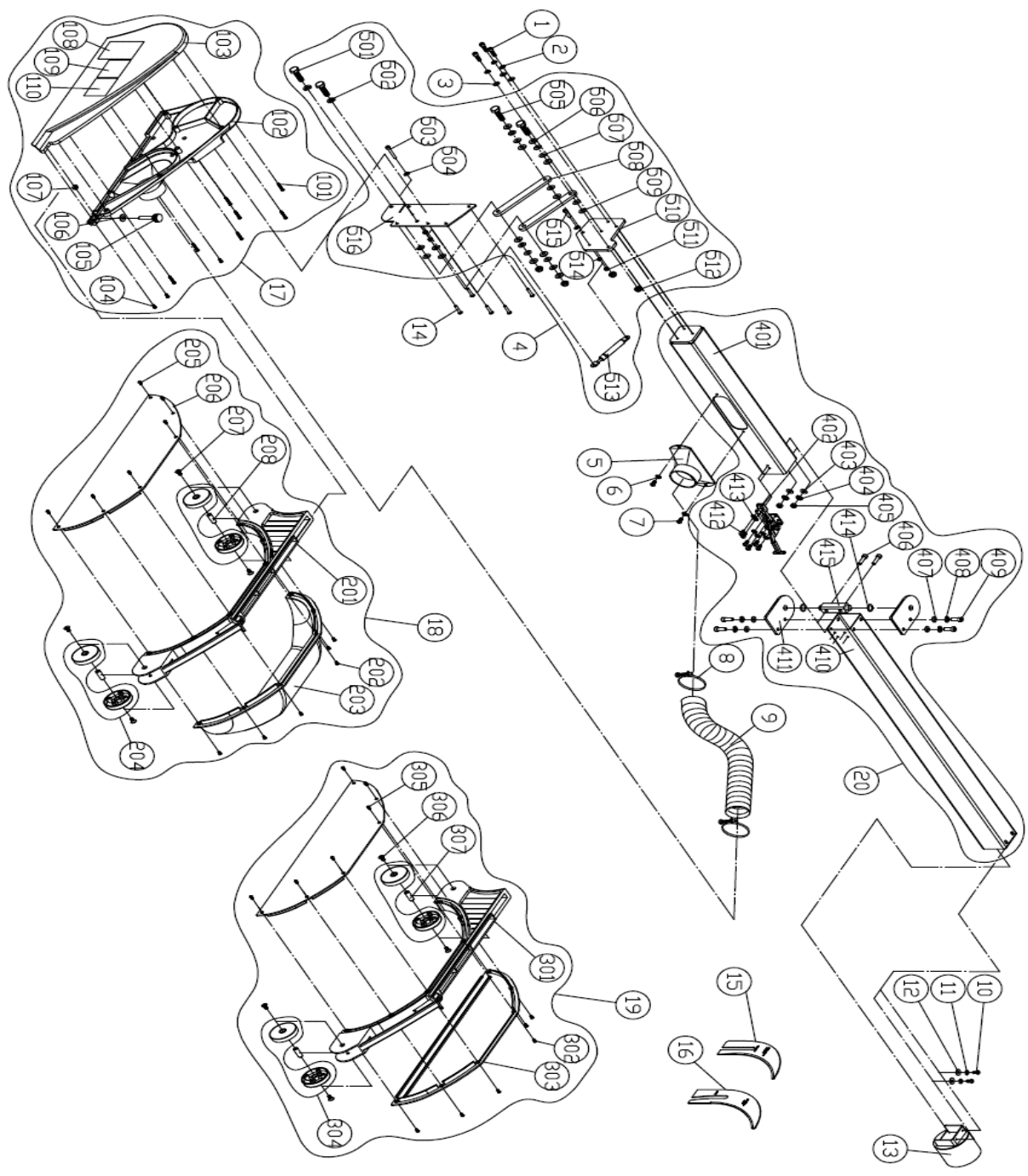


ITEM	PART NO.	PART NAME	SIZE	Q`TY	NOTE
0010	SP050910	Pan Head Screw	M5*0.8*45	2	
0020	WS040000	Spring Washer	M4	4	
0030	WF040808	Flat Washer	M4*φ8	4	
0040	NH061000	Nut	M6	1	
0050	WS060000	Spring Washer	M6	3	
0060	WS050000	Spring Washer	M5	4	
0070	SR049300	Hex. Socket Screw	M4*0.7*12	4	
0080	WF061920	Flat Washer	M6xφ19	1	
0090	SR089200	Hex. Socket Screw	M8*1.25*8	2	
0100	203191	Stop Plate		1	
0110	SR059200	Hex. Socket Screw	M5*0.8*8	4	
0120	WF051210	Flat Washer	M5*φ12	4	
0130	207776	Fixed Plate		1	
0140	205936	Ext. Table Stand		1	R
0150	NH121904	Nut	M12*1.75*6t	2	
0160	201544	Adjust Pad	M12x75mm	1	
0170	SR069400	Hex. Socket Screw	M6*1*16	2	
0180	SS060600	Set Screw	M6*1*30	1	
0190	AB994809-4		SS-A405A3	1	3~50HZ
0200	AB208541B	Electric Control Box Asm.		1	
0210	AB208331A	Electric Rip Fence Transmission Asm.		1	R
0220	AB203131	Electric Rip Fence Seat Asm.		1	GK
0230	IC205107	Proximity Switch Signal Wire	22AWGx4Cx0.3M	1	
0240	203184	Proximity Switch	PM12-02PB-M12	1	
Notice: Following parts are optional, and not in the diagram.					
9190	AB994865-3	Power Switch Asm.	(7.5HP)	1	3~60HZ
9191	AB994865-2		SS-A405A3. (10HP)	1	3~60HZ

2395160D
2395250D
2395320D

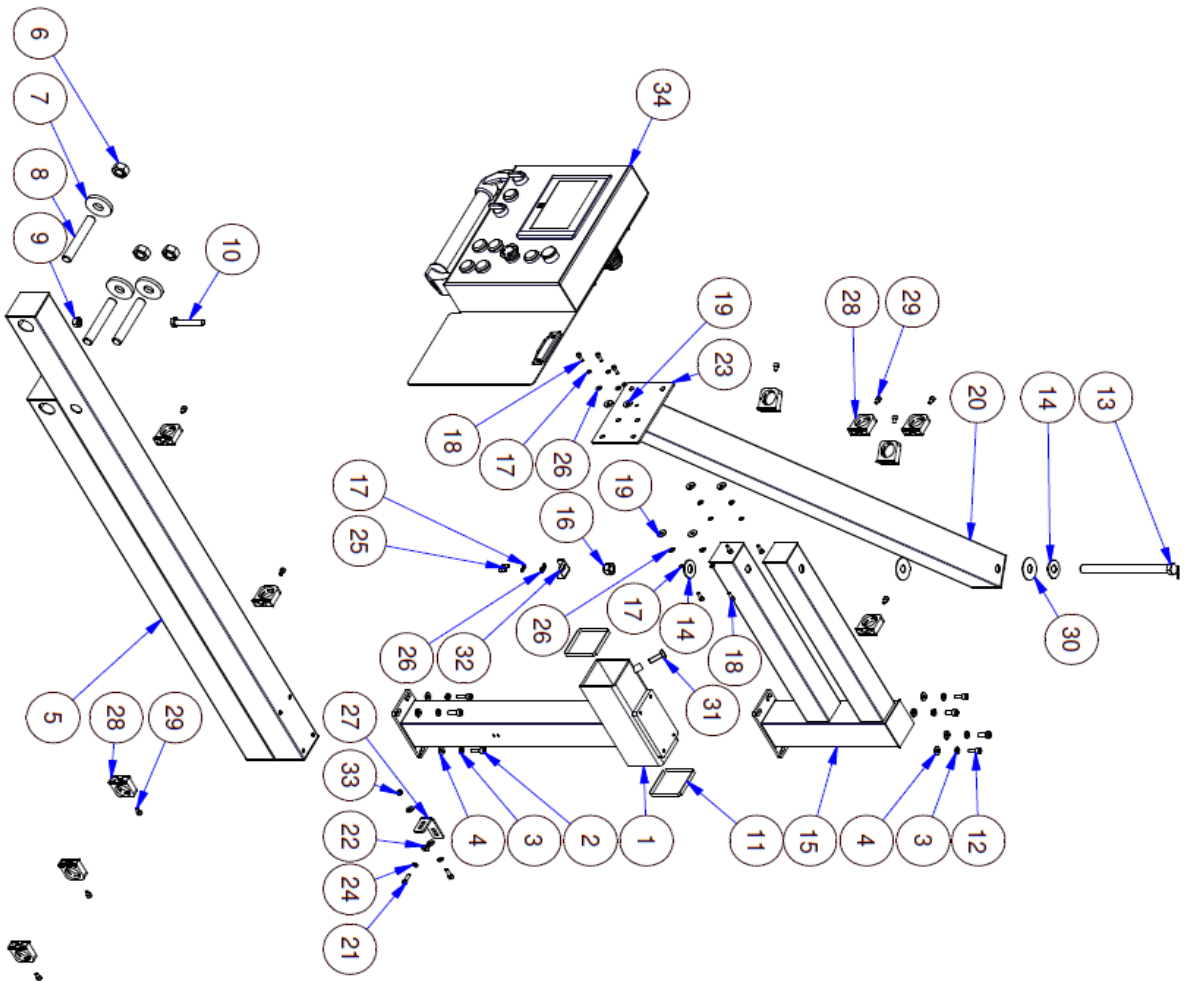


ITEM	PART NO	PART NAME	SIZE	Q`TY	NOTE
1	2395160D	Table	395x1600mm	1	S
	2395250D	Table	395x2500mm	1	S
	2395320D	Table	395x3200mm	1	
2	203423	Hander		1	T3
3	SH050200	Hex Head Bolt	M5*10	4	
4	203520	Fixed Block		2	
5	SR080500	Cap Screw	M8*25	8	
6	205246	Fixed Block		2	
7	SR080500	Cap Screw	M8*25	8	

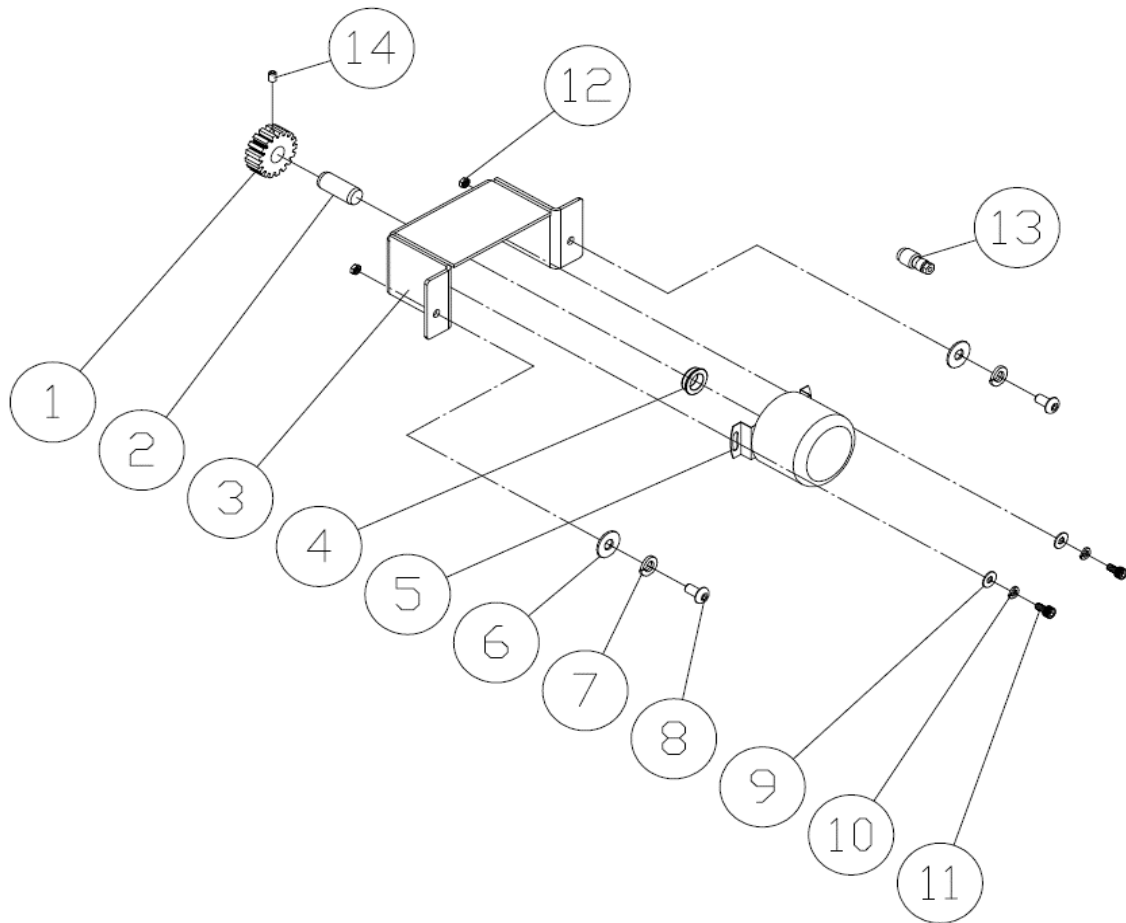


ITEM	PART NO	PART NAME	SIZE	Q`TY	NOTE
1	SR060400	Cap Screw	M6*20	3	H
2	WS060000	Lock Washer	M6	3	H
3	WF061920	Washer	M6*ψ19	3	H
4	AB207981	Link ASM		1	
501	SH100700	Hex Head Bolt	M10*35	2	
502	WS100000	Lock Washer	M10	2	
503	SR060900	Cap Screw	M6*45	1	
504	WS060000	Lock Washer	M6	2	
505	SH100700	Hex Head Bolt	M10*35	2	
506	WF102020	Washer	M10*ψ20	8	
507	204263	Washer	ψ10×ψ20	8	
508	207981	Link		2	
509	992609	Copper Washer	ψ20×ψ10×0.5t	8	
510	207987	Fixed Plate		1	
511	NL061000	Lock Nut	M6	3	
512	NL101700	Lock Nut	M10	4	
513	205004	Gas Expansion Cylinder		1	
514	NH061000	Hex Nut	M6	1	
515	SR060500	Cap Screw	M6*25	1	
516	207985	Fixed Plate		1	
5	204061	Dust Port		1	
6	WS060000	Lock Washer	M6	2	H
7	SJ069300	Cap Screw	M6*12	2	H
8	204158	Hose Clamp	3-1/4"	2	
9	HS330004	Hose	ψ3"x42cm	1	
10	SJ069300	Cap Screw	M6*12	2	
11	WS060000	Lock Washer	M6	2	
12	WF061920	Washer	M6*ψ19	2	
13	206390	Dust Port		1	R
14	SJ060600	Button Head Screw	M6*30	5	
15	205073	Plate	φ300~350	1	
16	205032	Plate	φ350~400	1	S
17	AB207866	Rear Cover ASM		1	
101	ST030500	Tap Screw	M3.5x25	7	
102	207866	Rear Cover		1	
103	207865	Front Cover		1	
104	ST040200	Tap Screw	M4x10	3	
105	207882	Knob		1	
106	WF081818	Washer	M8x18	1	
107	NH081300	Hex Nut	M8	1	
108	LM207031	Warning Label		1	

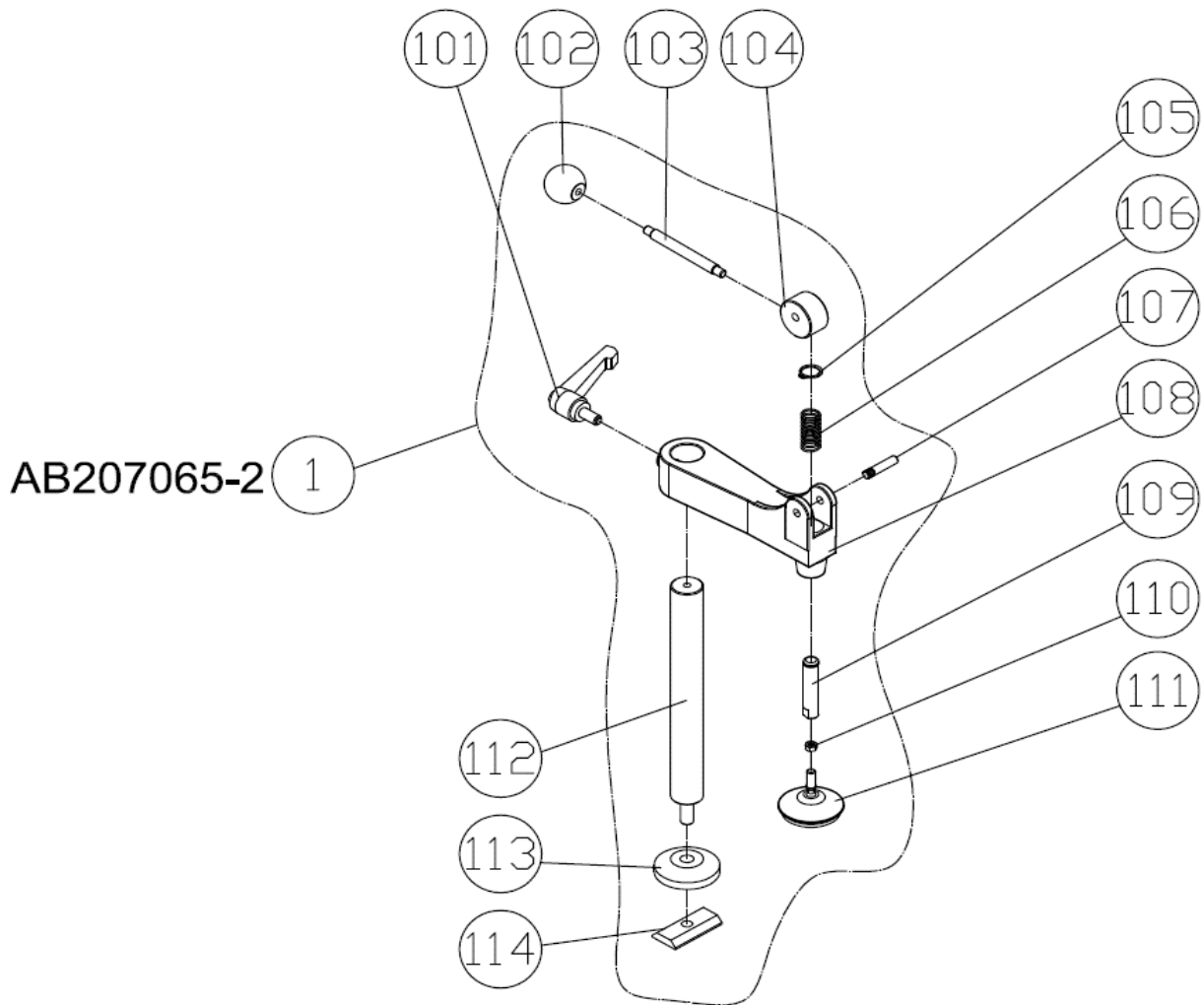
ITEM	PART NO	PART NAME	SIZE	Q`TY	NOTE
109	LM207032	Warning Label		1	
110	LM207033	Warning Label		1	
18	AB205355	Protection Hood ASM		1	
201	207867	Guard		1	
202	SP040200	Pan Head Screw	M4*10	6	
203	205355	Protection Hood		1	
204	AB207868	Roller ASM		2	
205	SP040200	Pan Head Screw	M4*10	6	
206	205356	Protection Hood		1	
207	SI060200	Counter Sunk Screw	M6*10	4	
208	207883	Shaft		2	
19	AB205356	Protection Hood ASM		1	S
301	207867	Guard		1	
302	SP040200	Pan Head Screw	M4*10	6	
303	205356	Protection Hood		2	
304	AB207868	Roller ASM		2	
305	SP040200	Pan Head Screw	M4*10	6	
306	SI060200	Counter Sunk Screw	M6*10	4	
307	207883	Shaft		2	
20	AB207970	Elbow Type Clamp ASM		1	R
401	207970	Arm		1	R
402	205358	Elbow Type Clamp		1	
403	WF081818	Washer	M8x18	2	
404	WS080000	Lock Washer	M8	2	
405	NH081300	Hex Nut	M8	2	
406	SR080600	Cap Screw	M8x30	2	
407	WF081818	Washer	M8x18	4	
408	WS080000	Lock Washer	M8	4	
409	SR080500	Cap Screw	M8x25	4	
410	207971	Square Tube		1	R
411	207973	Plate		2	R
412	SJ060200	Cap Screw	M6x10	6	
413	WS060000	Lock Washer	M6	6	
414	992627	Copper Washer	ψ24*ψ16*0.3t	2	
415	207975	Shaft		1	



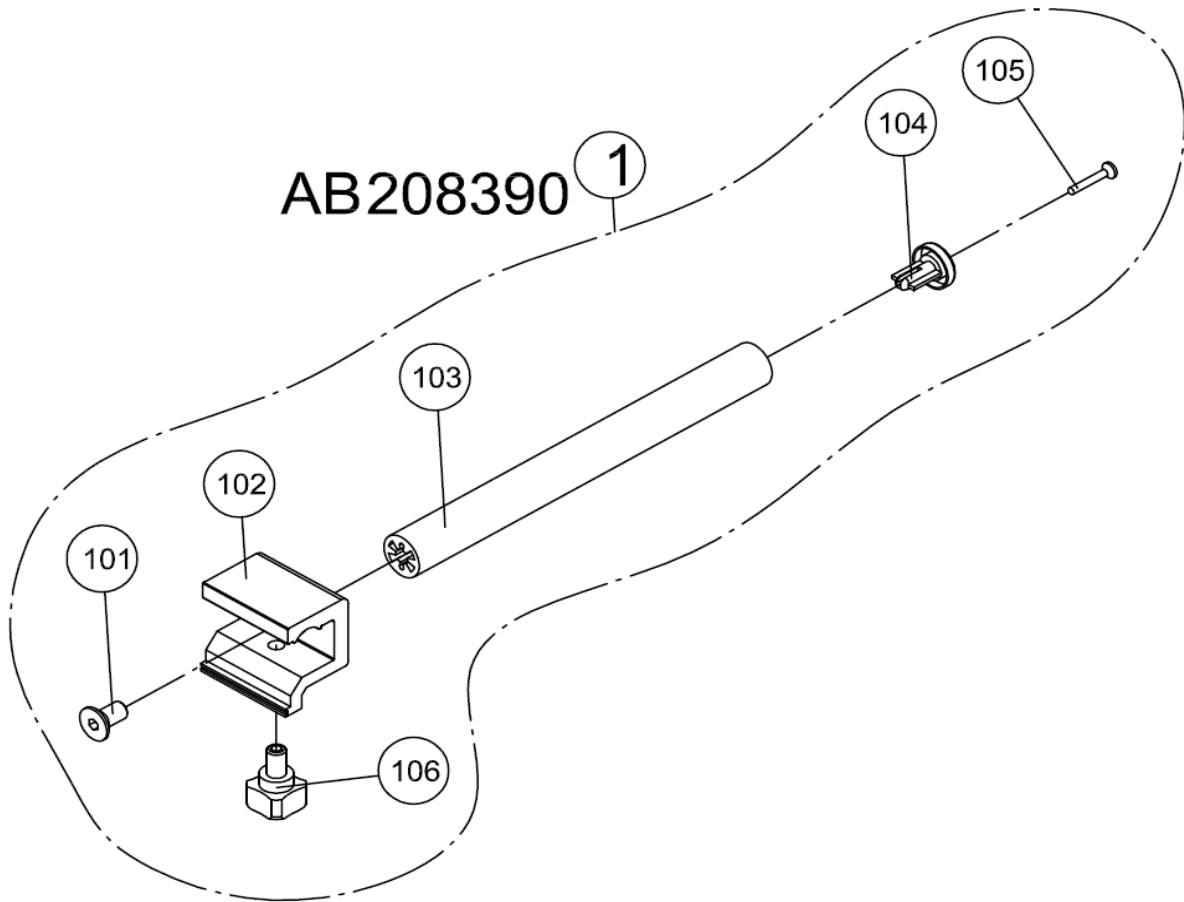
ITEM	PART NO.	PART NAME	SIZE	Q`TY	NOTE
0010	207770	Support Tube		1	R
0020	SR080500	Hex. Socket Screw	M8*1.25*25	4	
0030	WS080000	Spring Washer	M8	8	
0040	WF081818	Flat Washer	M8*φ18*t1.8	8	
0050	207774	Support Frame		1	R
0060	NH203000	Nut	M20*2.5*t16mm	3	
0070	203338	Washer		3	
0080	205116	Thread Rod	M20*130	3	
0090	NH121900	Nut	M12*1.75*10t	1	
0100	SH121400	Hex. Head Screw	M12*1.75*70	1	
0110	201039	Asbestos Gasket	70mm	8	
0120	SR080400	Hex. Socket Screw	M8*1.25*20	4	
0130	SH609003	Hex. Head Screw	5/8"x11UNCx9"	1	
0140	WF164030	Flat Washer	M16*φ40*t3	2	
0150	207769	Support Tube		1	R
0160	NL602400	Nylon Nut	5/8"x11UNC	1	
0170	WS050000	Spring Washer	M5	9	
0180	SR059400	Hex. Socket Screw	M5*0.8*16	7	
0190	WF061920	Flat Washer	M6xφ19	6	
0200	207771	Support Frame		1	R
0210	SR060400	Hex. Socket Screw	M6*1*20	2	
0220	WF061620	Flat Washer	M6*φ16	3	
0230	207772	Fixed Plate		1	R
0240	WS060000	Spring Washer	M6	2	
0250	SR050200	Hex. Socket Screw	M5*0.8*10	2	
0260	WF051210	Flat Washer	M5*φ12	8	
0270	207776	Fixed Plate		1	
0280	998807	Tube Fixed Seat	N-TH-34B	10	
0290	SR060200	Hex. Socket Screw	M6*1*10	10	
0300	205904	Washer		2	
0310	SH100600	Hex. Head Screw	M10*30	1	
0320	207875	Locate Plate		1	
0330	NH061000	Nut	M6	1	
0340	AB208519	Operation Control Box Asm.		1	R



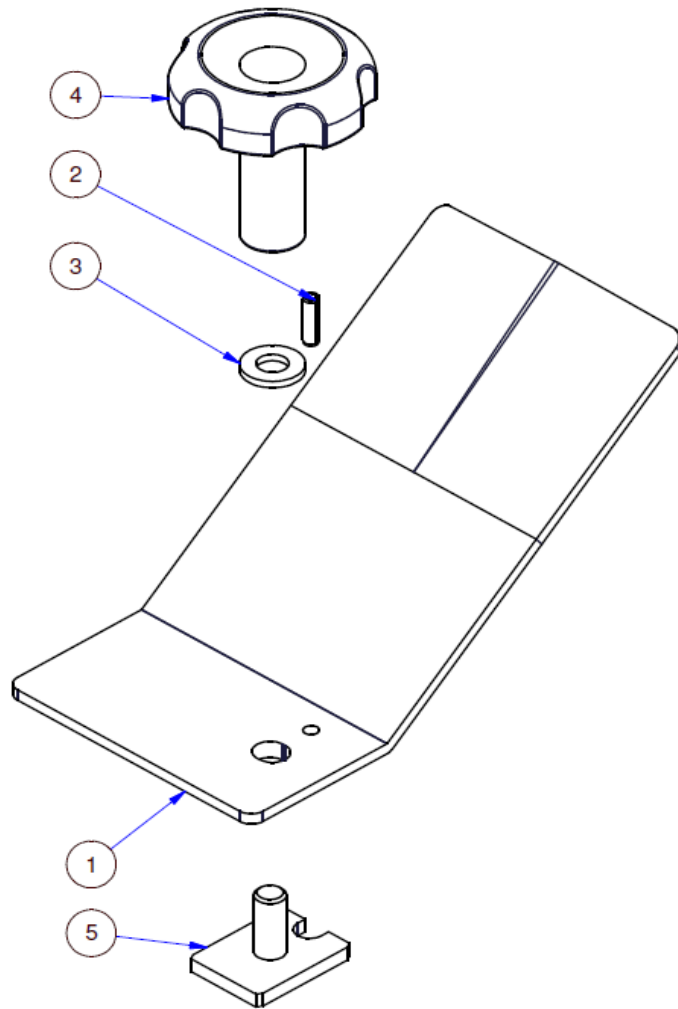
ITEM	PART NO	PART NAME	SIZE	Q`TY	NOTE
1	203017	Gear Wheel		1	
2	PP103000	Pin	$\psi 10 \times 30$	1	
3	210055	Encoder Fixed Plate		1	
4	206454	Encoder Shaft Ring		1	
5	203154	Encoder		1	
6	WF061920	Washer	M6* $\psi 19$	2	
7	WS060000	Lock Washer	M6	2	
8	SJ069400	Button Head Screw	M6*16	2	
9	WF030605	Washer	M3* $\psi 6$	2	
10	WS030000	Lock Washer	M3	2	
11	SR039100	Cap Screw	M3*6	2	
12	NH061000	Hex Nut	M6	2	
13	205164	Connection	16-5P	1	
14	SS0491003	Set Screw	M4*6	1	



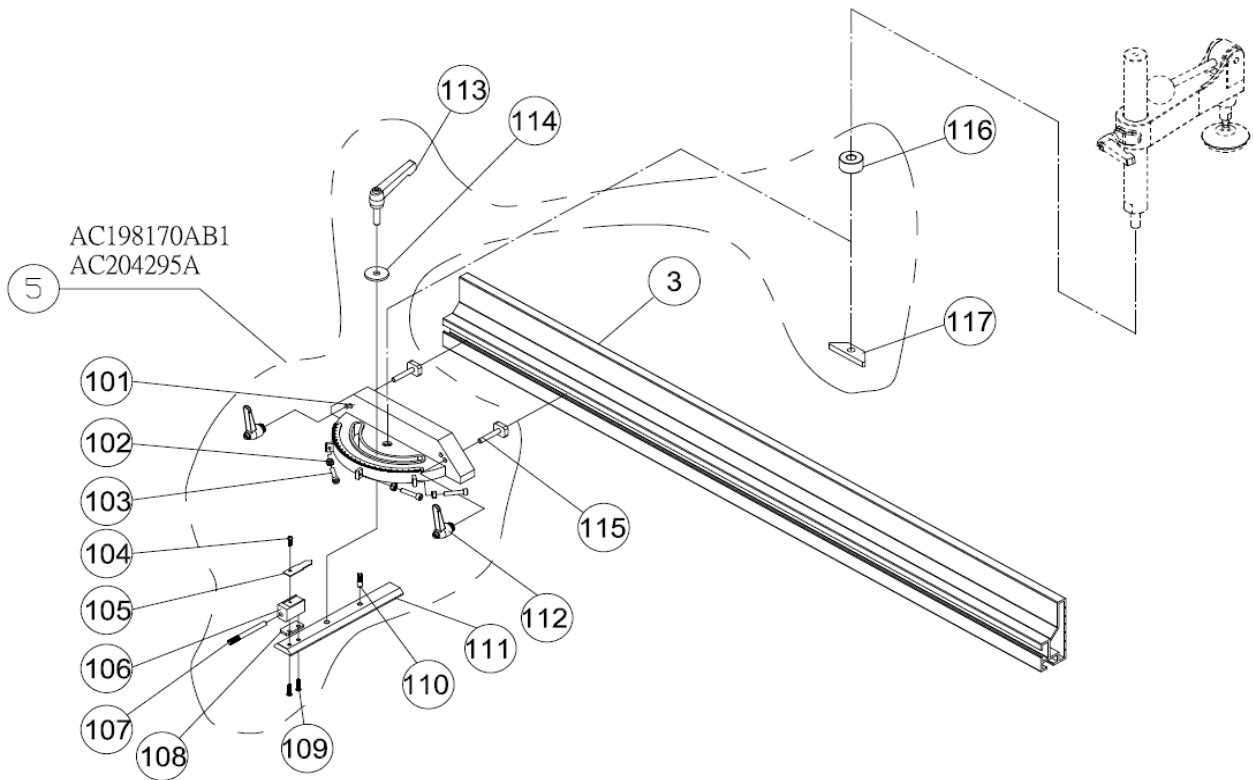
ITEM	PART NO	PART NAME	SIZE	Q'TY	NOTE
1	AB207065-2	Down Press ASM		1	D,E,M
101	207143	Adjust Handle		1	
102	100271	Ball Knob	M8xP1.25	1	
103	207070	Handle Bar		1	
104	207067	Cam		1	
105	RS140000	Ext. Retaining Ring	S14	1	
106	207069	Spring		1	
107	207145	Pin		1	
108	207065	Down Press		1	
109	207068	Shaft		1	
110	NH602300	Hex Nut	5/16	1	
111	200807	O		1	
112	205253	Shaft		1	
113	200809	Washer		1	
114	205830	T-Nut	AB207065	1	



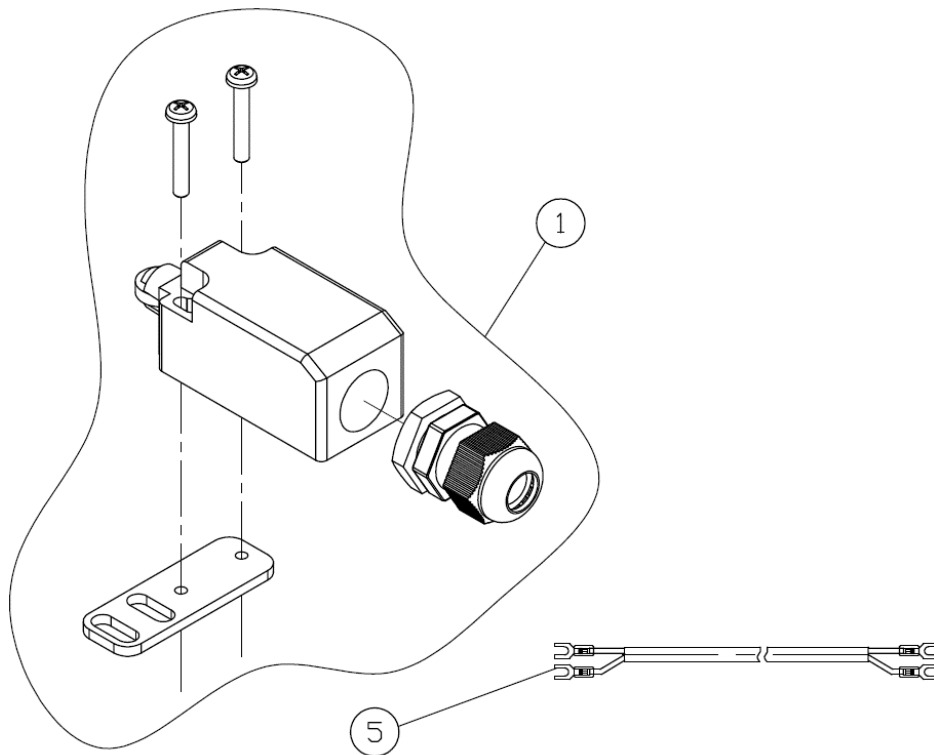
ITEM	PART NO	PART NAME	SIZE	Q`TY	NOTE
1	AB208390	Block		1	
101	S1100400	Counter Sunk Screw	M10*20	1	
102	208390-1	Block		1	
103	208390-2	Handle		1	
104	208390-3	Hole Plugs		1	
105	ST040600		M4*30	1	
106	208390-4	Knob	M10*16	1	



ITEM	PART NO	PART NAME	SIZE	Q`TY	NOTE
1	201830	EDGE SHOE PLATE		1	
2	PS051800	SPINT PIN	$\phi 5 \times 18$	1	
3	WF102025	FLAT WASHER	M10* $\phi 20 \times 2$	1	
4	203718	KNOB		1	
5	201829	T-NUT	M10x1.5p	1	

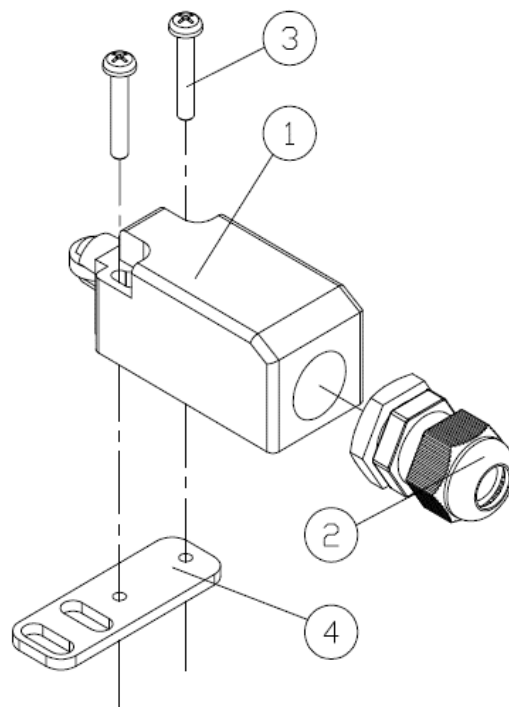


ITEM	PART NO	PART NAME	SIZE	Q'TY	NOTE
3	200526	Fence Plate		1	
5	AC198170AB1	Miter Gauge Assembly		1	S, A
	AC204295A	Miter Gauge Assembly	1600MM	1	S, A
101	198170A	Miter Gauge Body		1	
102	NH050800	Hex Nut	M5	3	
103	SR050500	Cap Screw	M5×25	3	
104	SP049300	Pan Head Bolt	M4×12	1	
105	201366	Pointer		1	
106	201365	Fixed Block		1	
107	201367	Stop Bar		1	
108	206621	End Washer	T=3MM	1	S/E/D
109	SP049400	Pan Head Bolt	M4×16	2	
110	198174	Shaft		1	
111	205829	Fixed Base		1	
112	198170-1	Adjust Handle		2	
113	200814	Fasten Handle		1	
114	WF083030	Flat Washer	M8×ψ30	1	
115	207667	T- Bolt		2	
116	207668	Ring		1	
117	207666	Locate Plate		1	



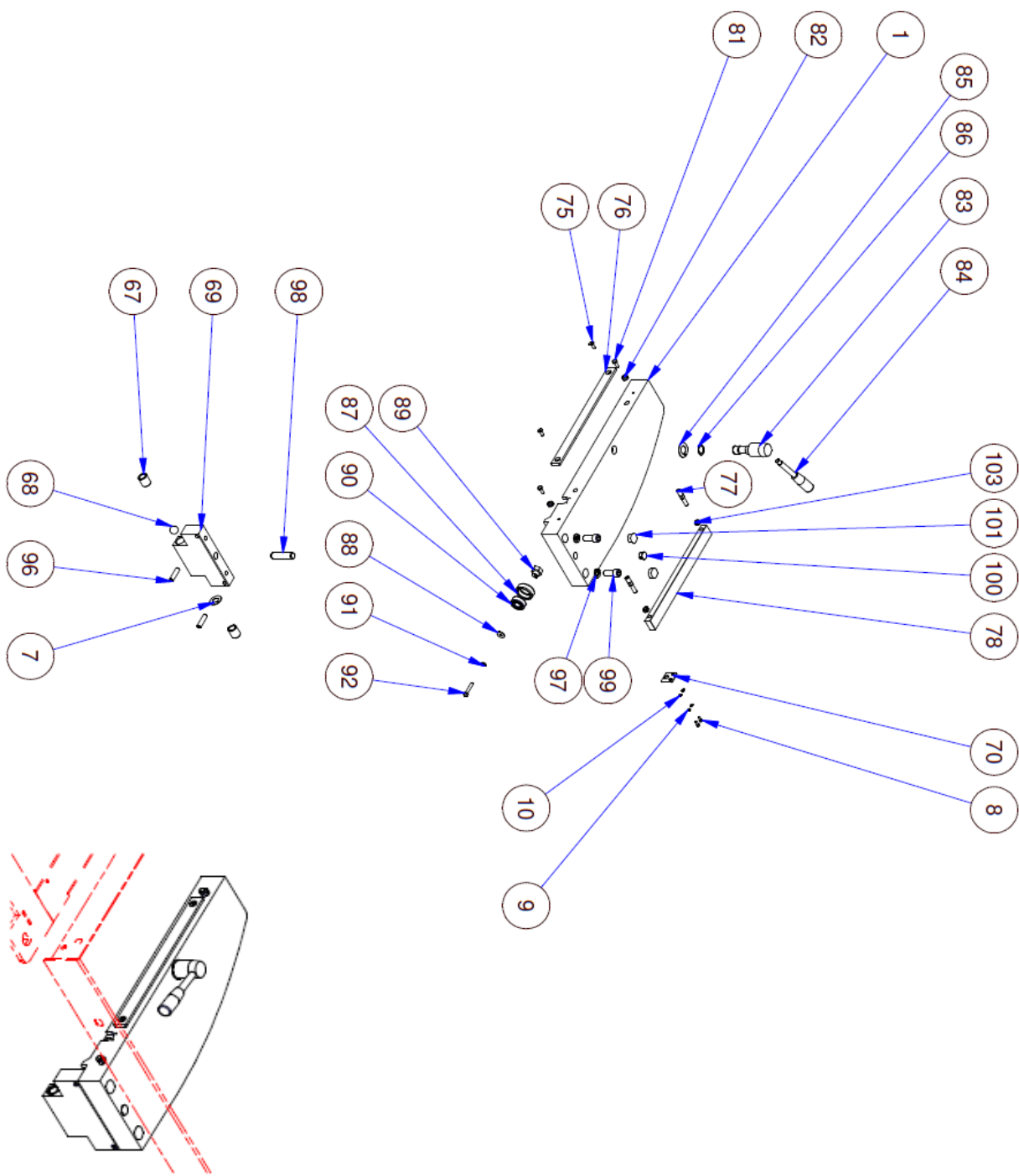
AB136012-ج

ITEM	PART NO	PARTS NAME	SIZE	Q`TY	NOTE
0010	AB136012A			1	
0050	IC200810	Stop Control Cord	0.75x2Cx3.1Mx4Y	1	

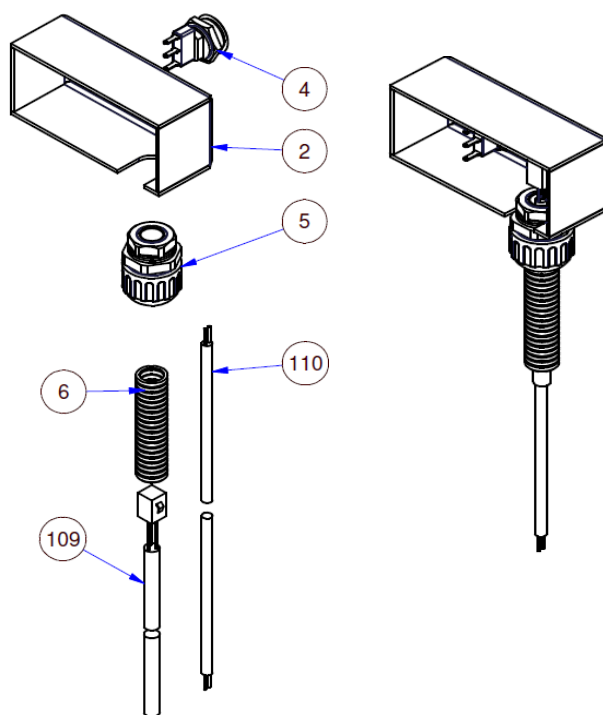


AB136012A

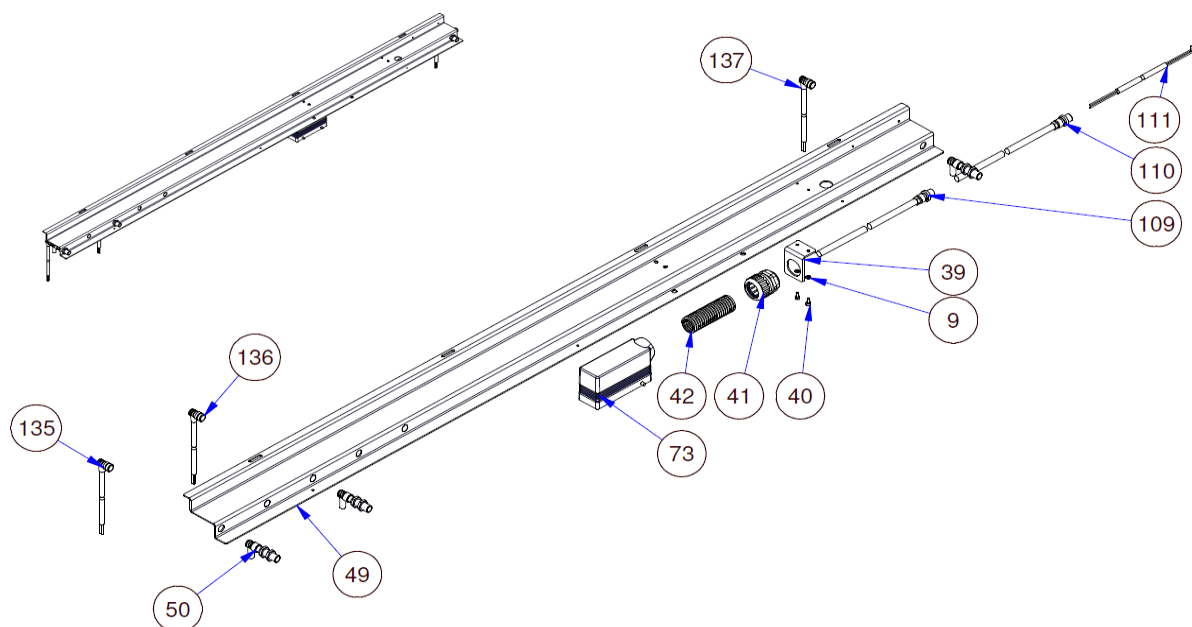
ITEM	PART NO	PARTS NAME	SIZE	Q`TY	NOTE
0010	136012A	Door Safety Switch	AZD-1112(UL)	1	
0020	709411	Strain Relief	PG11	1	
0030	SP040500	Pan Head Screw (+)	M4*0.7*25	2	
0040	206341	Inching Fixing Plate		1	



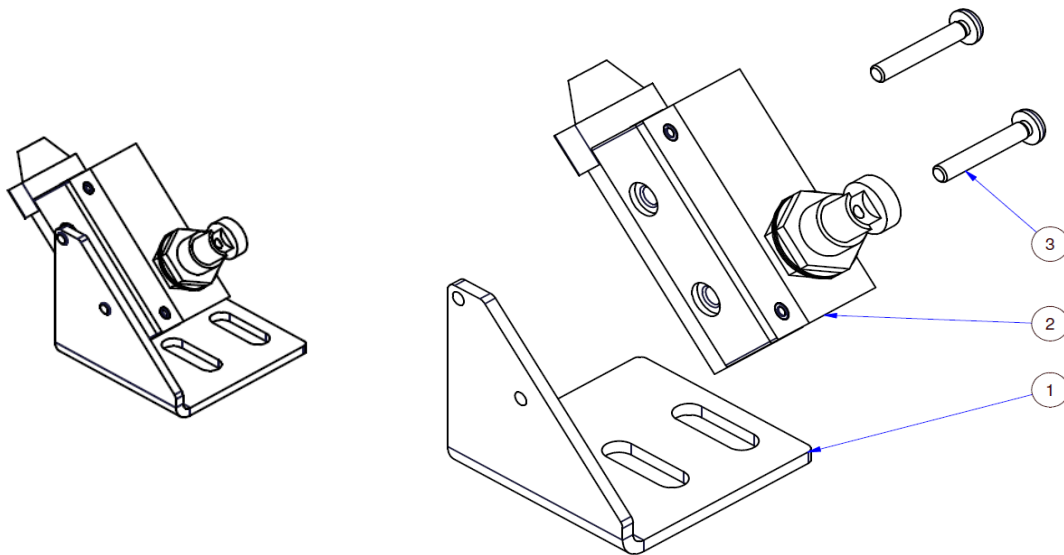
ITEM	PART NO.	PART NAME	SIZE	Q`TY	NOTE
0010	203131	Fixed Base		1	GK
0070	203199	Thrust Washers	LFW1615	1	
0080	SR040200	Hex. Socket Screw	M4*0.7*10	2	
0090	WS040000	Spring Washer	M4	2	
0100	WF040808	Flat Washer	M4*φ8	2	
0670	203178	Bushing		2	
0680	203180	Steel Ball	G19	1	
0690	203132	Fixed Base		1	GK
0700	203196	Fixed Plate		1	
0750	SI069400	Countersunk Head Screw	M6*1*16	2	
0760	203172	Fixed Plate		1	
0770	203193	Guide Post		2	
0780	203192	Plate		1	
0810	SH069400	Hex. Head Screw	M6*1*16	2	
0820	203179	Bias Ring		2	
0830	203213	Bias Shaft		1	
0840	200884	Handle		1	
0850	994214	Thrust Bearing	LFW-2015	1	
0860	RS200000	Retaining Ring (S-type)	S20	1	
0870	203356	Roller		1	
0880	WF061920	Flat Washer	M6xφ19	1	
0890	203195	Bias Shaft		1	
0900	BB620202	Ball Bearing	6202ZZ	1	
0910	WS060000	Spring Washer	M6	1	
0920	SH060700	Hex. Head Screw	M6*1*35	1	
0960	SS100800	Set Screw	M10*1.5*40	2	
0970	WS120000	Spring Washer	M12	2	
0980	PP166000	Pin	φ16*60	1	
0990	SR120600	Hex. Socket Screw	M12*1.75*30	2	
1000	203230	Clip Plug	HP-16	1	
1010	201458	Plug	HP-22	2	
1030	NL081300	Nylon Nut	M8*1.25	2	



ITEM	PART NO.	PART NAME	SIZE	Q`TY	NOTE
0020	203296	Fixed Base		1	GK
0040	203297	Metal Push Button Switch		1	
0050	203481	Nylon Box Adapter		1	
0060	203475	Hose	NGN-12B	1	
1090	IC205106	Proximity Switch Signal Wire	22AWGx4Cx2.5M	1	
1100	IC205041	Fine Core Control Cord	0.5x2Cx100M	1	

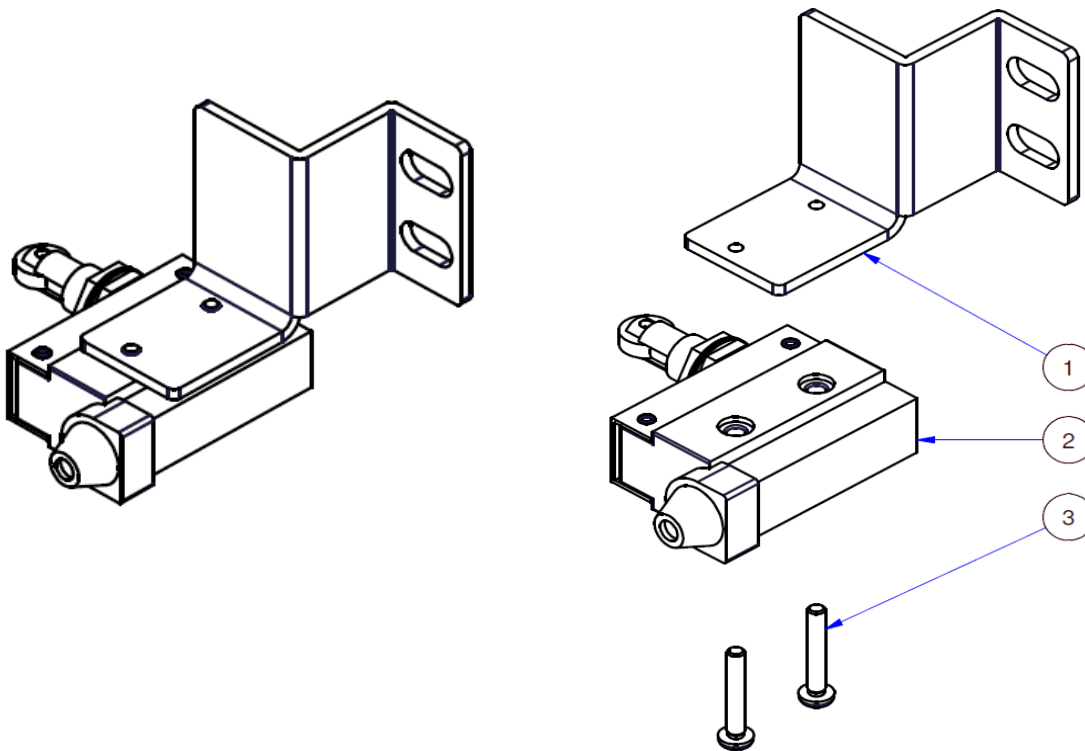


ITEM	PART NO.	PART NAME	SIZE	Q`TY	NOTE
0090	WS040000	Spring Washer	M4	2	
0390	203782	Base		1	
0400	SR049200	Hex. Socket Screw	M4*0.7*8	2	
0410	203889	Hose Adapter	SS-P400 PGB-06B	1	
0420	203888	Hose	"MM-WN-21-3/4"	1	
0490	203997	Fixed Plate		1	R
0500	203184	Proximity Switch	PM12-02PB-M12	3	
0730	203869-1	Connector (Male)	KM24M H1	1	
1090	IC207075	Encoder Cord (Housing)		1	
1100	IM207020	Fence Motor Cord		1	
1110	IC207099	Motor Brake Cord	0.5x2Cx1.2M	1	
1350	IC205516-1	Proximity Switch Wire	M124R-2.35M-L	1	
1360	IC205516-2	Proximity Switch Wire	M124R-2.25M-L	1	
1370	IC205516-3	Proximity Switch Wire	M124R-1.27M-L	1	



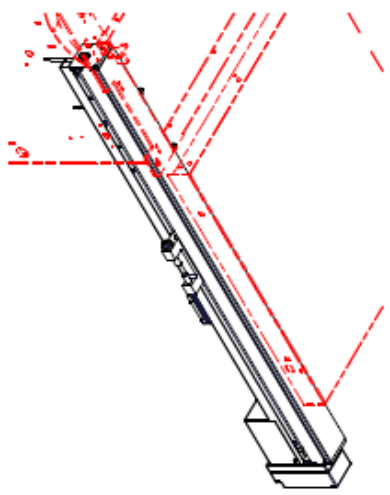
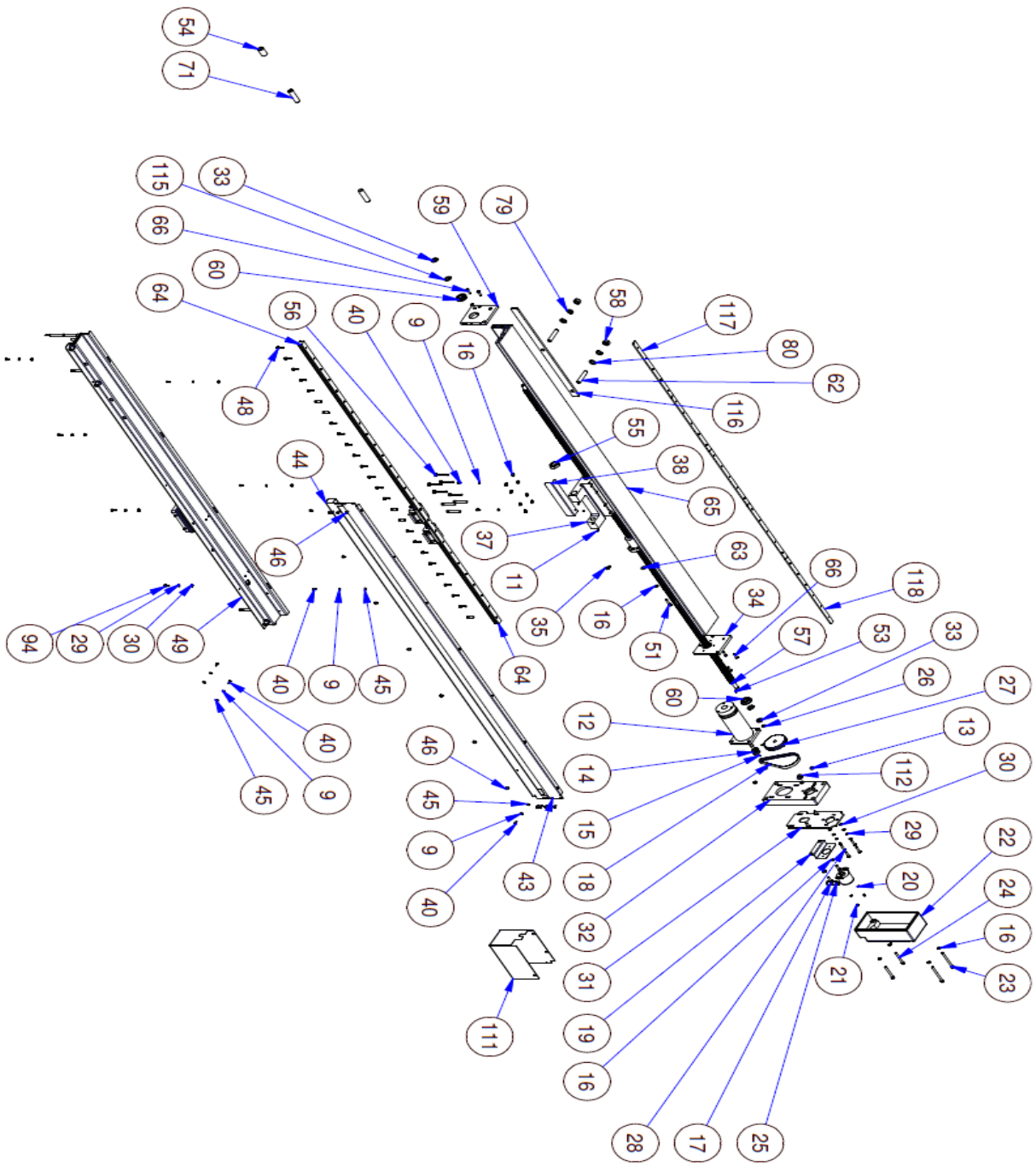
AB207752

ITEM	PART NO.	PART NAME	SIZE	Q`TY	NOTE
0010	207752	Fixed Plate		1	
0020	205397A	Micro Switch	D4MC-5020	1	
0030	SP040510	Pan Head Screw (+)	M4*0.7*25	2	



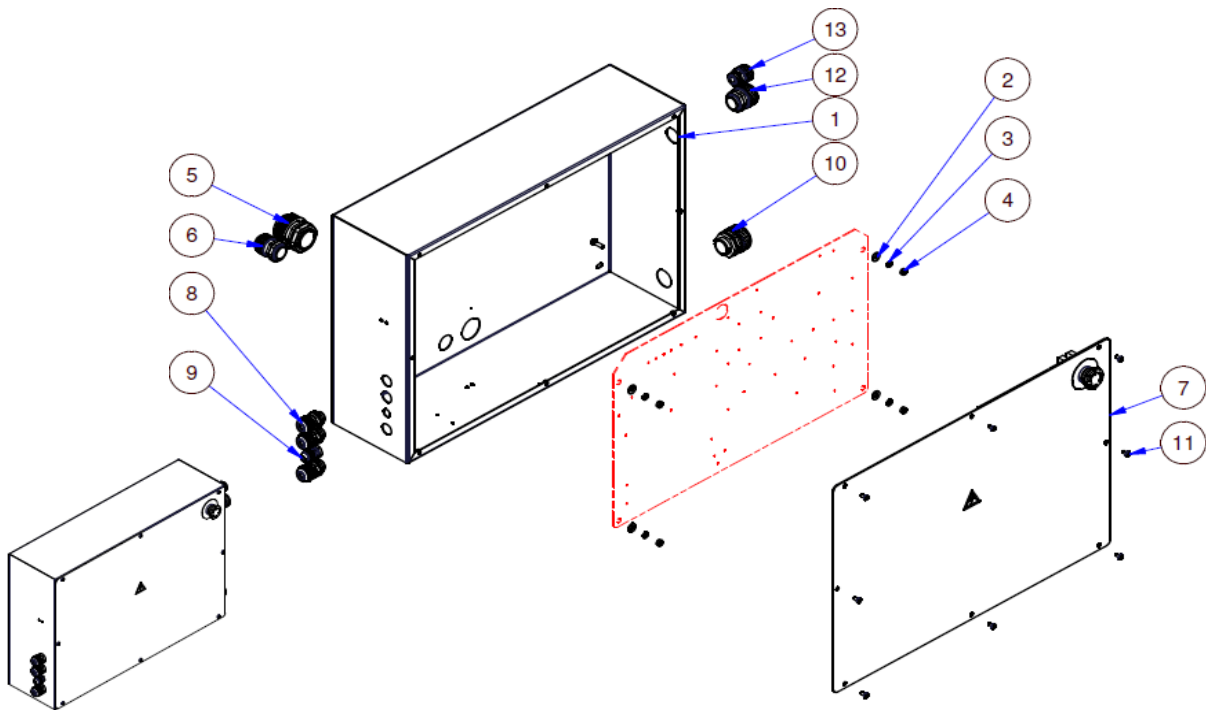
AB207751

ITEM	PART NO.	PART NAME	SIZE	Q`TY	NOTE
0010	207751	Fixed Plate		1	
0020	205397A	Micro Switch	D4MC-5020	1	
0030	SP040510	Pan Head Screw (+)	M4*0.7*25	2	

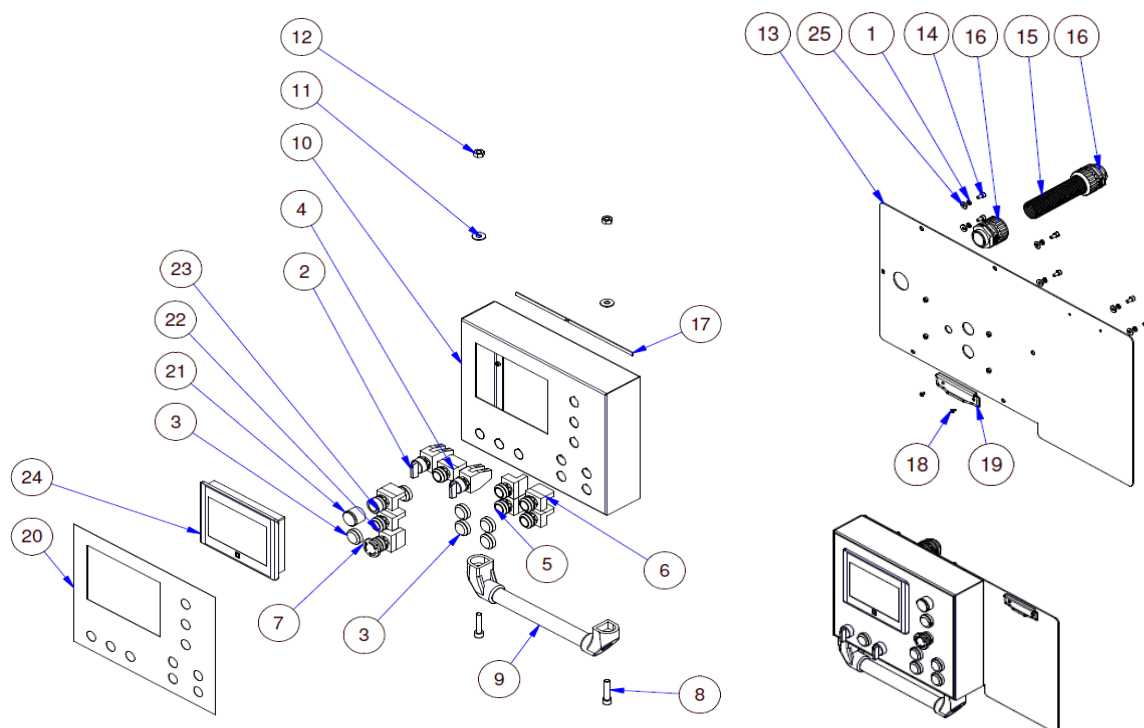


ITEM	PART NO.	PART NAME	SIZE	Q`TY	NOTE
0090	WS040000	Spring Washer	M4	8	
0110	SS049100	Set Screw	M4*0.7*6	4	
0120	205323	DC Motor	DC24V	1	
0130	NH061000	Nut	M6	4	
0140	203156	Timing Pulley		1	
0150	SS049000	Set Screw	M4*0.7*4	2	
0160	WS060000	Spring Washer	M6	19	
0170	SR060400	Hex. Socket Screw	M6*1*20	4	
0180	205320	Timing Belt	T5 365x10	1	
0190	205321	Fixed Base		1	
0200	WS030000	Spring Washer	M3	2	
0210	SR030100	Hex. Socket Screw	M3*0.7*5	2	
0220	205105	Pulley Guard		1	
0230	SR061500	Hex. Socket Screw	M6*1*75	2	
0240	SR061100	Hex. Socket Screw	M6x55	2	
0250	AB205319	Decoder Asm.		1	
0260	RS100000	Retaining Ring (S-type)	S10	1	
0270	203151	Timing Pulley		1	
0280	SJ050500	Pan Head Socket Screw	M5*0.8*25	4	
0290	WS050000	Spring Washer	M5	8	
0300	WF051010	Flat Washer	M5*φ10	8	
0310	205354	Fixed Plate		1	
0320	205101	Electric Cylinder Fixed Block		1	
0330	203211	Fine U Nnts	M12x1	2	
0340	205938	Fixed Base		1	
0350	208366	Oil Filler Point		1	
0370	208331	Fixed Base		1	
0380	207674	Cover		1	
0400	SR049200	Hex. Socket Screw	M4*0.7*8	8	
0430	203996	Cover Pate		1	R
0440	203998	Cover		1	R
0450	WF041008	Flat Washer	M4*φ10*0.8t	6	
0460	SJ059200	Pan Head Socket Screw	M5*0.8*8	15	
0480	SR059503			26	
0490	AB203997	Electric Rip Fence Fixed Plate Asm.		1	R
0510	SR060500	Hex. Socket Screw	M6*1*25	3	
0530	KS030310	Parallel Key	3*3*10	1	
0540	SS200700	Set Screw	M20x2.5x35	1	
0550	203545	Nut (Thin)	M20x2.5Px10t	1	
0560	SR060900	Hex. Socket Screw	M6*1*45	8	
0570	208296	Ball Screw		1	

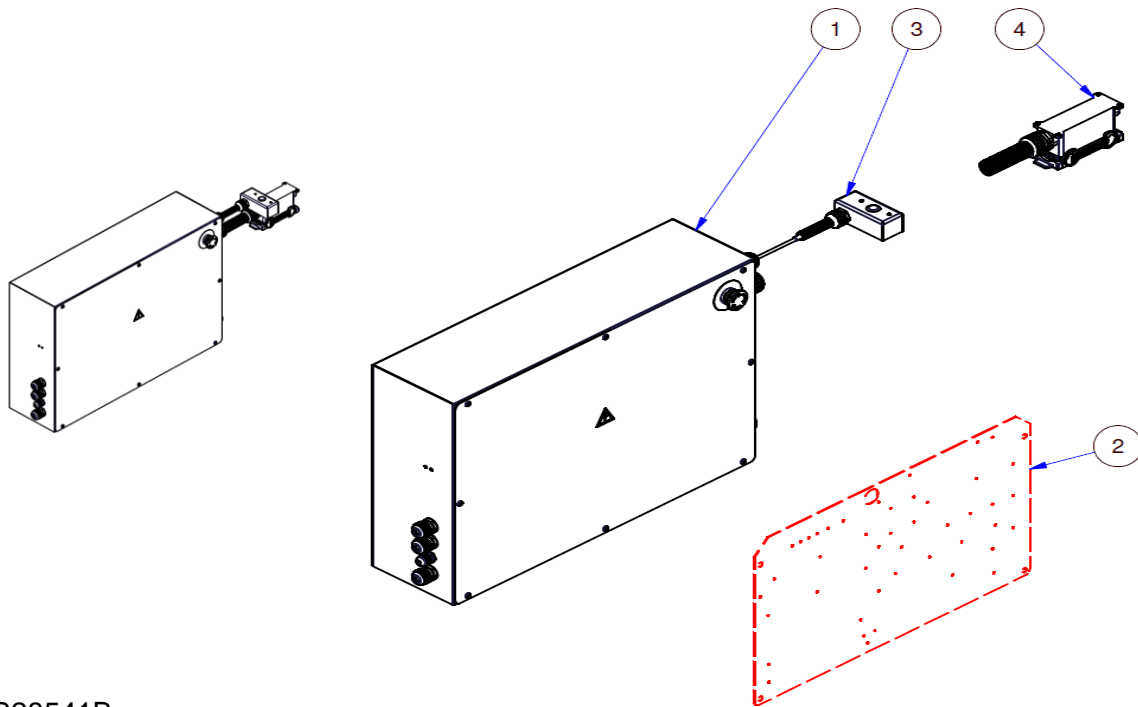
ITEM	PART NO.	PART NAME	SIZE	Q`TY	NOTE
0580	NH121900	Nut	M12*1.75*10t	2	
0590	205937	Fixed Base		1	
0600	BB620104B	Ball Bearing		2	
0620	SS121200	Set Screw	M12*1.75*60	2	
0630	WF061620	Flat Washer	M6*φ16	3	
0640	203795	Liner Slide Rail		1	
0650	203990	Fixed Base		1	
0660	SJ050400	Pan Head Socket Screw	M5*0.8*20	6	
0710	205665	Rotate Shaft	φ16x60mm	2	
0790	WS120000	Spring Washer	M12	2	
0800	WF132225	Flat Washer	M13xφ22x2.5mm	2	
0940	SR059300	Hex. Socket Screw	M5*12	4	
1110	203999	Protection Cover		1	R
1120	998633	Strain Relief	5N-4	1	
1150	WF122225	Flat Washer	M12*φ22	2	
1160	203994	Fixed Plate		1	
1170	203995	Fixed Plate		4	
1180	203995A	Fixed Plate		1	



ITEM	PART NO.	PART NAME	SIZE	Q`TY	NOTE
0010	208440B	Electric Control Box		1	R
0020	WF061620	Flat Washer	M6*φ16	4	
0030	WS060000	Spring Washer	M6	4	
0040	NH061000	Nut	M6	4	
0050	207318	Strain Relief	MGB40-25B	1	
0060	203860	Strain Relief	PGB21-18B	1	
0070	AB208441B	Electric Control Box Asm.		1	R
0080	709421	Strain Relief		3	
0090	709409	Strain Relief		1	
0100	998808	Hose's Strain Relief	N-MGQ32-34B	1	
0110	SJ050200	Pan Head Socket Screw	M5*0.8*10	8	
0120	203889	Hose Adapter	SS-P400 PGB-06B	1	
0130	203481	Nylon Box Adapter		1	

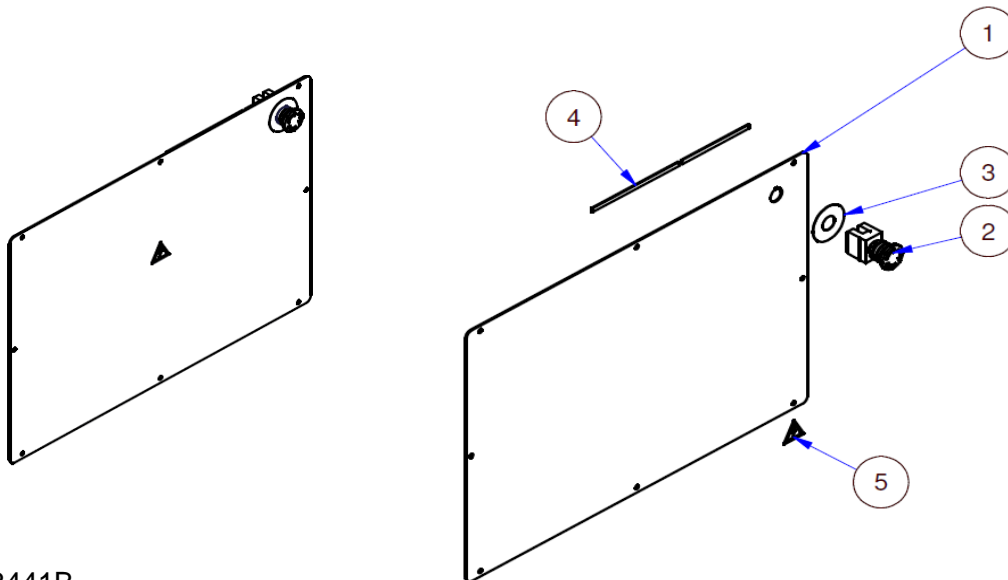


ITEM	PART NO.	PART NAME	SIZE	Q`TY	NOTE
0010	WS050000	Spring Washer	M5	6	
0020	205240	Two-stage Selector Switch	R2SNL-22φ	2	
0030	994855A	Flat Head Buckle Dust Cover	R2 PRCF	6	
0040	994993	Inch Switch	R2 PNF-1A-W	1	
0050	994855	Flat Head Push Button Switch	R2 PNF-1A-G	2	
0060	994856	Flat Head Push Button Switch	R2 PNF-1B-R	2	
0070	994808	Emergency Button Switch	R2PNR4-1B-R	1	
0080	SR100900	Hex. Socket Screw	M10*1.5*45	2	
0090	205557	Handle		1	
0100	208519	Controller Box		1	R
0110	WF102520	Flat Washer	M10X25X2	2	
0120	NH101700	Nut	M10x1.5	2	
0130	207758	Cover		1	R
0140	SR050200	Hex. Socket Screw	M5*0.8*10	6	
0150	204197	Hose		1	
0160	998808	Hose's Strain Relief	N-MGQ32-34B	2	
0170	150528	Sponge		0.14	
0180	BR000041	Rivet	3.2x6/6.4	2	
0190	203917	Iron Clip	SS-P400E3(E5)	1	
0200	LM208018			1	
0210	994852A	Light Button Dust Cover	R2 PRCH	1	
0220	994853	Flat button	R2PNF-1B-B	1	
0230	994852	Light Button	R2PIF-1A-7WL	1	
0240	720300	HMI 7"	P07F-N	1	
0250	WF051320	Flat Washer	M5*φ13*t2	6	



AB28541B

ITEM	PART NO.	PART NAME	SIZE	Q`TY	NOTE
0010	AB208440B	Electric Control Box Asm.		1	R
0020	QYAB208540B	Electric Control Plate		1	
0030	AB203296	Clutch Metal Switch Box Set		1	GK
0040	AB203869-4	Coupling Asm.		1	



AB208441B

ITEM	PART NO.	PART NAME	SIZE	Q`TY	NOTE
0010	208441B	Cover Pate		1	R
0020	994808	Emergency Button Switch	R2PNR4-1B-R	1	
0030	LM200029	Sticker	φ23xφ60mm	1	
0040	150528	Sponge		2.2	
0050	LM000645	Label		1	

10 Terms of Warranty

MAKSIWA assures the owner that their equipment, identified by the Serial number issued on the Warranty Terms.

The equipment under warranty, for two (2) years, is as followed:

1. The warranty period begins on the date of the Warranty Terms below.
2. Within the warranty period, the manual labor and the components replaced by manufacturing defect will be provided for free if duly proved by Maksiwa Service.
3. Third-party manufacturing equipment that makes up the MAKSIWA equipment (such as motors, electrical equipment, belts etc.) are subject to the terms and conditions of warranty of their respective manufacturers.
4. In case an exchange of machine is needed, please return the defective part or machine to MAKSIWA.
5. All workplace adaptations for the equipment are under the responsibility of the machine owner.
6. If you notice any defect or malfunction when receiving the equipment, get in touch immediately with the manufacturer or Dealer. Do not turn it on.
7. Not included in this warranty is any technical visits aimed at cleaning or adjustments caused by wear, resulting from normal use of the equipment.
8. The warranty does not cover problems caused by mistreatment, carelessness, misuse or inappropriate use of the functions designed for this equipment in this manual, as well as poorly executed operations by untrained operators to operate it.
9. MAKSIWA is not responsible for lost productivity, direct or indirect damages caused to the owner of the equipment or to third parties, or any other expense, including lost profits.
10. Even under warranty, you may lose its validity as follows:
 - a) Application of non-original components;
 - b) Alteration of its original features;
 - c) Lack of proper maintenance;
 - d) Improper use of the equipment;
 - e) Change in equipment or electronic connections;
 - f) Damage caused by mechanical shock or exposure to unsuitable conditions (humidity, salt spray, corrosive agents, etc.);
 - g) Damage caused by bad weather (floods, flooding, lightning, power outages etc.);
 - h) Maksiwa is not responsible for damages to electrical components cause by power variation in your area.

For your safety, trust the repairs, maintenance and adjustments (including inspection and replacement) for technical assistance recommended by MAKSIWA, always use genuine spare parts and accessories, reassembling to its original machine the same way.

MODEL:

SERIAL NUMBER:

DATE:

LOT NUMBER:



Imported by:

Maksiwa International Inc.

990 S Rogers Circle, Suite 11

Boca Raton, Florida

ZIP Code: 33487

Telephone: +1 (754) 205-6717 | Call us free: +1 (844) 319-6594

E-mail: tech@maksiwa.com

www.maksiwa.com
