



# MAKSIWA®

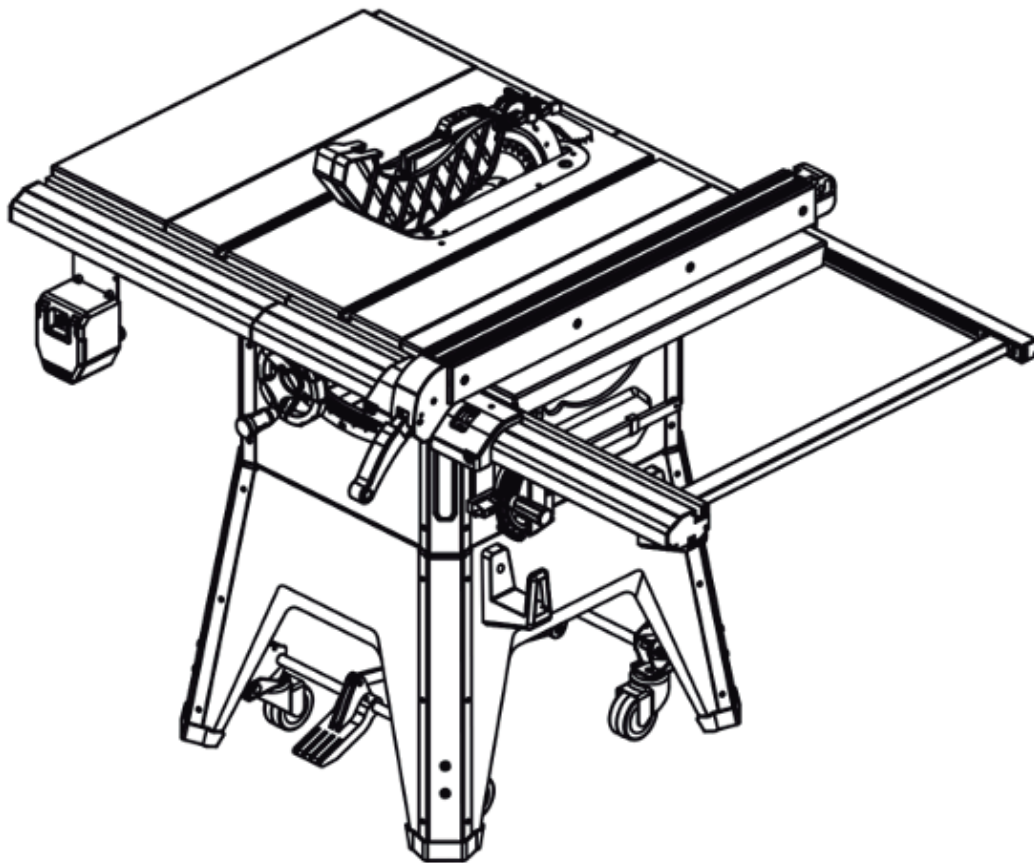
## SC.1000.I

**10" Table Saw - 3 Wire 110 V - 1 Phase**

---

INSTRUCTION MANUAL

---



ATTENTION: READ THIS MANUAL BEFORE USING THE MACHINE.

### **Greetings,**

Congratulations, you just purchased the SC.1000.I Maksiwa Table Saw, which was developed with the Maksiwa's highest standards of technology and quality. Your SC.1000.I Maksiw Table Saw allows you to have the highest productivity in woodworking. It should be noted that to use this machine with maximum efficiency, you should read and understand the instructions in this manual.

Visit our website to know about our launches and other product lines and Technical Assistance:

[www.maksiwa.com/usa](http://www.maksiwa.com/usa)

[tech@maksiwa.com](mailto:tech@maksiwa.com)



**Attention!: The machine must be inspected immediately upon arrival. If the machine has been damaged during transport, or if any parts are missing, a written record of the problems must be submitted to the forwarding agent and a damage report compiled. Also be sure to notify your supplier immediately.**



**For the safety of all personnel, it is necessary to study this manual thoroughly before assembly and operation. This manual must be kept in good condition and should be considered as part of the machine. Furthermore, the manual must be kept to hand and within the vicinity of the machine so that it is accessible to operators when using, maintaining or repairing the machine.**



Maksiwa International Inc.  
4100 N Powerline Rd, Suite D3 Pompa-  
no Beach, FL

Call us free: 844-319-6594

tech@maksiwa.com  
www.maksiwa.com/usa

## Contents

1. General.....	05
1.1 Symbol legend .....	05
1.2 Information on the operating instructions .....	05
1.3 Liability and warranty.....	05
1.4 Copyright.....	06
1.5 Spare parts.....	06
1.6 Disposal .....	06
2. Safety Regulations.....	07
2.1 Workspace.....	07
2.2 Maintainance .....	07
2.3 Machine Safety.....	08
3. Specifications.....	13
3.1 Technical Specifications .....	13
3.2 Electrical Requirements .....	13
4. Installation.....	15
4.1 Unpacking and Checking Contents .....	15
4.2 Assembly .....	17
5. Operating Procedures .....	32
5.1 Description .....	32
5.2 Starting and Stopping the Saw .....	32
5.3 Adjustments .....	33
5.3 Types of Cuts/Operations .....	39
6. Maintenance .....	43
6.1 Safety Instructions .....	43
6.2 Cleaning .....	43
6.3 Lubrication .....	43
6.4 Service .....	43
6.5 Changing the Blade Saw .....	44
7. Troubleshooting .....	45
8. Exploded View .....	47
9. Wiring Diagram .....	57
10. Terms of Warranty .....	58

## 1 General

### 1.1 Symbol legend

Important technical safety instructions in this manual are marked with symbols. These instructions for work safety must be followed.

In all these particular cases, special attention must be paid in order to avoid accidents, injury to persons or material damage.



**Warning! Risk of injury or death!**

**This symbol marks instructions that must be followed in order to avoid harm to one's health, injuries, permanent impairment or death!**



**Warning! Danger! Electric current!**

**This symbol warns of potentially dangerous situations relating to electrical current. Not observing the safety instructions increases the risk of serious injury or death. All electrical repairs must be carried out by a qualified electrician!**



**Attention! Risk of material damage!**

**This symbol marks instructions which, if not observed, may lead to material damage, functional failures and/or machine breakdown!**

### 1.2 Information on the operating instructions

This manual describes how to operate the machine properly and safely. Be sure to follow the safety tips and instructions stated here as well as any local accident prevention regulations and general safety regulations. Before beginning any work on the machine, ensure that the manual, in particular the chapter entitled "Safety" and the respective safety guidelines, has been read in its entirety and fully understood. This manual is an integral part of the machine and must therefore be kept in the direct vicinity of the machine and be accessible at all times. If the machine is sold, rented, lent or otherwise transferred to another party, the manual must accompany the machine.

### 1.3 Liability and warranty

The contents and instructions in this manual have been compiled in consideration of current regulations and state-of-the-art technology as well as based on our know-how and experience acquired over many years. This

manual must be read carefully before commencing any work on or with this machine. The manufacturer shall not be liable for damage and/or faults resulting from the disregard of instructions in the manual. The text and images do not necessarily represent the delivery contents. The images and graphics are not depicted on a 1:1 scale. The actual delivery contents are dependent on custom-build specifications, add-on options or recent technical modifications and may therefore deviate from the descriptions, instructions and images contained in the manual. Should any questions arise, please contact the manufacturer. We reserve the right to make technical modifications to the product in order to further improve user-friendliness and develop its functionality.


## 1.4 Copyright

This manual should be handled confidentially. It is designated solely for those persons who work on or with the machine. All descriptions, texts, drawings, photos and other depictions are protected by copyright and other commercial laws. Illegal use of the materials is punishable by law.

This manual, in its entirety or parts thereof, may not be transferred to third parties or copied in any way or form, and its contents may not be used or otherwise communicated without the express written consent of the manufacturer.


Infringement of these rights may lead to a demand for compensation or other applicable claims. We reserve all rights in exercising commercial protection laws.

## 1.5 Spare parts

 Attention: Non genuine, counterfeit or faulty spare parts may result in damage, cause malfunction or complete breakdown of the machine.

If unauthorized spare parts are fitted into the machine, all warranty, service, compensation and liability claims against the manufacturer and their contractors, dealers and representatives shall be rejected. Use only genuine spare parts supplied by the manufacturer. Unless, specified by manufacturer.

## 1.6 Disposal

 **Attention!: Used electrical materials, electronic components, lubricants and other auxiliary substances must be treated as hazardous waste and may only be disposed of by specialised, licensed firms.**

If the machine is to be disposed of, separate the components into the various materials groups in order to allow them to be reused or selectively disposed of. The whole structure is made of steel and can therefore be dismantled without problem. This material is also easy to dispose of and does not pollute the environment or jeopardize public health. International environmental regulations and local disposal laws must always be complied with.

## 2 Safety Instructions

For your own safety, read all of the instructions and precautions before operating tool.

- Wear proper apparel. Do not wear loose clothing, gloves, neckties, rings, bracelets or other jewelry which may get caught in moving parts of machine.
- Wear protective hair covering to contain long hair.
- Wear safety shoes with non-slip soles.
- Wear safety glasses complying with the Standard of your country. Everyday glasses have only impact resistant lenses. They are NOT safety glasses.
- Wear face mask or dust mask if operation is dusty.
- Be alert and think clearly. Never operate power tools when tired, intoxicated or when taking medications that cause drowsiness.

### 2.1 Workspace

- Keep work area clean. Cluttered work areas invite accidents.
- Do not use power tools in dangerous environments. Do not use power tools in damp or wet locations. Do not expose power tools to rain.
- Work area should be properly lighted.
- Keep visitors at a safe distance from work area.
- Keep children out of workplace. Make workshop childproof. Use padlocks, master switches or remove switch keys to prevent any unintentional use of power tools.
- Keep power cords from coming in contact with sharp objects, oil, grease and hot surfaces.

### 2.2 Maintenance

- **Always unplug tool prior to inspection.**
- **Consult manual for specific maintaining and adjusting procedures.**
- **Keep tool lubricated and clean for safest operation.**
- **Remove adjusting tools. Form habit of checking to see that adjusting tools are removed before switching machine on.**
- **Keep all parts in working order. Check to determine that the guard or other parts will operate properly and perform their intended function.**
- **Check for damaged parts. Check for alignment of moving parts, binding, breakage, mounting and any other condition that may affect a tool's operation.**
- **A guard or other part that is damaged should be properly repaired or replaced. Do not perform makeshift repairs. (Use parts list provided to order replacement parts.)**

- **Maintain proper adjustment of rip fence and blade guard.**
- **Never adjust saw while running. Disconnect power to avoid accidental start-up.**
- **Have damaged or worn power cords replaced immediately.**
- **Keep blade sharp for efficient and safest operation.**

## 2.3 Machine Safety

- Use right tool for job. Do not force tool or attachment to do a job for which it was not designed.
- Disconnect tool when changing blade.
- Avoid accidental start-up. Make sure that the tool is in the “off” position before plugging in, turning on safety disconnect or activating breakers.
- Do not force tool. It will work most efficiently at the rate for which it was designed.
- Keep hands away from blade and moving parts and cutting surfaces.
- Never leave tool running unattended. Turn the power off and do not leave tool until it comes to a complete stop.
- Do not overreach. Keep proper footing and balance.
- Never stand on tool. Serious injury could occur if tool is tipped or if blade is unintentionally contacted.
- Know your tool. Learn the tool’s operation, application and specific limitations.
- Handle workpiece correctly. Press firmly against table. Protect hands from possible injury.
- Turn machine off if it jams. Blade jams when it digs too deeply into workpiece. (Motor force keeps it stuck in the work.)
- Feed work into the blade only as recommended in “Operation.”.

**WARNING! FOR YOUR OWN SAFETY, DO NOT OPERATE YOUR SAW UNTIL IT IS COMPLETELY ASSEMBLED AND INSTALLED ACCORDING TO INSTRUCTIONS.**

### STABILITY OF SAW

If there is any tendency for the saw to tip over or move during certain cutting operations, such as cutting extremely heavy panels or long heavy boards, the saw should be bolted down. If you attach any kind of extensions over 24" wide to either end of the saw, make sure you either bolt the saw to the floor, as appropriate, or support the outer end of the extension from the bench or floor, as appropriate.

### LOCATION

The saw should be positioned so neither the operator nor a casual observer is forced to stand in line with the saw blade.

### KICKBACKS

A kickback occurs during a rip-type operation when a part or all of workpiece is thrown back violently toward operator. Keep your face and body to one side of the saw blade, out of line with a possible kickback. Kickbacks



and possible injury from them can usually be avoided by:

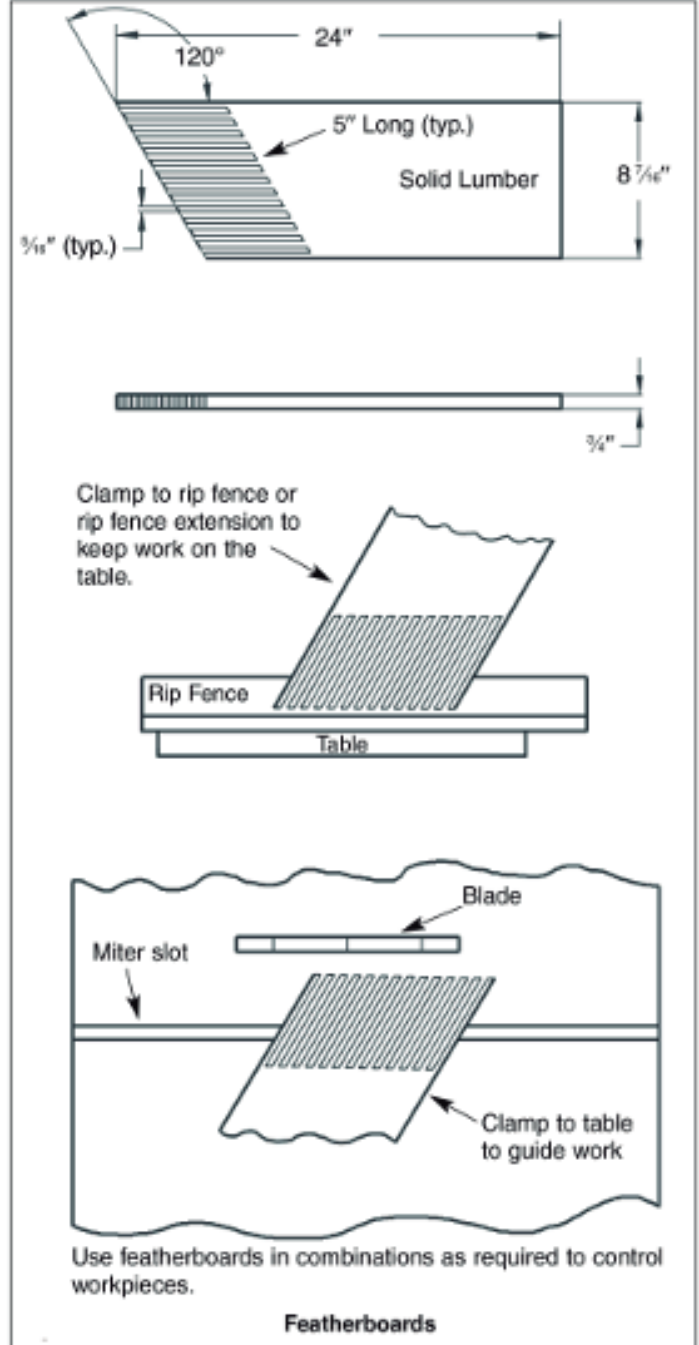
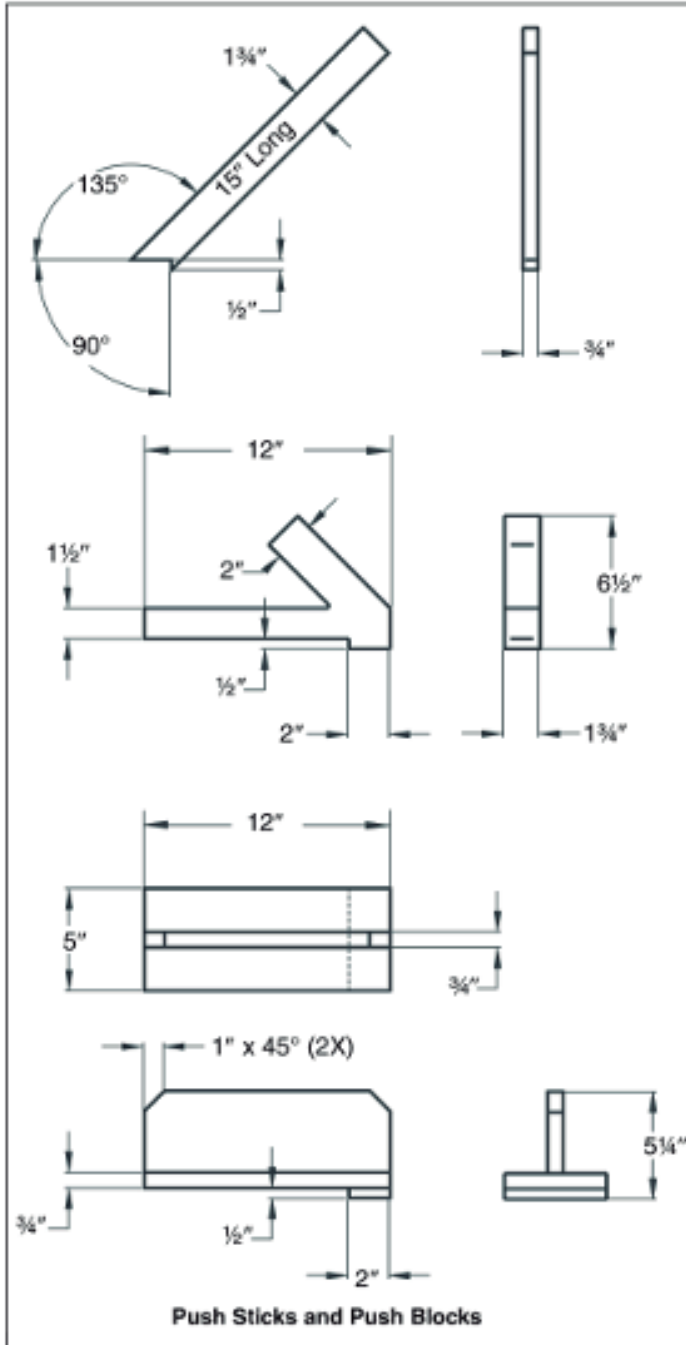
- Maintaining rip fence parallel to saw blade.
- Keeping saw blade sharp. Replace or sharpen anti-kick-back pawls when points become dull.
- Keeping saw blade guard, spreader, and anti-kickback pawls in place and operating properly. The spreader must be in alignment with the saw blade and the pawls must stop a kickback once it has started. Check their action before ripping.
- Not ripping work that is twisted or warped or does not have a straight edge to guide along the rip fence.
- Not releasing work until you have pushed it all the way past the saw blade.
- Using a push stick for ripping widths less than 6 inches.
- Not confining the cutoff piece when ripping or crosscutting.

#### **PROTECTION: EYES, HANDS, FACE, BODY, EARS**

- If any part of your saw is missing, malfunctioning, or has been damaged or broken (such as the motor switch, electronic controls, other operating control, a safety device or power cord), cease operating immediately until the particular part is properly repaired or replaced.
- Wear safety goggles that comply with the standard of your country and a face shield or dust mask if operation is dusty. Wear ear plugs or muffs during extended periods of operation.
- Small loose pieces of wood or other objects that contact the rear of the revolving blade can be thrown back at the operator at excessive speed. This can usually be avoided by keeping the guard and spreader in place for all thru-sawing operations (sawing entirely thru work) and by removing all loose pieces from the table with a long stick of wood immediately after they are cut off.
- Use extra caution when the guard assembly is removed for resawing, dadoing, or rabbeting, replace guard as soon as that operation is completed.
- Never turn the saw ON before clearing the table of all tools, wood scraps, etc., except the workpiece and related feed or support devices for the operation planned.
- Never place your face or body in line with the cutting tool.
- Never place your fingers or hands in path of saw blade or other cutting tool.
- For rip or rip-type cuts, the following end of a workpiece to which a push stick or push board is applied must be square (perpendicular to the fence) in order that feed pressure applied to the workpiece by the push stick or block does not cause the workpiece to come away from the fence, and possibly cause a kickback.
- During rip and rip-type cuts, workpiece must be held down on table and against fence with a push stick, push block, or feather boards, as applicable (see following figures).
- Push stick: A safety device used to push the workpiece through a cutting operation. Used most often when rip cutting thin workpieces.
- The push stick and push block examples shown below are useful for keeping hands and fingers away from saw blade during ripping, rabbeting and dadoing. Apply downward pressure and push workpiece through the cut and past the blades. Several other configurations may be suitable for safe operation. Feather boards are used to keep the work in contact with the rip fence or table during the cutting operation. Use of feather

boards can help to prevent kickbacks and binding. Feather boards should be used for all “non thru-sawing” operations.

- Never reach in back of the cutting tool with either hand to hold down or support the workpiece, remove wood scraps, or for any other reason. Avoid awkward operations and hand positions where a sudden slip could cause fingers or hand to move into a saw blade or other cutting tool.
- Do not perform layout, assembly, or setup work on the table while the cutting tool is rotating.
- Do not perform any operation freehand—always use either rip fence or miter gauge to position and guide the work.
- Never use the rip fence when cross-cutting or the miter gauge when ripping. Do not use rip fence as a length stop. Never hold onto or touch free-end of workpiece or a free-piece that is cut off, while power is ON and/or saw blade is rotating.
- Shut the saw OFF and disconnect power source when removing the table insert, changing the cutting tool, removing or replacing the blade guard, or making adjustments.
- Provide adequate support to the rear and sides of the saw table for wide or long workpieces.
- Plastic and composition materials (like hardboard) may be cut on your saw. However, since these are usually quite hard and slippery, the anti-kickback pawls may not stop a kickback. Therefore, be especially attentive to following proper setup and cutting procedures for ripping. Do not stand, or permit anyone else to stand, in line with a potential kickback.
- If you stall or jam the saw blade in the workpiece, turn saw OFF and remove the workpiece from the saw blade. Check to see if the saw blade is parallel to the miter gauge grooves and if the spreader is in proper alignment with the saw blade. If ripping at the time, check to see if the rip fence is parallel with the saw blade. Readjust as required.
- Do not remove small pieces of cutoff material that may become trapped inside the blade guard while the saw is running. This could endanger your hands or cause kick-back. Turn saw OFF and wait until blade stops.
- Use extra care when ripping wood with twisted grain or wood that is twisted or bowed—it may rock on table and pinch saw blade.



**KNOW YOUR CUTTING TOOLS**

- Dull, gummy, improperly sharpened or set cutting tools can cause material to stick, jam, stall saw, or kickback at operator. Minimize potential injury by proper care and machine maintenance.

**WARNING:** Never attempt to free a stalled saw blade without first turning saw OFF.

- Never use grinding wheels, abrasive cutoff wheels, friction wheels (metal slitting blades), wire wheels or buffing wheels.

**USE ONLY ACCESSORIES DESIGNED FOR SAW**

- Crosscutting operations are worked more conveniently and with greater safety if an auxiliary wood facing is attached to miter gauge using holes provided. However, facing must not interfere with proper functioning of saw blade guard.
- Make sure the top of the arbor or cutting tool rotates toward you when standing in normal operating position. Also make sure the cutting tool, blade flange and arbor nut are installed properly. Keep the cutting tool as low as possible for the operation being performed. Keep all guards in place whenever possible.
- Do not use any blade or other cutting tool marked for operating speed less than 4000 RPM. Never use a cutting tool larger in diameter than diameter for which saw was designed. For greatest safety and efficiency when ripping, use maximum diameter blade for which saw is designed, since under these conditions spreader is nearest the blade.
- Adjust table inserts flush with table top. Never operate saw unless proper insert is installed.
- Never feed material into the cutting tool from the rear of the saw. An accident and serious injury could result.

**THINK SAFETY**

Safety is a combination of operator common sense and alertness at all times when the saw is being used. Never use another person as a substitute for a table extension, or as additional support for a workpiece that is longer or wider than basic saw table, or to assist in feeding, supporting or pulling the workpiece.

Do not pull the workpiece through the saw blade—position your body at the infeed side of the guard; start and complete the cut from that same side. This will require added table support for long or wide workpieces that extend beyond the length or width of the saw table.

**CAUTION:** Follow safety instructions that appear on the front of your saw.

### 3 Specifications

#### 3.1 Technical Specifications

Please choose proper power source, voltage and frequency that are shown in the label for your machine.

10" Contractor Table Saw	
Motor	2.5 Hp 8 Amp or A 1800W
Table Size	20-1/8"X 27" (512X685mm)
Extended Table Size	40" X 27" (1015X685mm)
Saw Blade	10" X 5/8" (254x15.875mm)
Maximum Cut Depth at 90°	3-1/8 " (80mm)
Maximum Cut Depth at 45°	2-3/16" (55mm)
Blade angle	0~45°
Max. Ripping Capacity	30" (762mm)
Blade Speed	60Hz 3450 RPM

#### 3.1 Electrical Requirements

##### POWER SUPPLY AND MOTOR SPECIFICATIONS

**WARNING:** To avoid electrical hazards, fire hazards, or damage to the tool, use proper circuit protection. Use a separate electrical circuit for your tools. To avoid shock or fire, if power cord is worn or cut, or damaged in any way, have it replaced immediately.

##### GROUNDING INSTRUCTIONS

**WARNING:** This tool must be grounded while in use to protect the operator from electrical shock.

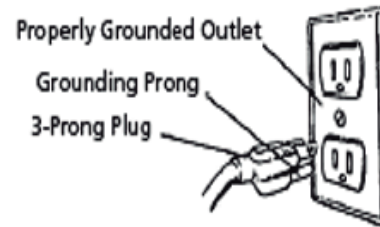
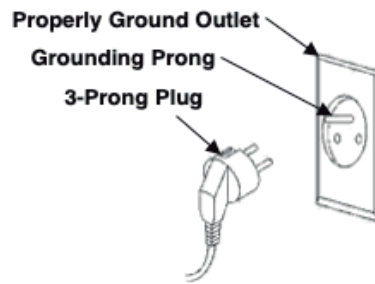
IN THE EVENT OF A MALFUNCTION OR BREAKDOWN, grounding provides a path of least resistance for electric current and reduces the risk of electric shock. This tool is equipped with an electric cord that has an equipment-grounding conductor and a grounding plug. The plug **MUST** be plugged into a matching receptacle that is properly installed and grounded in accordance with ALL local codes and ordinances.

**DO NOT MODIFY THE PLUG PROVIDED.** If it will not fit the receptacle, have the proper receptacle installed by a qualified electrician.

**IMPROPER CONNECTION** of the equipment-grounding conductor can result in risk of electric shock. The conductor with green insulation (with or without yellow stripes) is the equipment-grounding conductor. If repair or replacement of the electric cord or plug is necessary, **DO NOT** connect the equipment-grounding conductor to a live terminal.

**CHECK** with a qualified electrician or service person if you do not completely understand the grounding instructions, or if you are not sure the tool is properly grounded.

Refer to nether picture:



**WARNING: Improper connection of equipment grounding conductor can result in the risk of electrical shock. Equipment should be grounded while in use to protect operator from electrical shock.**

**WARNING:** This machine is for indoor use only. Do not expose to rain or use in damp locations.

#### **GUIDELINES FOR EXTENSION CORDS**

USE PROPER EXTENSION CORD. Make sure your extension cord is in good condition. When using an extension cord, be sure to use one heavy enough to carry the current your product will draw. An undersized cord will cause a drop in line voltage, resulting in loss of power and cause overheating.

Be sure your extension cord is properly wired and in good condition. Always replace a damaged extension cord or have it repaired by a qualified person before using it. Protect your extension cords from sharp objects, excessive heat and damp or wet areas.

#### **ELECTRICAL CONNECTIONS**

**WARNING: Make sure unit is off and disconnected from power source before inspecting any wiring. The power lines are inserted directly onto the switch. The green ground line must remain securely fastened to the frame to properly protect against electrical shock.**

## 4 Installation

### 4.1 Unpacking and Checking Contents

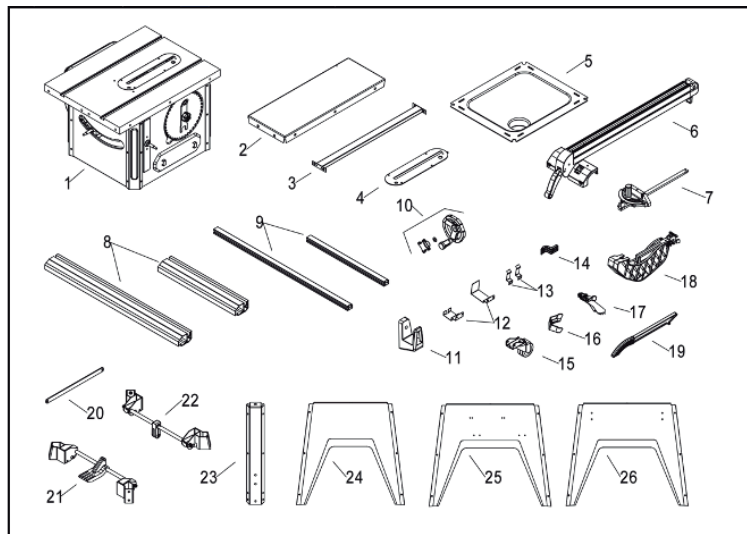
Carefully unpack the table saw and all its parts, and compare against the illustration following.

**WARNING:**

- To avoid injury from unexpected starting, do not plug the power cord into a power source receptacle during unpacking and assembly. This cord must remain unplugged whenever you are assembling or adjusting the machine.
- If any part is missing or damaged, do not plug the machine until the missing or damaged part is replaced, and assembly is complete.

#### TABLE OF LOOSE PARTS

Unpack carton; check you machine to see parts listed below:



Item	Parts Name	Item	Parts Name
1	TABLE SAW	15	CASTER (4)
2	EXTENSION TABLE (2)	16	FOOT (4)
3	BRACE	17	ANTI-KICKBACK PAWL ASSEMBLY
4	TABLE INSERT	18	BALDE GUARD ASSEMBLY
5	DUST CHUTE	19	PUSH STICK
6	RIP FENCE ASSEMBLY	20	LINK PLATE
7	MITER GAUGE ASSEMBLY	21	FRONT CASTER SUPPORT ASSEMBLY
8	FRONT RAIL (2)	22	REAR CASTER SUPPORT ASSEMBLY
9	REAR RAIL (2)	23	CORNER SUPPORT
10	HAND WHEEL WITH KNOB (2)	24	BASE PANEL "A" (2)
11	RIP FENCE STORAGE HOOKS (2)	25	BASE PANEL "B"
12	BLADE GUARD STORAGE HOOKS (2)	26	BASE PANEL "C"
13	PUSH STICK STORAGE HOOKS (2)	27	AAA BATTERY (2) The batteries are used for laser. They will not be supplied, if your table saw is not supplied lase
14	LINE CORDS HOOKS (2)		

**Hardware Bag #1 (For extension table assembly)**

M10X25 Socket head bolt (6)

10mm Lock washer

10mm Flat washer

**Hardware Bag #2 (For guide rail and brace assembly)**

M8X30 Hex head bolt (16)

M8X16 Hex head bolt (4)

8mm Lock washer (20)

8mm Flat washer (20)

M8 Hex nut (16)

M8 Acorn hex nut (4)

**Hardware Bag #3**

M10X25 Socket head bolt (4) (For assembling stand to main machine)

10mm Lock washer (4)

10mm Flat washer (4)

M8X16 Socket pan head screw (8) (For assembling caster supports to corner support)

M6X12 Socket pan head screw (24) (For assembling corner support to base panel)

M6X20 Socket pan head screw (4) (For assembling fence storage hooks and line cord hooks)

6mm Flat washer (4)

M6 Hex nut (4)

M4X8 Pan head screw (8) (For assembling push stick storage and blade guard storage hooks)

4mm Flat washer (8)

**Hardware Bag #4**

10/13mm Open end wrench

2.5 mm Hex wrench

4mm Hex wrench

5mm Hex wrench

6mm Hex wrench

8mm Hex wrench

**IMPORTANT:** Table is coated with a protectant. To ensure proper fit and operation, remove coating. Coating is easily removed with mild solvents, such as mineral spirits, and a soft cloth. Avoid getting solution on paint or any of the rubber or plastic parts. Solvents may deteriorate these finishes. Use soap and water on paint, plastic or rubber components. After cleaning, cover all exposed surfaces with a light coating of oil. Paste wax is recommended for table top.

**WARNING:** Never use highly volatile solvents. Non flammable solvents are recommended to avoid



## 4.2 Assembly

**CAUTION:** Do not attempt assembly if parts are missing. Use this manual to order replacement parts. Be certain all parts are clean and free of shipping preservative. Also, completely remove all parts of packing. Saw cabinet should be directly on the floor.

### SAW INSTALLATION

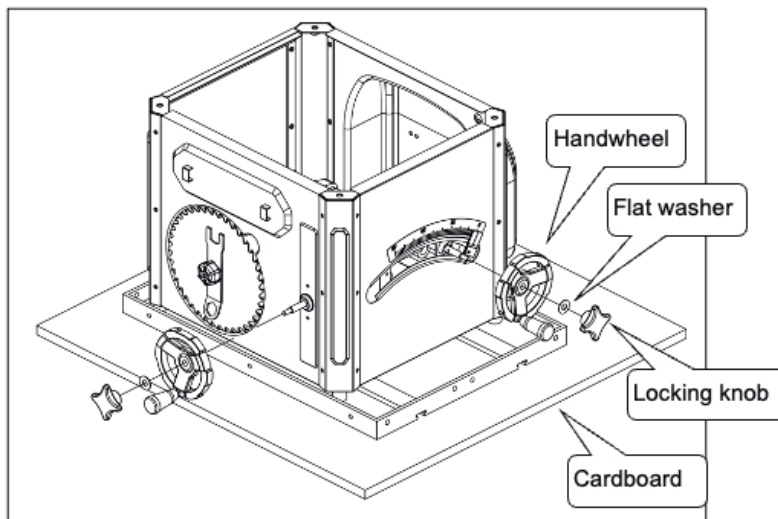
Positioning the saw on a level surface will improve stability and accuracy and prevent warpage and failure of cast components and welds.

**WARNING:** Make certain that the saw is disconnected from the power source.

### INSTALL HANDWHEELS

Refer to following figure

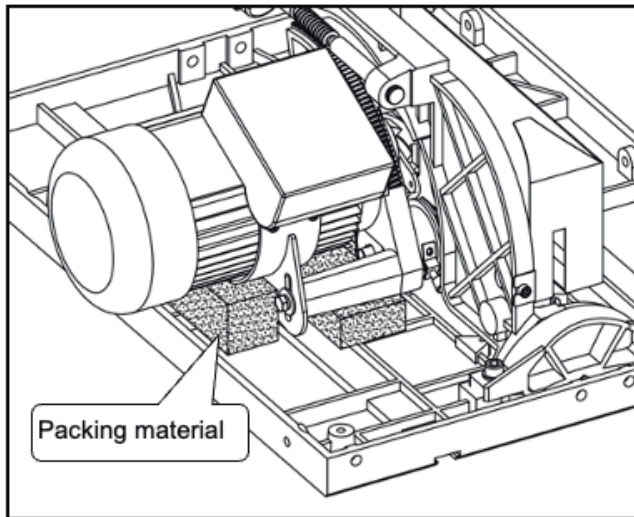
- Remove saw cabinet and place upside down on cardboard on floor.
- Place one of the handwheels onto the blade raise/lower shaft located on the front of the cabinet. Align the groove in the back of the handwheel with the pin.
- Thread the washer and locking knob onto the threaded end of the shaft.
- Repeat the steps above to assemble the remaining handwheel and locking knob onto the blade tilt shaft located on the side of the cabinet.



### REMOVE PACKING MATERIAL

Refer to following figure

- Use the blade tilt handwheel to tilt the motor completely to 45°.
- Remove the packing material from behind the motor.
- Return motor to the 0° position.



### ASSEMBLE MOBILE BASE PANELS

Refer to following figure

Tools Required: 4mm Hex wrench

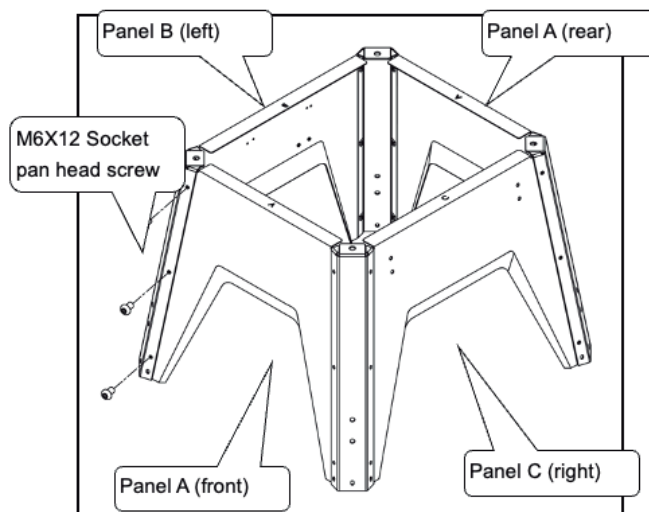
Hardware Required: Twenty-four M6 x 12 socket pan head bolts (Hardware bag #3).

- Attach the four panels to four corner supports using M6 x 12 socket pan head screws.

NOTE: Place the panel edges INSIDE the corner support surfaces.

NOTE: Front panel and rear panel are both stamped 'A'. Front panel has warning label.

- Turn all panels upside down to perform base assembly.



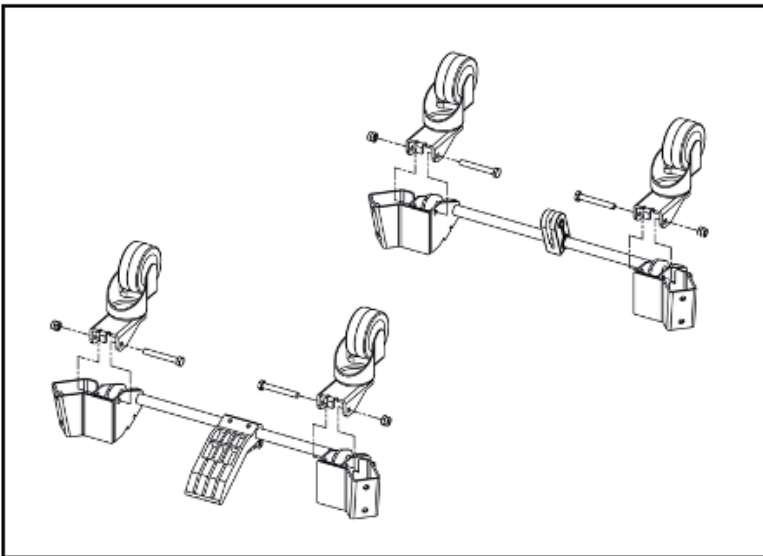
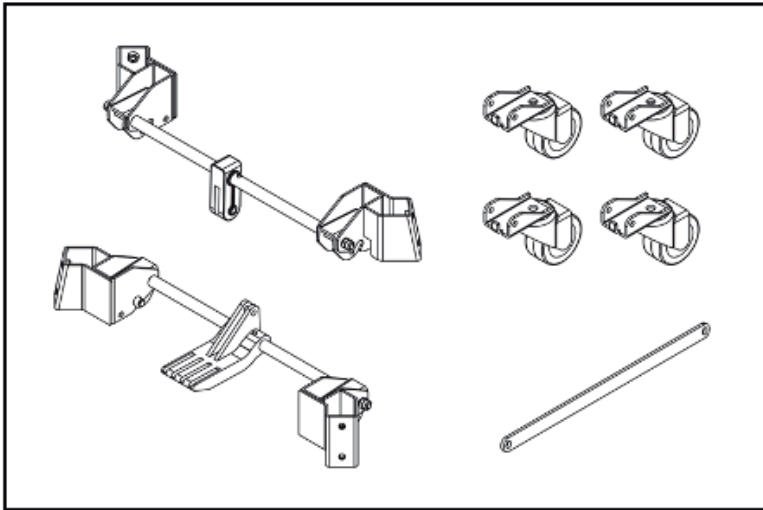
### ASSEMBLE CASTER SETS

Refer to following figure

Tools Required: 6mm Hex wrench, 13mm Open End Wrenches

- Remove casters (4), link plate and caster supports (2) from carton.
- Loosen and remove the bolt and hex nut from the bracket.

- Rotate foot pedal bar so that kick plate cam is inside bracket.
- The kick plate cam must be underneath the caster to function properly.
- Place caster onto the bracket and secure in position with bolt and hex nut.
- Repeat above steps for the second caster set.



#### **ATTACH CASTER SETS TO BASE**

Refer to following figure

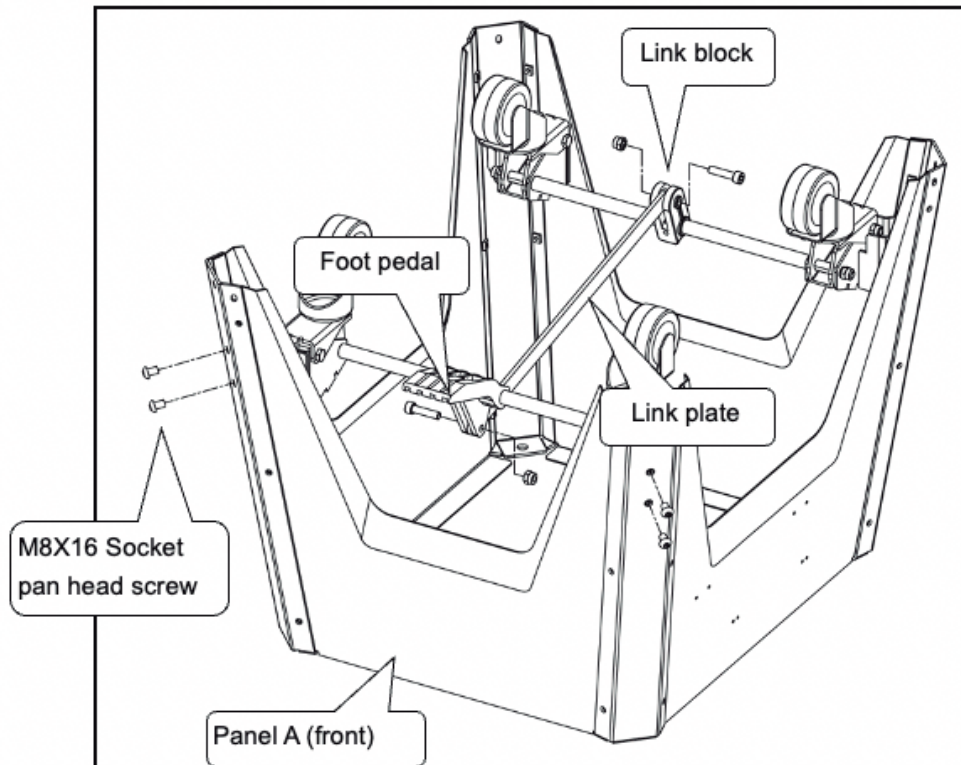
Tools Required: 5mm Hex wrench, 6mm Hex wrench and 13mm Open end wrench

Hardware Required: Eight M8 x 16 socket pan head screws (Hardware bag #3).

- Attach one caster set to the two front corner supports using four M8 x 16 socket pan head screws.
- Attach the remaining caster set to the two rear corner supports.
- Remove the socket head bolt and hex nut from the foot pedal, insert the link plate to the slot of foot pedal

and fix it by replacing the socket bolt and hex nut.

- Remove the socket head bolt and hex nut from the link block of rear caster set, insert the link plate to the slot of link block and fix it by replacing the socket bolt and hex nut.



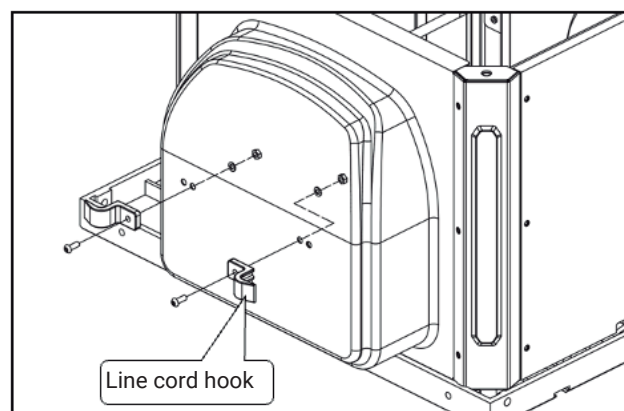
### ATTACH CORD WRAP HOOKS

Refer to following figure

Tools Required: 4mm Hex wrench, 10mm Open end wrench

Hardware Required: Two M6 x 20 socket pan head bolts, two M6 flat washers and two M6 hex nuts (Hardware bag #3).

- Insert a bolt into a cord wrap hook and place against the holes on the left side of the saw cabinet.
- Secure hook in position using flat washer and hex nut.
- Repeat for other hook.



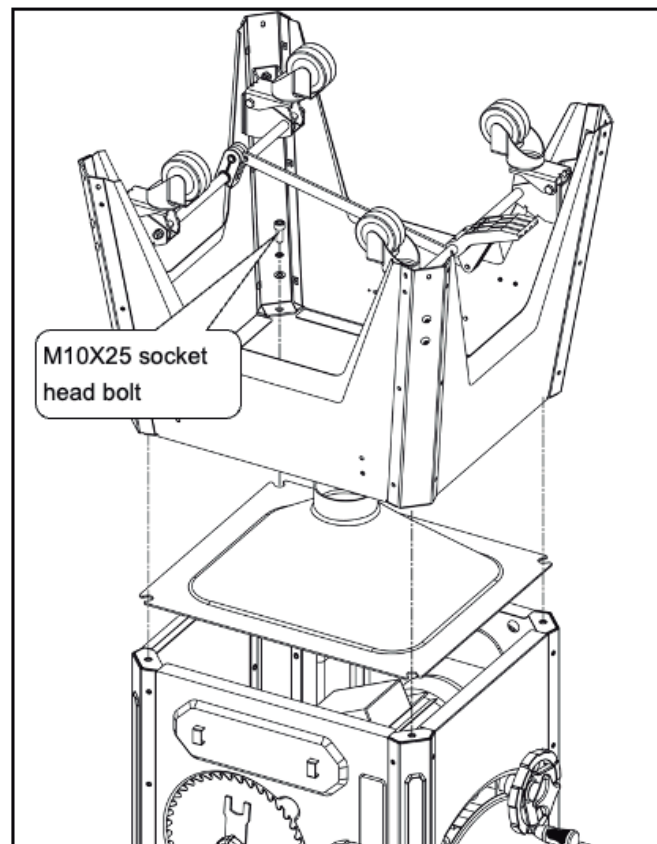
**ATTACH BASE TO CABINET**

Refer to following figure.

Tools Required: 8mm Hex wrench

Hardware Required: Four M10 x 25 socket head bolts, four 10mm lock washers and four 10mm flat washers (Hardware bag #3).

- Place dust chute over the cabinet as shown. Make sure the holes in the corners are aligned with the slots in the dust chute.
- Place the base assembly over the dust chute and secure the base assembly to the cabinet using the flat washers, lock washers and bolts.
- Secure all fasteners in the base assembly fully tight.

**ATTACH RIP FENCE STORAGE BRACKETS**

Refer to following figure.

Tools Required: 4mm Hex wrench and 10mm Open end wrench

Hardware Required: Two M6 x 20 socket pan head screws, two 6mm flat washers and two 6mm hex nuts (Hardware bag #3).

- Install the rip fence storage brackets to the right side panel of the base using two bolts, flat washers and hex nuts.

**BLADE GUARD AND PUSH STICK STORAGE BRACKETS**

Refer to following figure.

Tools Required: Phillips screwdriver

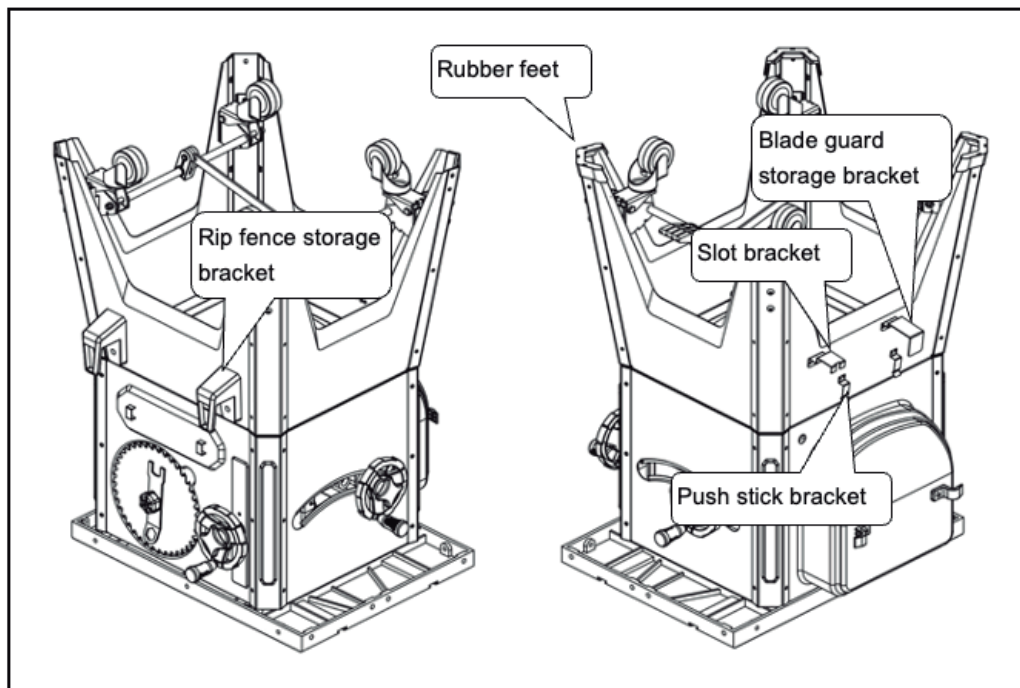
Hardware Required: Eight M4 x 8 pan head screws, eight 4mm flat washers (Hardware bag #3).

- Install the push stick storage brackets to the left side panel of the base using four screws and flat washers.
- Install the blade guard storage brackets to the left side panel of the base using four screws and flat washers.

**NOTE:** Attach the slotted bracket to the front side of the saw.

- Press the four rubber feet to the base legs.
- With the aid of an assistant turn the saw upright.

**WARNING:** To avoid injury, Do Not attempt to turn saw upright by yourself.

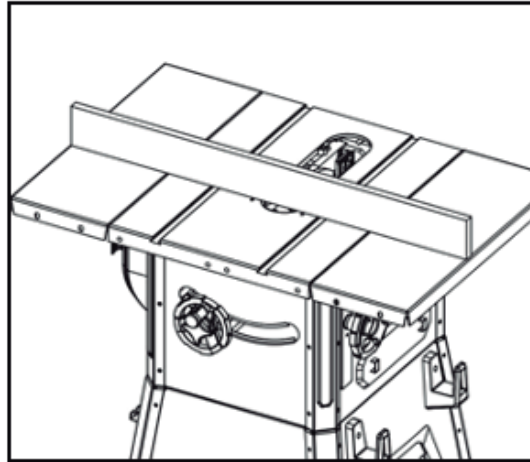
**ATTACH EXTENSION TABLES**

Refer to following figure.

Tools Required: 8mm Hex Wrench and Straight Edge

Hardware Required: Six M10 x 25 socket head bolts, six 10mm lock washers and six 10mm flat washers (Hardware bag #1).

- Assemble extension table to the table using socket head bolts, lock washers and flat washers.
- Wipe surface clean.
- Hand tightens only. Do not tighten completely until tables are level. Use a straightedge to level tables.
- Repeat above procedure for the other extension table.
- Use a straight edge to check level and flatness between main and extension tables.
- After tables are adjusted level and flat, secure the extension tables by tightening the bolts completely.

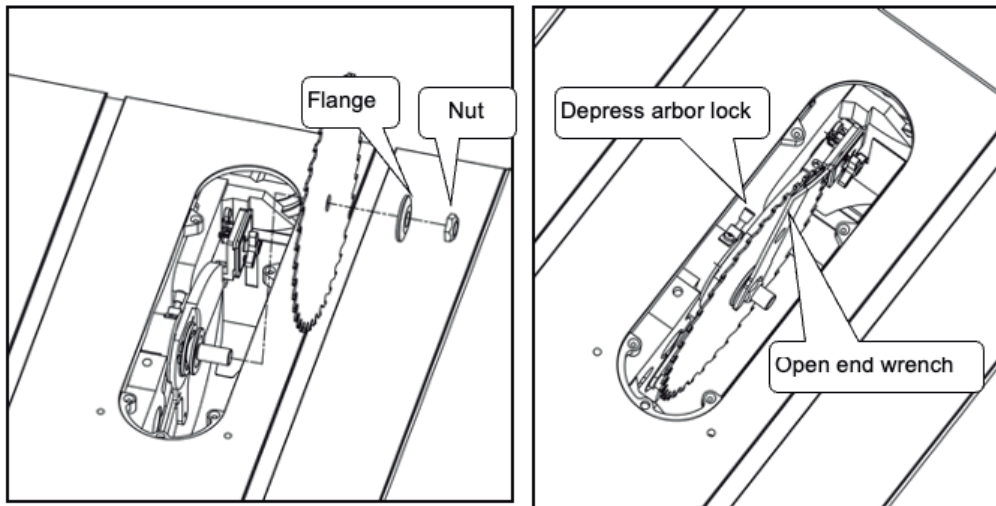


### INSTALL BLADE

Refer to following figure.

Tools Required: 24mm Open end Wrench

- Loosen knob on right side of cabinet.
- Remove blade and wrench. Replace knob.
- Raise blade assembly all the way up.
- Depress arbor lock and use wrench to loosen flange nut. Remove flange and nut from arbor.
- Place blade on arbor. Make sure arrow on blade and teeth point towards front of saw.
- Replace flange and nut on arbor and securely snug blade in position.



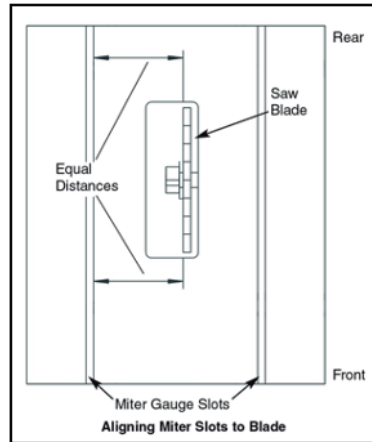
### CHECK TABLE ALIGNMENT

Refer to following figure.

- Saws are shipped from the factory with the table adjusted so the miter gauge slots are parallel to the saw blade. However, in order to obtain the best results from the saw, it is suggested this adjustment be checked before operating.
- A simple method of checking alignment is as follows: Bolt or clamp a dowel rod or similar object to miter



gauge (a combination square can be substituted). Pick out a tooth on front of blade and set the dowel to it so it is just touching. Move same tooth to back of blade.



- Gauge this tooth with the dowel rod. If the tooth is in the same position, relative to the miter gauge slot, the table is parallel with the blade. In short, the miter gauge slots must be parallel with the blade. This means that when measuring distance between blade and miter gauge slot at the front and rear of the blade, the distances will be equal.

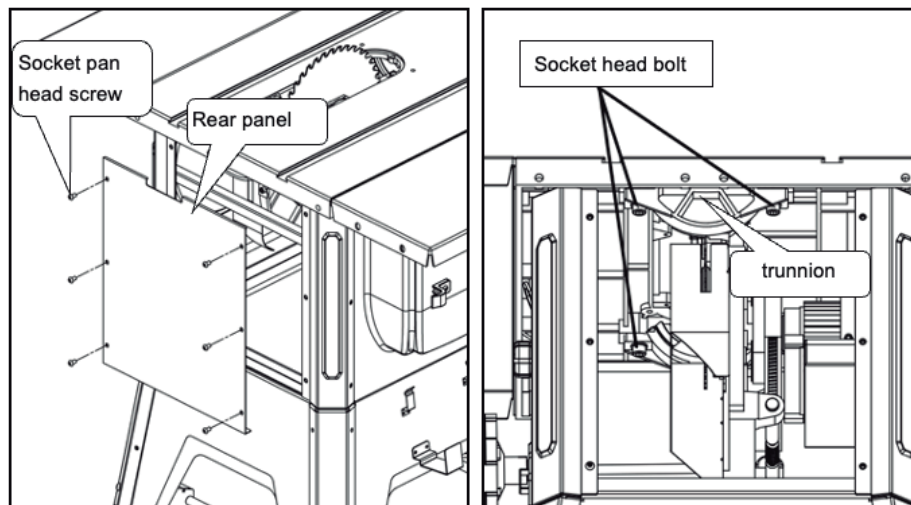
NOTE: Be sure to measure the distance or make the test on the same tooth of the saw blade in both front and rear positions.

- If an adjustment is necessary, proceed as follows: Loosen and remove the six socket pan head screws and the rear panel. Loosen the four socket head bolts on the trunnion and shift trunnions until a position is found where the saw blade is parallel to the miter gauge slots.

NOTE: Saw blade should also be centered within its table insert opening.

- Tighten the four socket head bolts and lock washers very securely. This procedure will set the table and blade in parallel position and prevent the trunnion from shifting.

NOTE: If you perform this adjustment, leave the back panel off to perform rear rail assembly as described in the next section.



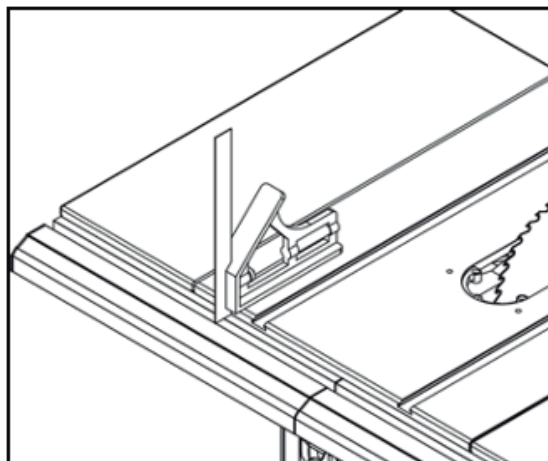
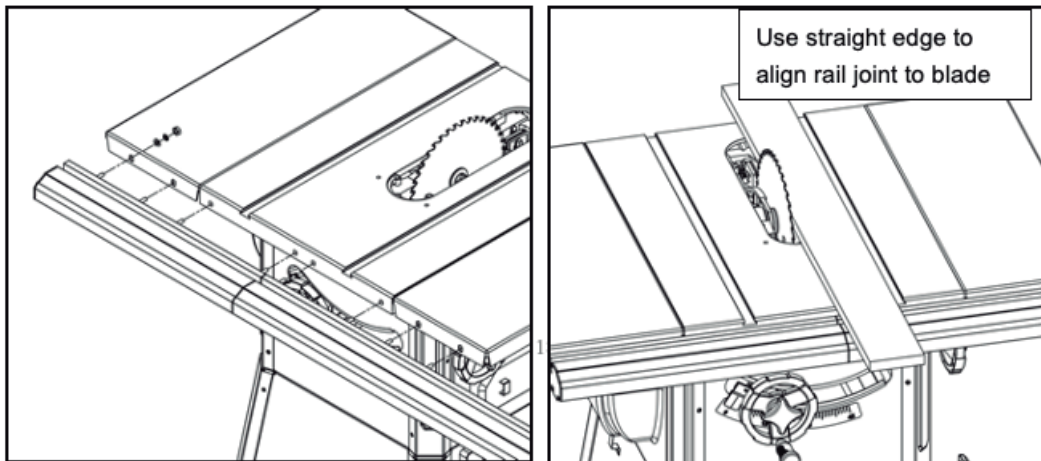


**RAIL ASSEMBLY**

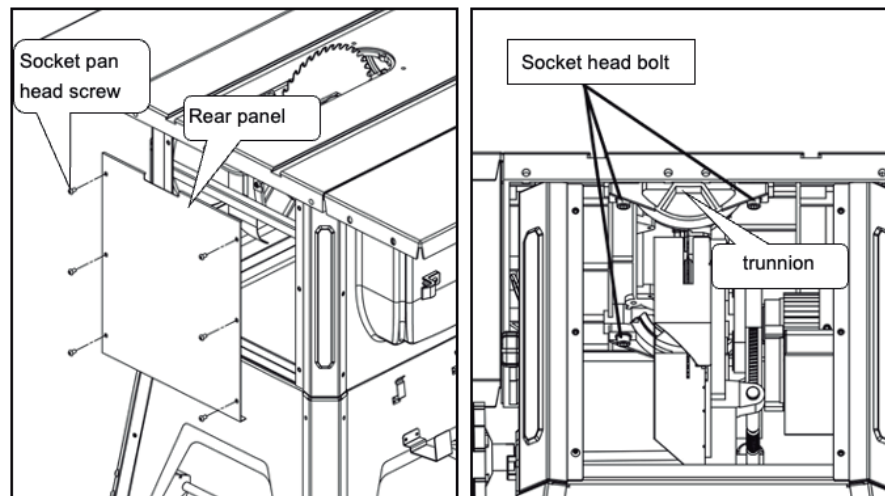
Tools Required: 13mm Open end Wrench

Hardware Required: Sixteen M8 x 30 hex head bolts, four M8 x 16 hex head bolts, twenty 8mm lock washers, twenty 8mm flat washers, sixteen M8 hex nuts and four M8 acorn nuts. (Hardware bag #2).

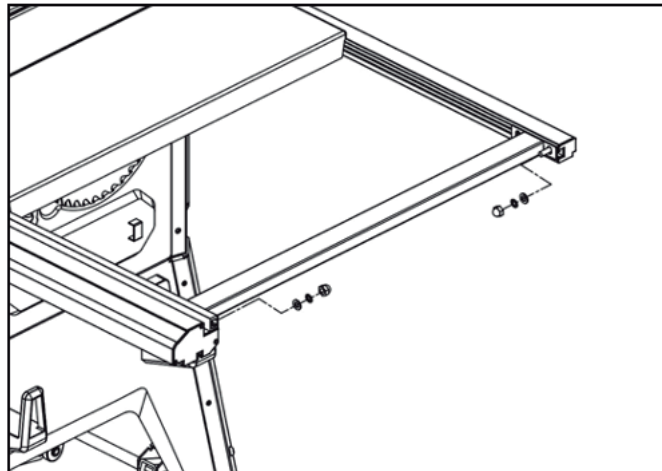
- Insert four M8 x 30 hex head bolts into the T-slot of the right front guide rail.
- Attach right front rail to the table and right table extension using flat washers, lock washers and hex nuts.  
NOTE: Hand tighten all hardware during rail assembly. Do not completely tighten hardware until all rails are mounted.
- Attach left front rail in the same manner.  
NOTE: You may have to shift right rail as far right as it will go to attach left rail.
- Position rails so that rails are butted together and the joint between rails is aligned with right side of the blade. You may need a mallet to lightly tap rails together. Make sure rails are completely butted together at the joint.
- Use a straight edge as shown to check level and flatness between right and left rail. Use a combination square as shown to make certain that both front rails are parallel to the table surface.
- After front rails are adjusted level and flat, tighten the screws completely.
- Secure all hardware completely.



- Loosen and remove six socket pan head screws and the back panel. This will allow easier attachment of the rear rails.
- Install the rear rails in the same manner as the front rails and align the rail joint to the blade.
- Replace back panel of the cabinet.



- Insert M8 x 16 hex bolts through holes in bracket at each end of brace. Attach brace to the far right end of the rails by sliding hex bolts into the rail T-slots. Secure bolts in position with flat washers, lock washers and nuts.

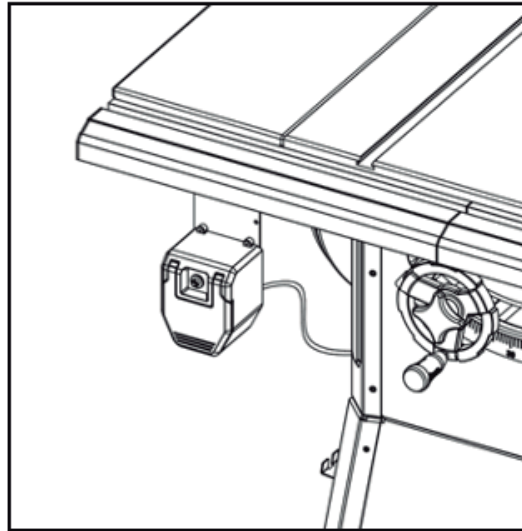
**ATTACH SWITCH ASSEMBLY**

Refer to following figure.

Tools Required: 10mm Open end Wrench

Hardware Required: Two M6 x 16 hex head bolts, two 6mm flat washers, two 6mm lock washers and two M6 hex nuts. (Attached on the switch assembly support bracket.)

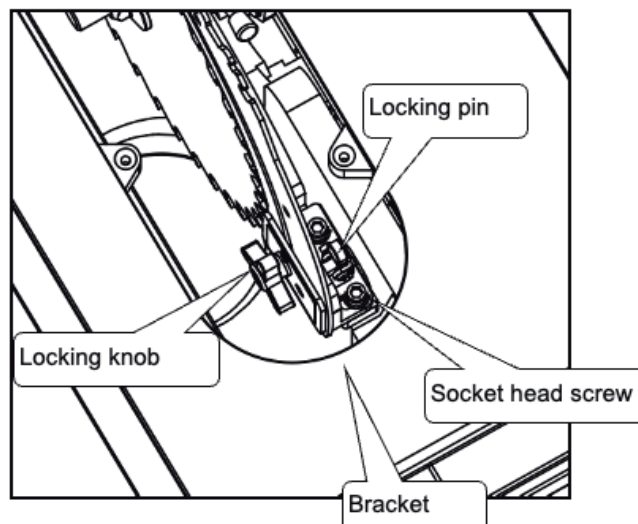
- Insert bolt heads into T-slot on bottom of left front rail.
- Slide switch assembly 6" to 8" from left end of rail as shown in figure.
- Fully tighten flat washers, lock washers and hex nuts to secure switch assembly in place.



#### **POSITION AND ADJUST RIVING KNIFE**

Refer to following figure.

- Riving knife is installed on the saw. Raise the blade completely to access the riving knife.
- Loosen the locking knob and raise the riving knife to its highest position. Riving knife has three holes for three positions. The highest position is for all thru cuts. The middle position is for rabbets and other non-thru cuts, (with guard and pawls removed). The lowest position is for dado cuts.
- Make sure locking pin is aligned with riving knife hole and secure in position by tightening locking knob.
- Riving knife must be in line with blade. Make sure riving knife sits flat against mounting bracket and lock plate.



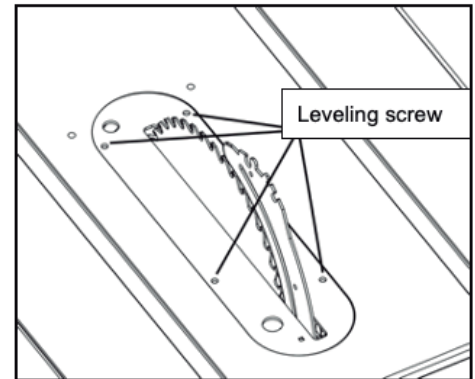
### RIVING KNIFE TO BLADE ADJUSTMENT

- Riving knife to blade clearance: the gap between the riving knife and the saw blade should be an even distance across the entire radius.
- The riving knife should also be in line with the saw blade. If adjustment is necessary:
  1. Locate the riving knife bracket.
  2. Loosen the two socket head screws slightly enough to move the bracket, bringing the riving knife in line with the saw blade. Make sure the gap between the blade and knife is even and from 1/4 to 5/16" in distance.
  3. Once the riving knife is aligned with the blade, tighten the socket head cap screws.

### INSTALL TABLE INSERT

Refer to following figure.

- Make sure that the riving knife is raised to its highest position.
- Place table insert into throat of table.
- Insert is held in position by magnet in table.
- To adjust insert level with table, adjust leveling screws up or down.

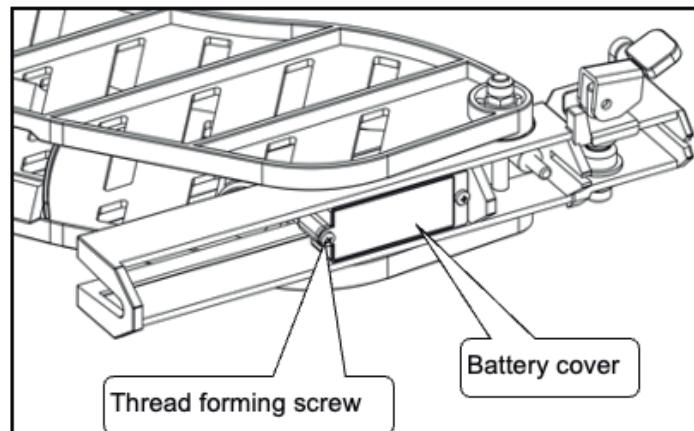


### ATTACH BLADE GUARD WITH LASER AND ANTI-KICKBACKPAWLS

Refer to following figure.

- Remove the thread forming screw and the battery cover. Insert the two AAA batteries and replace the battery cover and thread forming screw.

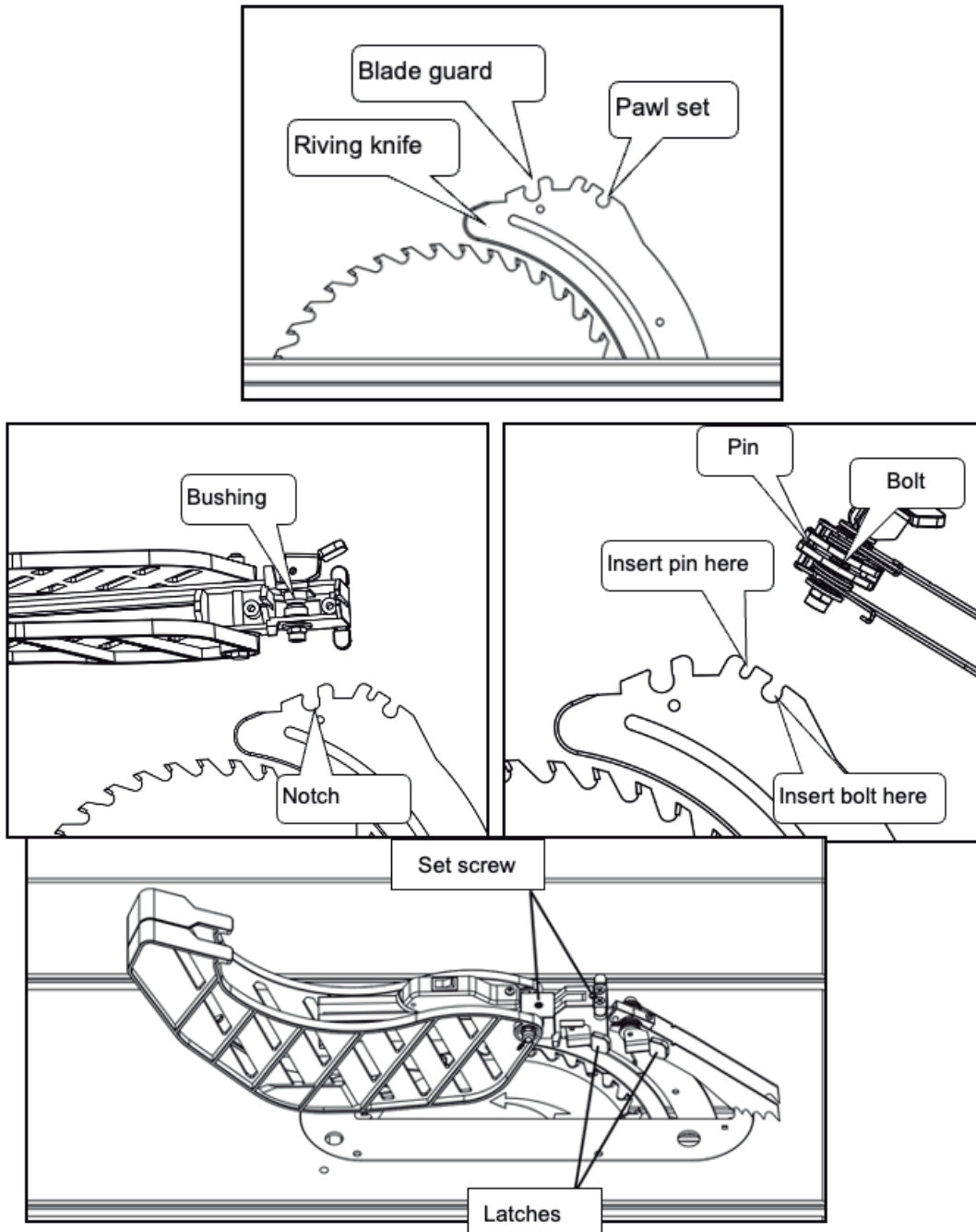
**The laser is an optional accessory. If your machine has not this part, skip this step.**



- Place the slot of blade guard body over the riving knife. Slot of bushing is placed in the notch indicated in following figure.
- The bushings have a beveled edge and must be located in the center of the notch to lock properly.

- Position guard completely down on riving knife and press latch to lock in position.
- Blade guard body should be parallel to the table. If not, adjust the 2mm set screws as necessary.
- Place anti-kickback pawl set onto riving knife at notches indicated. The spring pin is placed in the front notch and bolt is placed in the rear notch.
- Press pawl set completely down and press latch to secure in position.

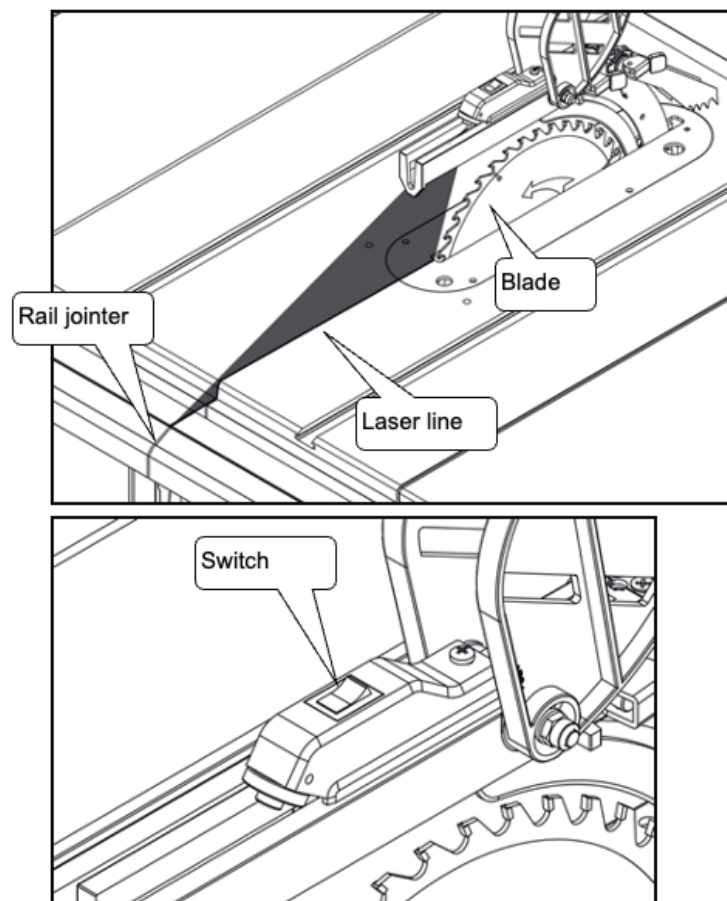
NOTE: The teeth of anti-kickback pawls should touch table surface. Use set screws to adjust if needed.



**CHECK AND ADJUST THE LASER**

**The laser is an optional accessory. If your machine has not this part, skip this step.**

- Turn on the switch, check if the laser line is in the middle of the blade and rail jointer. If not, some adjustments are needed. (The rail jointer should have been aligned with blade)
- To adjust the laser line:
  - Loosen the two set screw.
  - Move and rotate the laser generator to adjust the laser line, make it is in the middle of the blade and rail jointer.
  - Retighten the two set screw.

**INSTALL MITER GAUGE**

Refer to following figure.

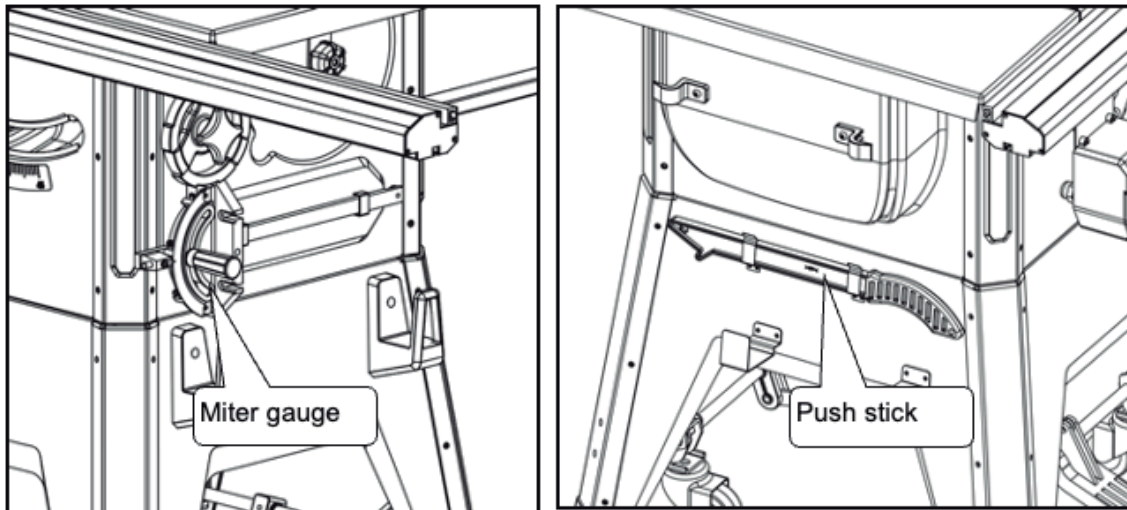
- The miter gauge comes preassembled. Unpack the miter gauge and clean thoroughly. Insert into storage slots on right side of cabinet.

**INSTALL PUSH STICK**

Refer to following figure.



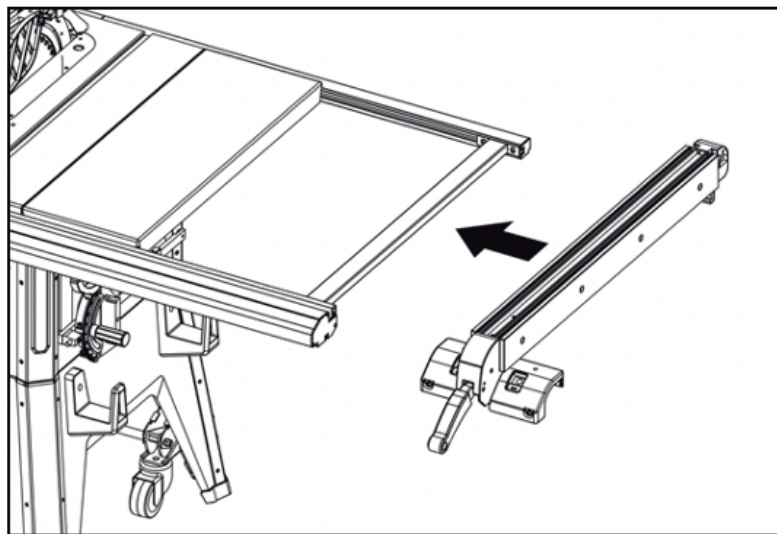
- Insert the push stick into brackets on left side of base.
- 



#### INSTALL RIP FENCE

Refer to following figure.

- Position rip fence assembly at end of saw. Be certain locking lever is in UP unlocked position.
- Place rip fence assembly onto rails, positioning clamp over rear rail and then placing rip fence onto front guide rail.
- Rip fence should now ride freely on rip fence rails. Once rip fence is completely installed, it should be parallel with the miter gauge and perpendicular to the table. If not, refer to "Rip Fence Adjustment" in the Operation section of this manual.



## 5 Operating Procedures

### 5.1 Description

The 10" contractor saw offers precise cutting performance for all woods up to 3-1/8" thick. The saw is designed for the professional user and is ruggedly constructed for continuous service. The 10" Saw is recommended for use with a 10" blade.

The saw features an extra large cast iron table. Saw body has on board storage for push stick, miter gauge, rip fence and saw blades. Saw is equipped with a riving knife and a clear acrylic blade guard with anti-kickback feature. Cabinet is constructed of heavy gauge welded steel, totally enclosed and is ported for a 4" vacuum hose. Rip Fence Assembly features a heavy-duty precision rip fence that is designed for simple and one-hand maneuverability. Front rail is calibrated in inches and millimeters with a magnified window for close tolerances.



**Warning! Danger – Disconnect power before attempting any of the following procedures. Be certain switch is in OFF position and safety disconnect (or breaker) is in OFF or open position. Saw blade must not be moving. Saw blade will rotate freely after motor is turned off. Allow blade to come to a complete stop before attempting any of the following procedures.**



**Warning! The operation of any power tool can result in foreign objects being thrown into the eyes, which can result in severe eye damage. Always wear safety goggles complying with the standard of your country before commencing power tool operation.**

### 5.2 Starting and Stopping the Saw

Refer to following figure.

**WARNING:** Never operate saw without blade guards in place. Be sure blade is not in contact with workpiece when motor is started. Start motor and allow saw to come to full speed.

**WARNING:** Make sure the electrical characteristics of motor nameplate and power source are the same.

- The ON/OFF switch is located under the front rail of the table saw at the left side.
- To turn saw on, stand to either side of the blade—never inline with it. Turn on the switch. Always allow saw blade to come up to full speed before cutting.
- Do not turn motor switch ON and OFF rapidly. This action overheats the motor and may cause saw blade to loosen.
- Never leave saw while the power is on.
- To turn the table saw off, press the large red OFF paddle or turn off the switch. Never leave saw until cutting tool has come to a complete stop.

**WARNING:** Never operate saw without blade guards in place. Be sure blade is not in contact with workpiece when motor is started. Start motor and allow saw to come to full speed.



### 5.3 Adjustment

#### BLADE HEIGHT ADJUSTMENT

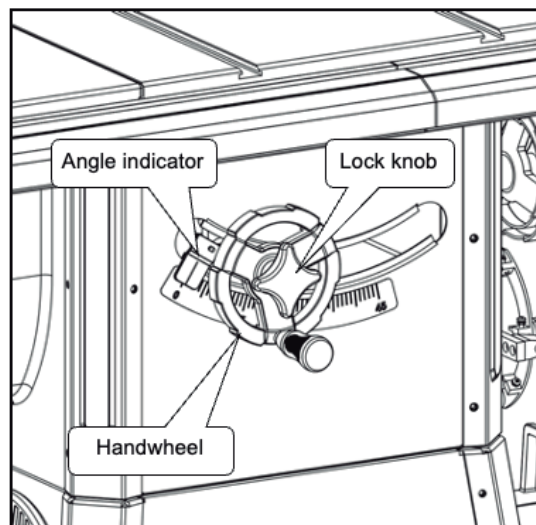
Refer to following figure.

- Blade height is controlled by handwheel on the front of the saw.
- To adjust height, loosen locking hand knob. Rotate knob counterclockwise approximately three turns. Turn handwheel to desired blade height.

**CAUTION:** For safety, blade should be raised only 1/8" above the surface of the material to be cut. However, if hollow ground blades are used, raise blade to its maximum height to allow for greater blade clearance.

- Lock blade height into position. Lock handwheel by tightening locking knob clockwise. Tighten only until snug.

**IMPORTANT:** Do not over tighten. Only a small amount of pressure is necessary to lock handwheel securely.



#### BLADE TILT ADJUSTMENT

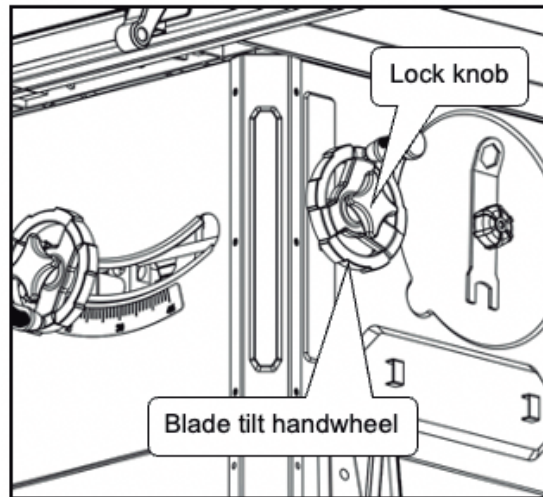
Refer to following figure.

- Blade height is controlled by handwheel on the front of the saw.
- To adjust height, loosen locking hand knob. Rotate knob counterclockwise approximately three turns. Turn handwheel to desired blade height.

**CAUTION:** For safety, blade should be raised only 1/8" above the surface of the material to be cut. However, if hollow ground blades are used, raise blade to its maximum height to allow for greater blade clearance.

- Lock blade height into position. Lock handwheel by tightening locking knob clockwise. Tighten only until snug.

**IMPORTANT:** Do not over tighten. Only a small amount of pressure is necessary to lock handwheel securely.



### 90° STOP ADJUSTMENT

Refer to following figure.

- Raise saw blade above table as far as possible. Set blade at 90° to table by turning the tilting handwheel. Place a square on table and check to see if blade is perpendicular to the table. When checking put square flush against saw blade. Do not put square on teeth of saw blade.
- If the blade will not tilt to 90°, turn (counterclockwise) the set screw at the left front of the table insert until the blade can be positioned to 90°.
- Once the blade has been tilted to 90° (confirm this using your square), tighten the bevel handwheel lock knob, located on the side of the cabinet. This will keep the blade from tilting further.
- Turn the set screw (clockwise) until it comes in contact with the positive stop.
- Check tilt indicator pointer. If necessary, adjust pointer so it points to 0° mark on scale. To adjust pointer, remove handwheel and loosen screw on pointer. Be sure to tight-en screw securely after adjustment is completed.

### 45° STOP ADJUSTMENT

Refer to following figure.

- Tilt the saw blade to 45°. Using a combination square, check to see if blade is 45° to the table.
- If the blade will not tilt to 45°, turn (counterclockwise) the set screw located at the right of the table insert, until the blade can be positioned to 45°.
- With the blade at 45°, tighten the bevel handwheel lock knob to keep the blade from further tilting.
- Turn the set screw clockwise until it comes in contact with the positive stop.

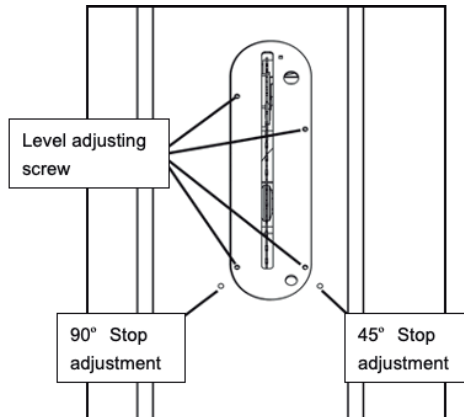
### TABLE INSERT ADJUSTMENT

Refer to following figure.

- The table insert must always be level with the saw table.
- Place a straight edge across the front and rear of the table insert. Check that the insert is perfectly level with

the saw table.

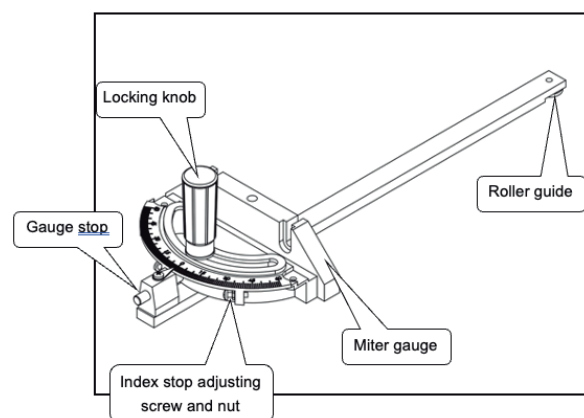
- To level the table insert, turn one or more adjusting setscrews as needed and recheck.
- The table insert is equipped with two finger holes for easy removal.



### MITER GAUGE ADJUSTMENT

Refer to following figure.

- Miter gauge supplied with saw is equipped with individually adjustable index stops at 0° and 45°, right and left, and can be manually adjusted up to 60° right and left. Adjustment to index stops can be made by loosening locking nut and tightening or loosening three adjusting screws. Be sure to tighten locking nut after adjustment is made.
- Face of miter gauge has two holes for purpose of attaching auxiliary facing.
- Miter gauge is accurately constructed for precision work. Miter gauge is guided through T-slot with a roller guide mounted at front of guide bar. Roller guide adds to miter gauge's stability and prevents the guide bar from leaving T-slot.
- To operate miter gauge, simply loosen locking knob and move miter gauge to desired angle. The miter gauge will stop at 0° and 45°, both right and left. To position miter gauge past these points, simply pull out gauge stop. Position miter gauge at desired angle and tighten locking knob.
- Be positive the edge of workpiece next to face of miter gauge is straight and tight against miter gauge so that the workpiece does not rock or rotate. Always use both hands when operating the miter gauge.
- The miter gauge is used for cross-cutting, compound miter cutting, miter cutting, rabbeting, bevel cutting and dadoing.



### RIP FENCE ADJUSTMENT

- The saw's rip fence is precision manufactured, incorporating fine adjustments for accurate cuts. The saw is built to allow the operator to accurately adjust the rip fence without problems in a matter of seconds.

### LEVELING THE FENCE TO THE TABLE

- Lift the lock handle to unlock the fence.
- Observe the space between the fence bottom and the table. The space should be equal along the entire length of the fence.
- If the space is not equal, the rails need to be adjusted so that rails are at the same vertical position with respect to the table. See Rail Assembly.

### SETTING CLAMPING PRESSURE

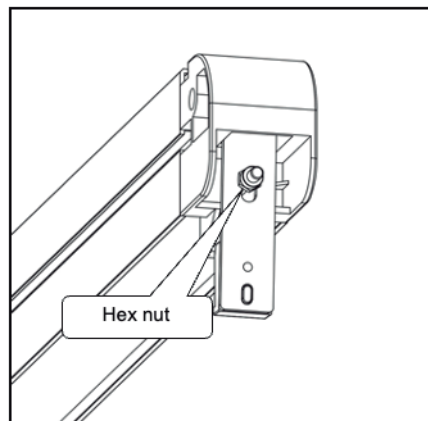
Refer to following figure.

Rip fence has been adjusted at the factory to lock securely when the lock handle is pushed down. To adjust:

- Unlock fence and remove it from the rails.
- Adjust the hex nut until the fence is held securely when the lock handle is pushed down,

### SETTING FENCE PERPENDICULAR AND PARALLEL

Refer to following figure.

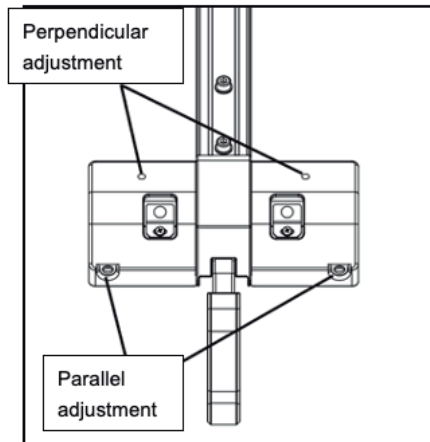


### PERPENDICULAR ADJUSTMENT

- Position fence anywhere on table and lock it down.
- Place a square on the table next to the fence and check to see that the fence is at 90° to the table.
- If an adjustment is necessary, unlock the fence and turn either of the two adjusting screws.

**NOTE:** This is for micro-adjustment only. If fence cannot be adjusted square, recheck rail adjustment.

- Lock fence in position and recheck. Continue this procedure until fence is square to the table.



### PARALLEL ADJUSTMENT

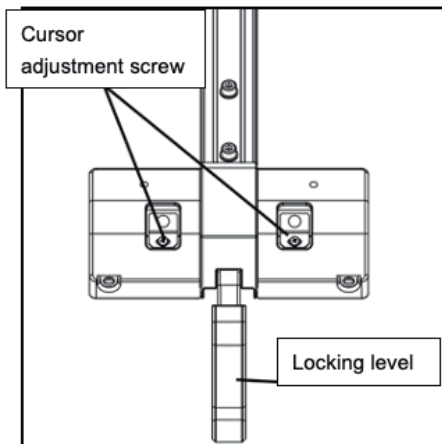
- Position fence so that fence edge is aligned with slot edge.
- Slot and fence edge should be parallel.
- If an adjustment is necessary, unlock the fence and turn either of the two adjusting screws.
- Lock fence in position and recheck. Continue this procedure until fence is square to the table.

### CURSOR ADJUSTMENT

Refer to following figure.

- Raise the saw blade above the table.
- Position the fence several inches to the right of the saw blade.
- Lock the fence down and measure the exact distance between the saw blade and the inside of the fence.
- Loosen the two screws on the lens and slide it left or right until the cursor (red line) equals the measurement obtained in the previous step.
- Retighten the screws and make a test cut. Measure the cut piece to verify that the cursor is set correctly.

**NOTE:** This adjustment should be checked whenever a new blade is installed.



### RIP FENCE OPERATION

Refer to following figure.

- Unlock the fence by lifting the locking lever. Using the scale for placement, position the rip fence. Lock the rip fence into position by placing the locking lever in the down position.
- The rip fence is used for the following operations: ripping, bevel ripping, ploughing, resawing, rabbeting and dadoing

### INSTALLING AND REMOVING THE RIVING KNIFE

Refer to following figure.

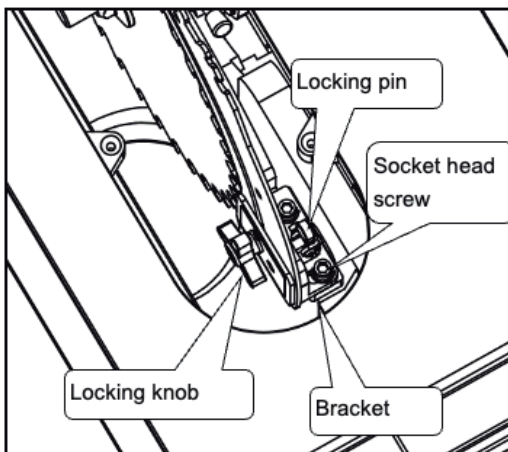
#### Install

- Line up the riving knife in the proper direction to the mounting bracket.
- Push the riving knife all the way down into the mounting bracket. Make sure the lock pin is locked in the hole of the riving knife. (The lock hole is on the button side of the riving knife).
- If the riving knife is not locked properly, hold the locking knob and pull the lock pin out; then re-insert the pin securely in the hole of the riving knife. While raising or lowering the knife, pin will snap in the hole of the knife when located at one of the three positions.
- Tighten the locking knob.

#### Remove

- Loosen the locking knob.
- Hold the knob and pull the locking pin out.
- Remove the riving knife out of the mounting bracket.

**NOTE:** Make sure blade is at the highest position before adding or removing the riving knife.



**WARNING:** For your own safety, always observe the following safety precautions.

- Never make any cut freehand (without using miter gauge or rip fence). Blade can bind in the cut and cause a kick-back.
- Always lock miter gauge or rip fence securely when in use.
- Remove rip fence from the table when miter gauge is in use.
- Remove miter gauge from table when rip fence is in use.

- Make sure blade guard is installed for all “through sawing” operations. Through sawing operations are those operations in which the saw blade cuts completely through the thickness of the wood. Replace guard immediately after completion of resawing, rabbeting and dadoing. Frequently check action of anti-kickback pawls by passing the workpiece alongside the spreader while saw is off. Pull the workpiece toward you. If the pawls do not dig into the workpiece and hold it, the pawls must be sharpened. (See Maintenance section)
- Have blade extend approximately 1/8" above top of workpiece. Additional blade exposure increases hazard potential.
- Do not stand directly in front of blade in case of a kick-back. Stand to either side of the blade.
- Keep your hands clear of the blade and out of the path of the blade.
- If the blade stalls or stops while cutting, turn switch OFF and safety disconnect OFF before attempting to free the blade.
- Do not reach over or behind the blade to pull the work-piece through the cut, to support long or heavy work-pieces, to remove small cut-off pieces of material or for any other reason.
- Do not pick up small pieces of cut-off material from the table. Remove them by pushing them off table with a long stick. Otherwise they could be thrown back at you by the rear of the blade.
- Do not remove small pieces of cut-off material that may become trapped inside blade guard while saw is on. This could endanger your hands or cause a kickback. Turn saw off. After blade has stopped turning, lift guard and remove the piece.
- Always lower blade below the table level when machine is not in use.

## 5.4 Types of Cuts/Operations

### CROSSCUTTING

**WARNING:** Use caution when starting the cut to prevent binding of the guard against the workpiece.

This cut is performed with the miter gauge set at “0”, and is used for cutting across the workpiece grain at 90° (blade square with both the edge and flat side of wood).

### MITER CUTTING

**WARNING:** Miter angles greater than 45° may force the blade guard assembly into the saw blade causing damage to the blade guard assembly and personal injury. Before starting the motor, test the operation by feeding the workpiece into the blade guard assembly. If the blade guard assembly contacts the blade, place the workpiece under the blade guard assembly, not touching the blade, before starting the motor.

**WARNING:** Certain workpiece shapes, such as molding may not lift the blade guard assembly properly. With the power off, feed the workpiece slowly into the blade guard area and until the workpiece touches the blade. If the blade guard assembly contacts the blade, place the workpiece under the blade guard assembly, not touching the blade, before starting the motor.

This cut is performed with the miter gauge, and is used for cutting at an angle other than 90° square with the edge of the workpiece.

### BEVEL CROSSCUTTING

**WARNING:** When possible, use the right miter gauge slot when bevel crosscutting so that the blade tilts away

from the miter gauge and your hands.

**WARNING:** Use caution when starting the cut to prevent binding of the guard against the workpiece.

This cut is performed with the miter gauge, and is the same as crosscutting, except that the workpiece is also cut at an angle other than 90° square to the flat side of the wood (blade is at an angle).

### COMPOUND MITER CUTTING

This cut is performed with the miter gauge, and is a combination of miter cutting and bevel crosscutting. The cut is made at angle other than 90° to both the edge and flat side of wood.

### RIPPING

**WARNING:** When bevel ripping and whenever possible, place the fence on the side of the blade so that the blade is tilted away from the fence and hands. Keep hands clear of the blade and use a push stick to feed the workpiece if there is less than 6" between the fence and the blade.

This cut is performed with the rip fence, and is used to cut the workpiece lengthwise with the grain. Position the fence to the desired width of rip and lock in place. When ripping long boards or large panels, always use a work support.

### BEVEL RIPPING

**WARNING:** Before connecting the table saw to the power source or operating the saw, always inspect the blade guard assembly and riving knife for proper alignment and clearance with saw blade. Check alignment after each change of bevel angle.

**WARNING:** When possible, place the fence on the right side of the blade so that the blade is tilted away from the fence and hands. Keep your hands clear of the blade and use a push stick to feed the workpiece if there is less than 6" between the fence and the blade.

This cut is performed with the rip fence, and is the same as ripping, except that the blade is set at an angle other than 90°.

### RESAWING

This cut is performed with the rip fence, and is used to rip a workpiece through its thickness rather than across its flat width. Do not attempt to resaw bowed or warped material.

**NOTE:** It may be necessary to remove blade guard and use work supports as well as push blocks when performing this operation.

**WARNING:** Install blade guard immediately upon completion of resawing operation.

### PLOUGHING

This cut is performed with the rip fence, and is used to make a groove lengthwise with the grain of the workpiece. Use proper hold downs and feed devices.

### RABBETING

This cut is performed with either the miter gauge or rip fence. Rabbeting is used to cut out a section of the corner



of a workpiece, across an end or along an edge. To make a rabbet requires cuts which do not go all the way through the material. Therefore, blade guard must be removed. Install blade guard immediately upon completion of rabbeting operation. Rabbet cuts can also be made using dado head.

### **DADOING**

This cut is performed with either the miter gauge or rip fence. Dadoing is done with a set of blades (dado set) rather than standard saw blades. The dado set is used to groove wood similar to ploughing and rabbeting. However, the dado set allows operator to remove more material in one pass. The operator, with a dado set, can vary width of cut up to 13/16".

Instructions for operating dado set are contained in owner's manual furnished with dado set. Dadoing requires cuts which do not go all the way through material. Therefore, blade guard must be removed. Dado sets have different characteristics than saw blades. As a result, saw must be fitted with special parts that are furnished with saw.

When using a dado set, the following parts must be substituted dado table insert (not included).

**IMPORTANT:** Always use correct insert. When using the dado set, use caution. Use feather boards and push sticks as applicable.

**WARNING:** Always immediately replace the standard blade, blade guard and blade insert when you are finished dadoing.

### **FREEHAND**

Freehand is a very dangerous operation of making a cut with-out using the miter gauge or rip fence. Freehand cuts must never be performed on a Table Saw.

### **CUTTING OVERSIZED WORKPIECES**

When cutting long workpieces or large panels, always support workpiece that is not on table. Use adjustable roller stand or make simple support by clamping a piece of plywood to sawhorse. Add facings to miter gauge or rip fence as needed.

**IMPORTANT:** Do not allow facings to interfere with operation of blade guard.

### **DUST COLLECTING**

- Saw is fitted with a 4" male exhaust port.
- Before starting saw, see that all adjustments are properly made and guards in place. With power disconnected, turn pulley by hand to make sure everything is correct before connecting power and starting saw.
- 

### **BLADE SELECTION**

Blade selection is based on type of material being cut and how it will be cut. There are three general types of saw blades: rip saw blades cut with grain of wood, cut-off saw blades cut across grain, and combination saw blades cut with grain, across grain and any angle to grain.

Blades vary in many aspects. When selecting a blade, the following blade characteristics should match up with operation to be performed and type of material to be cut: type of steel; quality of steel; tooth style; tooth set;

carbide tipped; grind; number of teeth and size.

**IMPORTANT:** Your saw is only as accurate and efficient as blade or cutting tool used.

First, be certain to use the appropriate type of cutting tool for the operation to be performed. Second, it is strongly recommended that high-quality blades and cutting tools be used. Be certain blades and cutting tools are kept sharp and in good working order. Check blades periodically and replace or sharpen if necessary.

## 6 Maintenance

### 6.1 Safety instructions



**Warning! Risk of injury: improper maintenance can cause serious injury or damage. For this reason, this work may only be carried out by authorised, trained personnel who are familiar with how to operate the machine and in strict observance of all safety instructions.**

- Before beginning any maintenance work on the machine, switch it off and secure it against accidentally being switched on again.
- Ensure that there is sufficient space to work around the machine.
- Keep the work area orderly and clean. Components and tools that are not put in their correct place or put away may be the cause of accidents!



**Warning! Danger – Do not attempt under any circumstances, to service, repair, dismantle, or disassemble any mechanical or electrical components without physically disconnecting all power sources.**

### 6.2 Cleaning

- Clean off any preservative on bright (machined ) parts with appropriate solvent (mineral spirits). Avoid getting cleaning fluid on any rubber parts as they tend to deteriorate rubber.
- Use soap and soft water on rubber and plastic parts.
- After cleaning, lubricate unpainted surfaces with a light application of medium consistency machine oil. This lubrication should be repeated at least once every six months.

**NOTE:** Instead of oil, a good quality paste wax can be applied to rip fence and table surface. Paste wax will enhance movement of workpieces. In addition to providing lubrication, paste wax will help prevent rusting.

- Keep your machine and your workshop clean. Do not allow sawdust to accumulate on saw or inside cabinet. Frequently vacuum or blow out any sawdust that may accumulate within cabinet.
- Be certain motor and internal mechanisms are clean and are frequently vacuumed or blown free of any dirt.

### 6.3 Lubrication

All bearings on the arbor are shielded ball bearings. These bearings are permanently lubricated at the factory.

- As needed, clean the grease off the rack and worm gears of height and tilt mechanism. Lubricate rack and gears with a medium viscosity machine oil.
- Be sure to lubricate trunnion ways and all bushings.
- Occasionally oil all other bearing points, including blade guard assembly, miter gauge and rip fence.

### 6.4 Service

- Replace belts and worn parts as needed. If power cords are worn, cut, or damaged in any way, have them

replaced immediately.

- Make sure teeth of anti-kickback pawls are always sharp.
- Sharpen dull teeth using a few light strokes of a smooth cut flat file.

## 6.5 Changing the Saw Blade

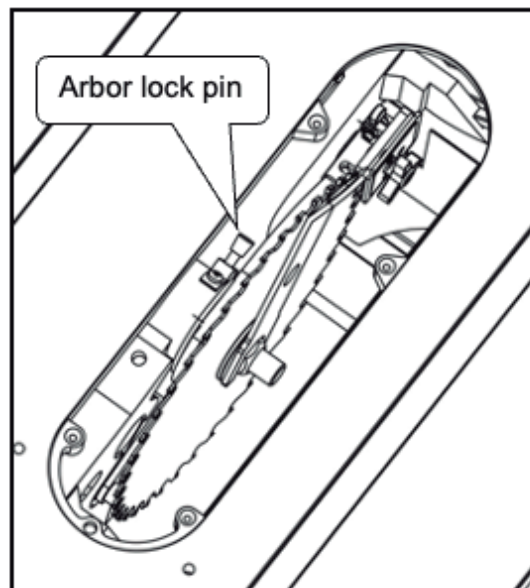
Refer to following figure.

**WARNING:** Turn the power switch "OFF" and unplug the power cord from its power source when changing the saw blade.

**WARNING:** When replacing blades, check the thickness stamped onto the riving knife. You must select a blade with a kerf width larger than the thickness of the riving knife. Thinner blades may cause the workpiece to bind during cutting.

**WARNING:** USE ONLY 10" diameter blades with 5/8" arbor holes, rated at or higher than 3800 R.P.M.

- Remove blade guard assembly and pawl assembly.
- Remove the table insert.
- Unlock the raise/lower handwheel lock and raise saw blade to maximum height.
- Depress locking pin and slowly rotate blade toward you until pin engages into arbor. Hold arbor in locked position.
- Place supplied open-end wrench on the arbor nut. Turn wrench counterclockwise to loosen nut. Remove arbor nut, blade flange and saw blade.
- Place new blade on arbor. Make sure saw blade teeth point down at the front side of saw table. Place flange and nut on arbor and securely snug blade in position.
- Replace table insert.
- Replace blade guard assembly and pawl assembly.

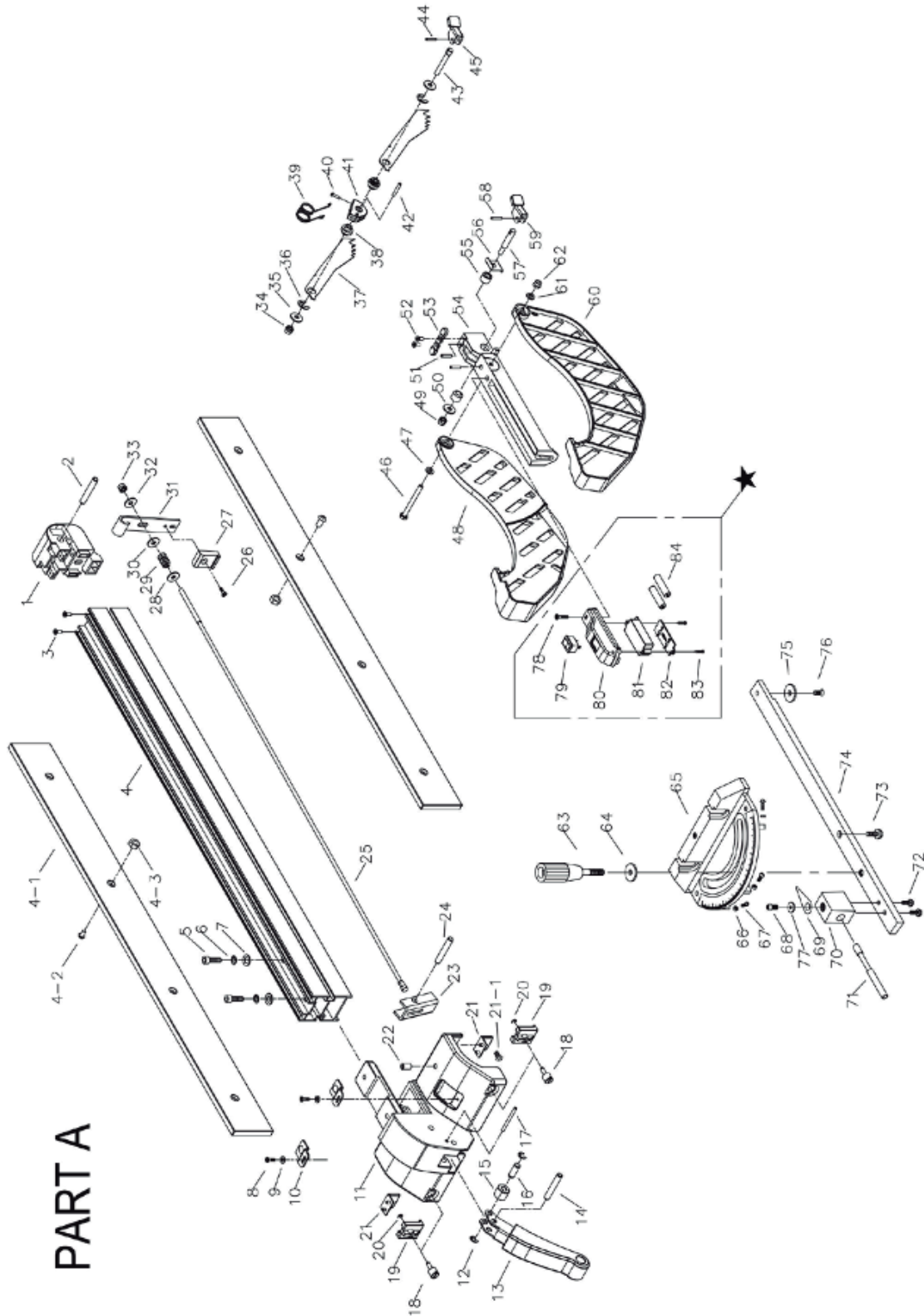


**7 Troubleshooting**

<b>SYMPTOM</b>	<b>POSSIBLE CAUSE(S)</b>	<b>CORRECTIVE ACTION</b>
Saw stops or will not start	<ol style="list-style-type: none"> <li>1. Overload tripped</li> <li>2. Saw unplugged from wall or motor</li> <li>3. Fuse blown or circuit breaker tripped</li> <li>4. Cord damaged</li> <li>5. Defective capacitor</li> </ol>	<ol style="list-style-type: none"> <li>1. Allow motor to cool and reset by pushing reset switch</li> <li>2. Check all plug connections</li> <li>3. Replace fuse or reset circuit breaker</li> <li>4. Replace cord</li> <li>5. Replace capacitor</li> </ol>
Excessive vibration	<ol style="list-style-type: none"> <li>1. Stand on uneven floor</li> <li>2. Damaged saw blade</li> <li>3. Bad drive V-belts</li> <li>4. Bent pulley</li> <li>5. Improper motor mounting</li> <li>6. Loose hardware</li> <li>7. Loose set screw in pulley</li> </ol>	<ol style="list-style-type: none"> <li>1. Reposition on flat, level surface</li> <li>2. Replace saw blade</li> <li>3. Replace drive V-belts</li> <li>4. Replace pulley</li> <li>5. Check and adjust motor</li> <li>6. Tighten hardware</li> <li>7. Tighten set screw</li> </ol>
Cannot make square cut when crosscutting	Miter gauge not adjusted properly	Adjust miter gauge
Blade stalls (however, motor turns)	<ol style="list-style-type: none"> <li>1. Drive belts not tight</li> <li>2. Drive belts worn</li> </ol>	<ol style="list-style-type: none"> <li>1. Adjust drive belt tension</li> <li>2. Replace drive belts</li> </ol>
Blade does not come up to speed	<ol style="list-style-type: none"> <li>1. Extension cord too light or too long</li> <li>2. Low shop voltage</li> <li>3. Motor not wired for correct voltage</li> </ol>	<ol style="list-style-type: none"> <li>1. Replace with adequate size cord</li> <li>2. Contact your local electric company</li> <li>3. Refer to motor junction box</li> </ol>
Cut binds, burns or stalls when ripping	<ol style="list-style-type: none"> <li>1. Dull blade with improper tooth set</li> <li>2. Blade is binding at one end of cut (heeling)</li> <li>3. Warped board</li> <li>4. Rip fence not parallel to blade</li> <li>5. Riving knife out of alignment</li> <li>6. Excessive feed rate</li> </ol>	<ol style="list-style-type: none"> <li>1. Sharpen or replace blade</li> <li>2. Adjust table and rip fence parallel to blade</li> <li>3. Make sure concave or hollow side is facing down; feed slowly</li> <li>4. Adjust rip fence</li> <li>5. Adjust riving knife to fall in line with blade</li> <li>6. Reduce feed rate</li> </ol>
Cut not true at 45 or 90° positions	Positive stops not properly adjusted	Adjust blade tilt
Tilt and elevating handwheel difficult to turn	<ol style="list-style-type: none"> <li>1. Sawdust on rack and worm gears</li> <li>2. Bushings and bearing surfaces dirty</li> </ol>	<ol style="list-style-type: none"> <li>1. Clean and relubricate</li> <li>2. Clean thoroughly and lubricate</li> </ol>
Rip fence binds on guide tube	<ol style="list-style-type: none"> <li>1. Guide rails or extension wing not properly installed</li> <li>2. Guide of rip fence not adjusted properly</li> </ol>	<ol style="list-style-type: none"> <li>1. Reassemble guide rails</li> <li>2. Adjust guides</li> </ol>

<b>SYMPTOM</b>	<b>POSSIBLE CAUSE(S)</b>	<b>CORRECTIVE ACTION</b>
Frequent opening of fuses or circuit breakers	<ol style="list-style-type: none"> <li>1. Motor overloaded</li> <li>2. Fuses or circuit breakers do not have sufficient capacity</li> </ol>	<ol style="list-style-type: none"> <li>1. Feed work slower into blade</li> <li>2. Install proper size fuses or circuit breakers</li> </ol>
Material kicked back from blade	<ol style="list-style-type: none"> <li>1. Rip fence out of alignment</li> <li>2. Riving knife not aligned with blade</li> <li>3. Feeding stock without rip fence</li> <li>4. Riving knife not in place</li> <li>5. Dull blade</li> <li>6. Letting go of material before it is past blade</li> <li>7. Anti-kickback fingers dull</li> </ol>	<ol style="list-style-type: none"> <li>1. Align rip fence with miter slot</li> <li>2. Align riving knife with blade</li> <li>3. Always use rip fence or miter gauge</li> <li>4. Install riving knife</li> <li>5. Replace blade</li> <li>6. Push material all the way past blade before releasing work</li> <li>7. Replace or sharpen anti-kickback fingers</li> </ol>
Saw makes unsatisfactory cut	<ol style="list-style-type: none"> <li>1. Dull blade</li> <li>2. Blade mounted backwards</li> <li>3. Gum or pitch on blade</li> <li>4. Incorrect blade for cut</li> <li>5. Gum or pitch on table</li> </ol>	<ol style="list-style-type: none"> <li>1. Sharpen or replace blade</li> <li>2. Turn blade around</li> <li>3. Remove blade and clean</li> <li>4. Change blade to correct type</li> <li>5. Clean table</li> </ol>

8 Exploded View



**Part A**

PARTS NUMBER	ITEM	PARTS NAME	QTY
SPMAK-SC1-A01	1	FENCE REAR SUPPORT	1
SPMAK-SC1-A02	2	10X50MM SPRING PIN	1
SPMAK-SC1-A03	3	3.5-1.3X13MM THREAD FORMING SCREW	2
SPMAK-SC1-A04	4	FENCE	1
SPMAK-SC1-A05	4.1	GUIDE PLATE	2
SPMAK-SC1-A06	4.2	6-1.0X12MM SOCKET PAN HEAD SCREW	8
SPMAK-SC1-A07	4.3	6-1.0MM HEX NUT	8
SPMAK-SC1-A08	5	8-1.25X20MM SOCKET HEAD BOLT	2
SPMAK-SC1-A09	6	8MM LOCK WASHER	2
SPMAK-SC1-A10	7	8MM FLAT WASHER	2
SPMAK-SC1-A11	8	4-0.7X10MM PAN HEAD SCREW	2
SPMAK-SC1-A12	9	4MM FLAT WASHER	2
SPMAK-SC1-A13	10	POINTER	2
SPMAK-SC1-A14	11	FENCE FRONT SUPPORT	1
SPMAK-SC1-A15	12	RETAINING RING	2
SPMAK-SC1-A16	13	LOCKING HANDLE	1
SPMAK-SC1-A17	14	8X50MM SPRING PIN	1
SPMAK-SC1-A18	15	BUSHING	1
SPMAK-SC1-A19	16	SHAFT	1
SPMAK-SC1-A20	17	5X50MM SPRING PIN	1
SPMAK-SC1-A21	18	ADJUSTING SCREW	2
SPMAK-SC1-A22	19	ADJUSTING BLOCK	2
SPMAK-SC1-A23	20	RETAINING RING	2
SPMAK-SC1-A24	21	SLIDING PAD	2
SPMAK-SC1-A25	21.1	4-0.7X6MM PAN HEAD SCREW	2
SPMAK-SC1-A26	22	NYLON SCREW	2
SPMAK-SC1-A27	23	FRONT LOCKING PLATE	1
SPMAK-SC1-A28	24	8X50MM SPRING PIN	1
SPMAK-SC1-A29	25	ROD	1
SPMAK-SC1-A30	26	5-0.8X8MM PAN HEAD SCREW	1
SPMAK-SC1-A31	27	REAR LOCKING PLATE	1
SPMAK-SC1-A32	28	6MM FLAT WASHER	1
SPMAK-SC1-A33	29	SPRING	1
SPMAK-SC1-A34	30	6MM FLAT WASHER	1
SPMAK-SC1-A35	31	CLAMP	1
SPMAK-SC1-A36	32	6MM FLAT WASHER	1
SPMAK-SC1-A37	33	LOCK NUT	1
SPMAK-SC1-A38	34	LOCK NUT	1
SPMAK-SC1-A39	35	FLAT WASHER	2
SPMAK-SC1-A40	36	RETAINING RING	2
SPMAK-SC1-A41	37	KICKBACK PAWL	2

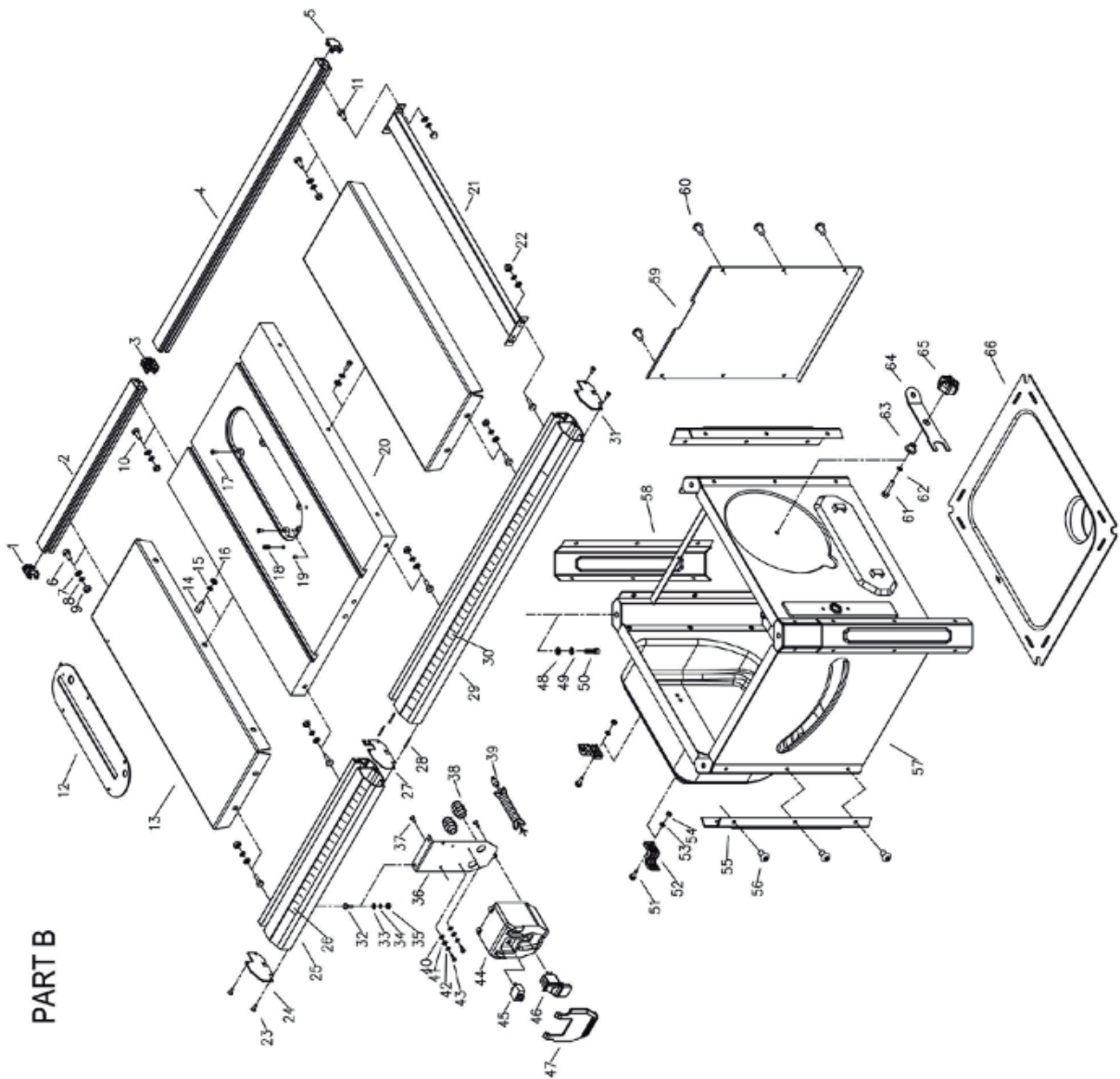


**Part A**

PARTS NUMBER	ITEM	PARTS NAME	QTY
SPMAK-SC1-A42	38	BUSHING	2
SPMAK-SC1-A43	39	SPRING	1
SPMAK-SC1-A44	40	3-0.5X10 PAN HEAD SCREW	1
SPMAK-SC1-A45	41	SUPPORT BRACKET	1
SPMAK-SC1-A46	42	4X30MM SPRING PIN	1
SPMAK-SC1-A47	43	PIVOT PIN	1
SPMAK-SC1-A48	44	4X12MM SPRING PIN	1
SPMAK-SC1-A49	45	LATCH	1
SPMAK-SC1-A50	46	6-1.0X60MM HEX HEAD BOLT	1
SPMAK-SC1-A51	47	6MM FLAT WASHER	1
SPMAK-SC1-A52	48	LEFT BLADE GUARD	1
SPMAK-SC1-A53	49	LOCK NUT	1
SPMAK-SC1-A54	50	6MM FLAT WASHER	1
SPMAK-SC1-A55	51	5-0.8X20MM SET SCREW	2
SPMAK-SC1-A56	52	4-0.7X10MM FLAT HEAD SCREW	2
SPMAK-SC1-A57	53	SUPPORT PLATE	1
SPMAK-SC1-A58	54	GUARD CASE	1
SPMAK-SC1-A59	55	BUSHING	2
SPMAK-SC1-A60	56	PLATE	1
SPMAK-SC1-A61	57	PIVOT PIN	1
SPMAK-SC1-A62	58	4X12MM SPRING PIN	1
SPMAK-SC1-A63	59	LATCH	1
SPMAK-SC1-A64	60	RIGHT BLADE GUARD	1
SPMAK-SC1-A65	61	6MM FLAT WASHER	1
SPMAK-SC1-A66	62	LOCK NUT	1
SPMAK-SC1-A67	63	KNOB	1
SPMAK-SC1-A68	64	8MM FLAT WASHER	1
SPMAK-SC1-A69	65	MITER GAUGE	1
SPMAK-SC1-A70	66	4-0.7MM HEX NUT	3
SPMAK-SC1-A71	67	4-0.7X16MM PAN HEAD SCREW	3
SPMAK-SC1-A72	68	4-0.7X10MM PAN HEAD SCREW	1
SPMAK-SC1-A73	69	POINTER	1
SPMAK-SC1-A74	70	BLOCK	1
SPMAK-SC1-A75	71	PIN	1
SPMAK-SC1-A76	72	4-0.7X12MM PAN HEAD SCREW	2
SPMAK-SC1-A77	73	SCREW	1
SPMAK-SC1-A78	74	BAR	1
SPMAK-SC1-A79	75	WASHER	1
SPMAK-SC1-A80	76	6-1.0X8MM FLAT HEAD SCREW	1

PARTS NUMBER	ITEM	PARTS NAME	QTY
SPMAK-SC1-A81	77	4MM FLAT WASHER	1
SPMAK-SC1-A82	78	4-0.7X20MM PAN HEAD SCREW	1
SPMAK-SC1-A83	79	LASER SWITCH	1
SPMAK-SC1-A84	80	LASER AND BOX ASSEMBLY	1
SPMAK-SC1-A85	81	BATTERY BOX ASSEMBLY	1
SPMAK-SC1-A86	82	BATTERY COVER	1
SPMAK-SC1-A87	83	THREAD FORMING SCREW	2
SPMAK-SC1-A88	84	AAA BATTERY	2

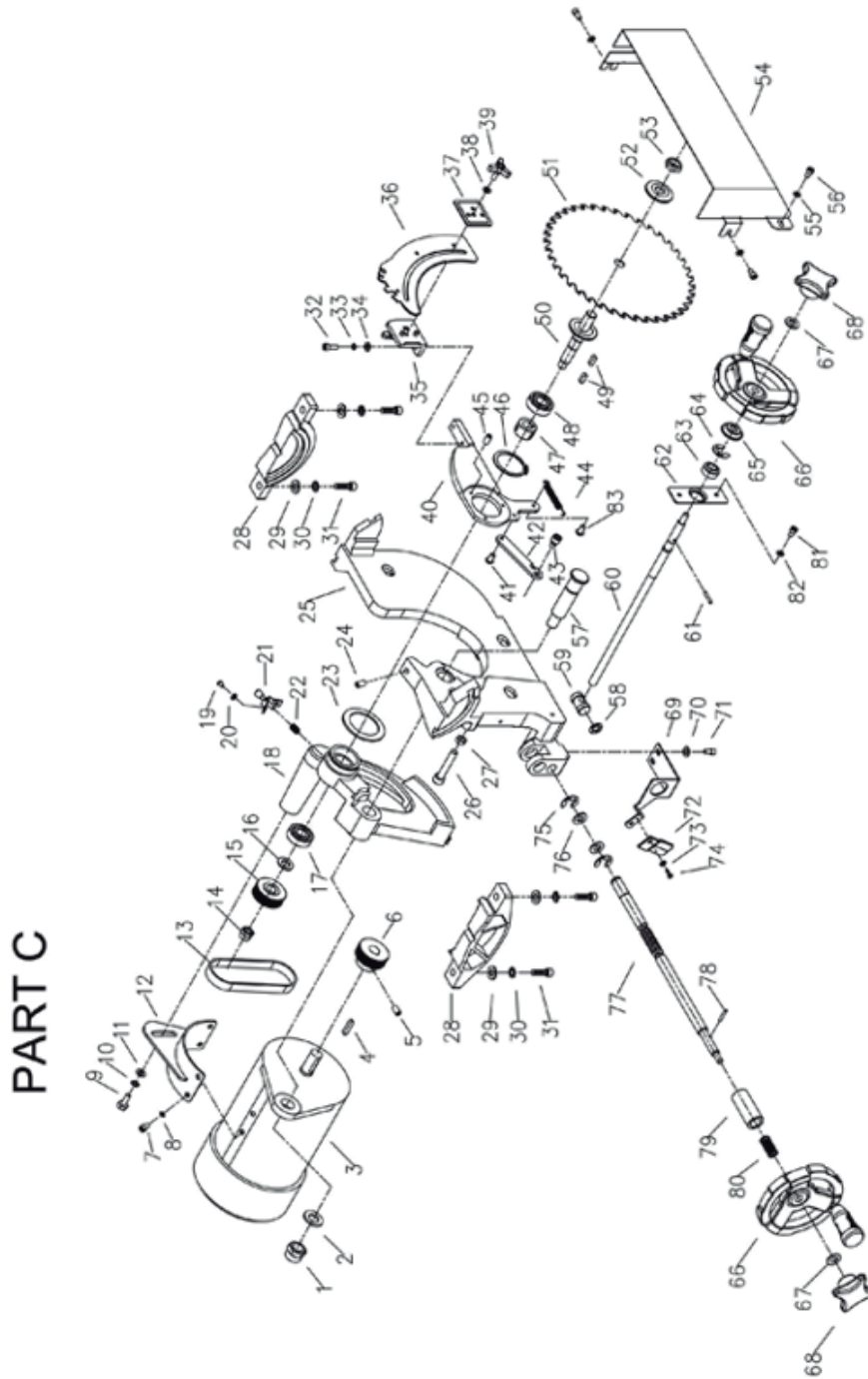
★ Optional accessories . Your machine may not have these parts.



**Part B**

PARTS NUMBER	ITEM	PARTS NAME	QTY
SPMAK-SC1-B01	1	LEFT REAR RAIL CAP	1
SPMAK-SC1-B02	2	LEFT REAR RAIL	1
SPMAK-SC1-B03	3	REAR RAIL CONNECTOR	1
SPMAK-SC1-B04	4	RIGHT REAR RAIL	1
SPMAK-SC1-B05	5	RIGHT REAR RAIL CAP	1
SPMAK-SC1-B06	6	8-1.25X30MM HEX HEAD BOLT	8
SPMAK-SC1-B07	7	8MM FLAT WASHER	20
SPMAK-SC1-B08	8	8MM LOCK WASHER	20
SPMAK-SC1-B09	9	8-1.25MM HEX NUT	16
SPMAK-SC1-B10	10	8-1.25X30MM HEX HEAD BOLT	8
SPMAK-SC1-B11	11	8-1.25X16MM SOCKET HEAD BOLT	4
SPMAK-SC1-B12	12	TABLE INSERT	1
SPMAK-SC1-B13	13	TABLE EXTENSION	2
SPMAK-SC1-B14	14	10-1.5X25MM SOCKET HEAD BOLT	6
SPMAK-SC1-B15	15	10MM LOCK WASHER	6
SPMAK-SC1-B16	16	10MM FLAT WASHER	6
SPMAK-SC1-B17	17	5-0.8X16MM FLAT HEAD SCREW	4
SPMAK-SC1-B18	18	8-1.25X16MM SET SCREW	2
SPMAK-SC1-B19	19	MAGNET	1
SPMAK-SC1-B20	19.1	4-0.7X8MM SOCKET HEAD BOLT	1
SPMAK-SC1-B21	20	TABLE	1
SPMAK-SC1-B22	21	BRACE	1
SPMAK-SC1-B23	22	LOCK NUT	4
SPMAK-SC1-B24	23	3.5-1.3X13MM THREAD FORMING SCREW	6
SPMAK-SC1-B25	24	LEFT FRONT RAIL CAP	1
SPMAK-SC1-B26	25	LEFT FRONT RAIL	1
SPMAK-SC1-B27	26	LEFT SCALE	1
SPMAK-SC1-B28	27	FRONT PARTITION	1
SPMAK-SC1-B29	28	CONNECTING PIN	3
SPMAK-SC1-B30	29	RIGHT FRONT RAIL	1
SPMAK-SC1-B31	30	RIGHT SCALE	1
SPMAK-SC1-B32	31	RIGHT FRONT RAIL CAP	1
SPMAK-SC1-B33	32	6-1.0X16MM HEX HEAD BOLT	2
SPMAK-SC1-B34	33	6MM FLAT WASHER	2
SPMAK-SC1-B35	34	6MM LOCK WASHER	2

PARTS NUMBER	ITEM	PARTS NAME	QTY
SPMAK-SC1-B36	35	6-1.0MM HEX NUT	2
SPMAK-SC1-B37	36	SWITCH MOUNTING PLATE	1
SPMAK-SC1-B38	37	3.5-1.3X9.5MM THREAD FORMING SCREW	3
SPMAK-SC1-B39	38	STRAIN RELIEF	3
SPMAK-SC1-B40	39	POWER CORD	1
SPMAK-SC1-B41	40	4MM SERRATED WASHER	2
SPMAK-SC1-B42	41	4MM FLAT WASHER	2
SPMAK-SC1-B43	42	4MM LOCK WASHER	2
SPMAK-SC1-B44	43	4-0.7X8MM PAN HEAD SCREW	2
SPMAK-SC1-B45	44	SWITCH BOX	1
SPMAK-SC1-B46	45	CIRCUIT BREAKER	1
SPMAK-SC1-B47	46	SWITCH	1
SPMAK-SC1-B48	47	PADDLE	1
SPMAK-SC1-B49	48	8MM FLAT WASHER	4
SPMAK-SC1-B50	49	8MM LOCK WASHER	4
SPMAK-SC1-B51	50	8-1.25X20MM SOCKET HEAD BOLT	4
SPMAK-SC1-B52	51	6-1.0X20MM SOCKET PAN HEAD SCREW	2
SPMAK-SC1-B53	52	LINE CORD HOOK	2
SPMAK-SC1-B54	53	6MM FLAT WASHER	2
SPMAK-SC1-B55	54	6-1.0MM HEX NUT	2
SPMAK-SC1-B56	55	FRONT CORNER COVER	2
SPMAK-SC1-B57	56	6-1.0X12MM SOCKET PAN HEAD SCREW	18
SPMAK-SC1-B58	57	BOX BASE	1
SPMAK-SC1-B59	58	REAR CORNER COVER	2
SPMAK-SC1-B60	59	REAR PANEL	1
SPMAK-SC1-B61	60	6-1.0X12MM SOCKET PAN HEAD SCREW	6
SPMAK-SC1-B62	61	8-1.25X35MM HEX HEAD BOLT	1
SPMAK-SC1-B63	62	8MM LOCK WASHER	1
SPMAK-SC1-B64	63	SUPPORT BLOCK	1
SPMAK-SC1-B65	64	WRENCH	1
SPMAK-SC1-B66	65	KNOB	1
SPMAK-SC1-B67	66	DUST CHUTE	1



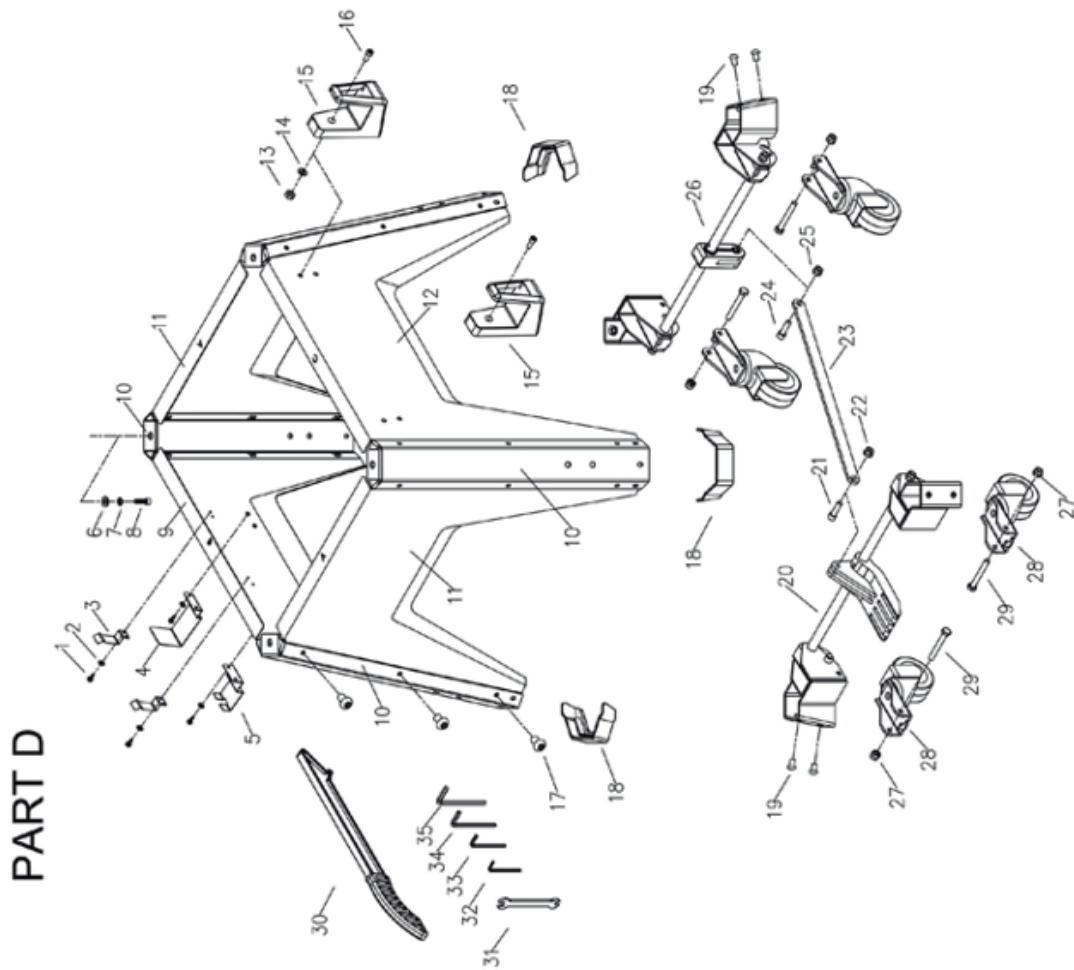
**Part C**

PARTS NUMBER	ITEM	PARTS NAME	QTY
SPMAK-SC1-C01	1	LOCK NUT	1
SPMAK-SC1-C02	2	16MM FLAT WASHER	1
SPMAK-SC1-C03	3	MOTOR	1
SPMAK-SC1-C04	4	5X5X30MM KEY	1
SPMAK-SC1-C05	5	6-1.0X8MM SET SCREW	1
SPMAK-SC1-C06	6	MOTOR PULLEY	1
SPMAK-SC1-C07	7	6-1.0X10MM SOCKET HEAD BOLT	4
SPMAK-SC1-C08	8	6MM FLAT WASHER	4
SPMAK-SC1-C09	9	8-1.25X16MM HEX HEAD BOLT	1
SPMAK-SC1-C10	10	8MM LOCK WASHER	1
SPMAK-SC1-C11	11	8MM FLAT WASHER	1
SPMAK-SC1-C12	12	MOTOR SUPPORT BRACKET	1
SPMAK-SC1-C13	13	BELT	1
SPMAK-SC1-C14	14	LOCK NUT	1
SPMAK-SC1-C15	15	SPINDLE PULLEY	1
SPMAK-SC1-C16	16	SPACER	1
SPMAK-SC1-C17	17	6202ZZ BALL BEARING	1
SPMAK-SC1-C18	18	BLADE AND MOTOR SUPPORT CASE	1
SPMAK-SC1-C19	19	5-0.8X12MM PAN HEAD SCREW	2
SPMAK-SC1-C20	20	5MM FLAT WASHER	2
SPMAK-SC1-C21	21	BLADE LOCKING ASSEMBLY	1
SPMAK-SC1-C22	22	SPRING	1
SPMAK-SC1-C23	23	SPACER	1
SPMAK-SC1-C24	24	10-1.5X20MM SET SCREW	1
SPMAK-SC1-C25	25	MAIN TRUNNION	1
SPMAK-SC1-C26	26	10-1.5X40MM SOCKET HEAD BOLT	1
SPMAK-SC1-C27	27	10-1.5MM HEX NUT	1
SPMAK-SC1-C28	28	TRUNNION	2
SPMAK-SC1-C29	29	10MM FLAT WASHER	4
SPMAK-SC1-C30	30	10MM LOCK WASHER	4
SPMAK-SC1-C31	31	10-1.5X35 SOCKET HEAD BOLT	4
SPMAK-SC1-C32	32	6-1.0X20MM SOCKET PAN HEAD SCREW	2
SPMAK-SC1-C33	33	6MM LOCK WASHER	2
SPMAK-SC1-C34	34	6MM FLAT WASHER	2
SPMAK-SC1-C35	35	RIVING KNIFE SUPPORT ASSEMBLY	1
SPMAK-SC1-C36	36	RIVING KNIFE	1
SPMAK-SC1-C37	37	CLAMP	1
SPMAK-SC1-C38	38	6MM FLAT WASHER	1
SPMAK-SC1-C39	39	LOCK KNOB	1
SPMAK-SC1-C40	40	MOUNTING PLATE	1
SPMAK-SC1-C41	41	RIVET	1

**Part C**

PARTS NUMBER	ITEM	PARTS NAME	QTY
SPMAK-SC1-C42	42	CONNECTING PLATE	1
SPMAK-SC1-C43	43	SCREW	1
SPMAK-SC1-C44	44	SPRING	1
SPMAK-SC1-C45	45	5-0.8X6MM SET SCREW	3
SPMAK-SC1-C46	46	RETAINING RING	1
SPMAK-SC1-C47	47	BUSHING	1
SPMAK-SC1-C48	48	6203ZZ BALL BEARING	1
SPMAK-SC1-C49	49	KEY	2
SPMAK-SC1-C50	50	ARBOR	1
SPMAK-SC1-C51	51	BLADE	1
SPMAK-SC1-C52	52	FLANGE	1
SPMAK-SC1-C53	53	ARBOR NUT	1
SPMAK-SC1-C54	54	LOWER BLADE GUARD	1
SPMAK-SC1-C55	55	6MM FLAT WASHER	3
SPMAK-SC1-C56	56	6-1.0X10MM SOCKET HEAD BOLT	3
SPMAK-SC1-C57	57	SHAFT	1
SPMAK-SC1-C58	58	LOCK WASHER	1
SPMAK-SC1-C59	59	BEVEL NUT	1
SPMAK-SC1-C60	60	BEVEL SCREW	1
SPMAK-SC1-C61	61	3X20MM SPRING PIN	1
SPMAK-SC1-C62	62	BEARING FIXING PLATE	1
SPMAK-SC1-C63	63	BEARING	1
SPMAK-SC1-C64	64	RETAINING RING	1
SPMAK-SC1-C65	65	BEVEL LOCKING PLATE	1
SPMAK-SC1-C66	66	HANDWHEEL	2
SPMAK-SC1-C67	67	8MM FLAT WASHER	2
SPMAK-SC1-C68	68	LOCK NUT	2
SPMAK-SC1-C69	69	POINTER SUPPORT	1
SPMAK-SC1-C70	70	6MM FLAT WASHER	2
SPMAK-SC1-C71	71	6-1.0X10MM SOCKET HEAD BOLT	2
SPMAK-SC1-C72	72	ANGLE POINTER	1
SPMAK-SC1-C73	73	4MM FLAT WASHER	1
SPMAK-SC1-C74	74	4-0.7X8 PAN HEAD SCREW	1
SPMAK-SC1-C75	75	RETAINING RING	2
SPMAK-SC1-C76	76	16MM FLAT WASHER	2
SPMAK-SC1-C77	77	ELEVATION SHAFT	1
SPMAK-SC1-C78	78	3X20MM SPRING PIN	1
SPMAK-SC1-C79	79	BUSHING	1
SPMAK-SC1-C80	80	SPRING	1

PARTS NUMBER	ITEM	PARTS NAME	QTY
SPMAK-SC1-C81	81	5-0.8X12MM PAN HEAD SCREW	2
SPMAK-SC1-C82	82	5MM FLAT WASHER	2
SPMAK-SC1-C83	83	5-0.8X8MM SOCKET HEAD BOLT	1



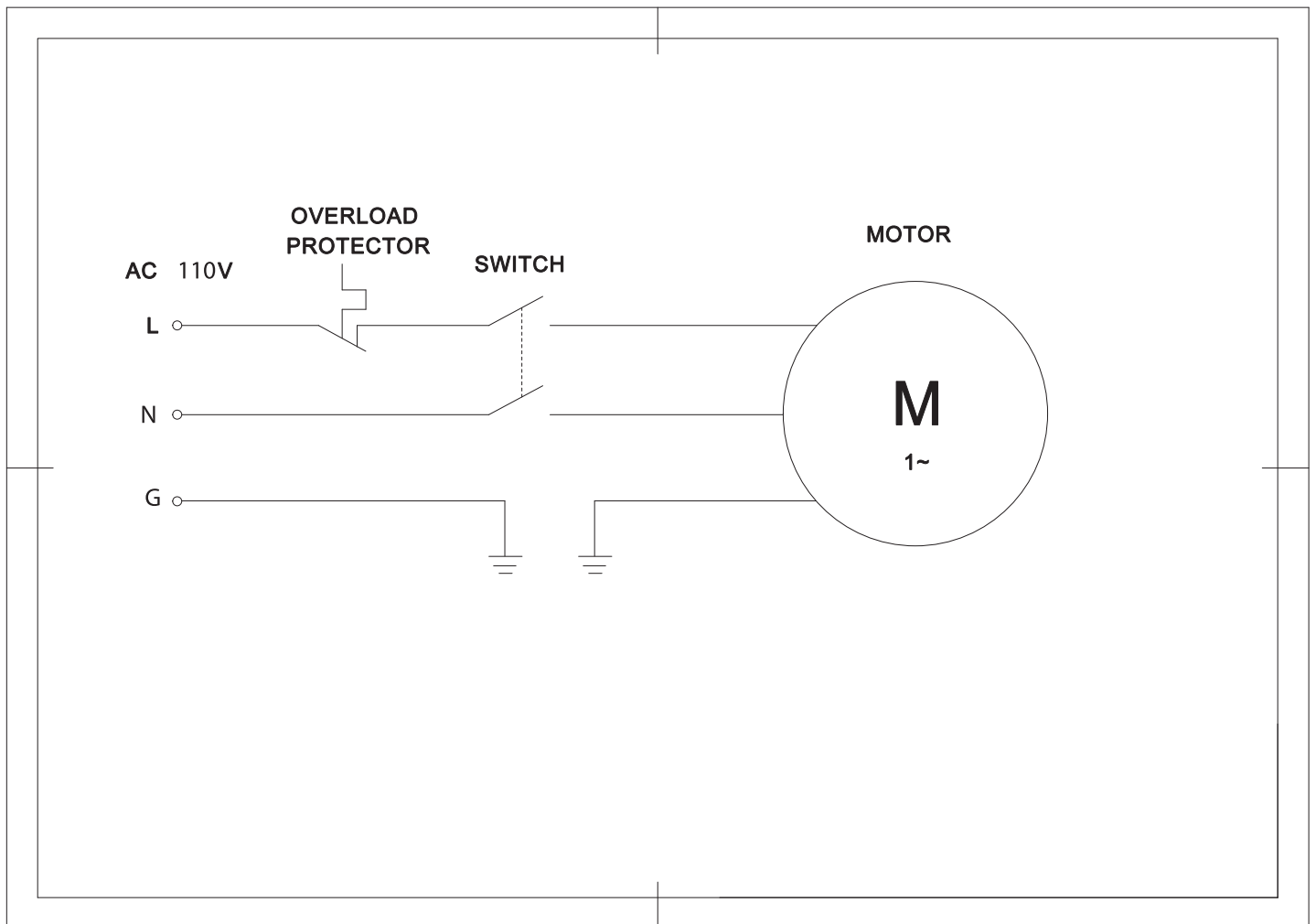
**Part D**

PARTS NUMBER	ITEM	PARTS NAME	QTY
SPMAK-SC1-D01	1	4-0.7X8MM PAN HEAD SCREW	8
SPMAK-SC1-D02	2	4MM FLAT WASHER	8
SPMAK-SC1-D03	3	PUSH STICK BRACKET	2
SPMAK-SC1-D04	4	REAR BLADE GUARD BRACKET	1
SPMAK-SC1-D05	5	FRONT BLADE GUARD BRACKET	1
SPMAK-SC1-D06	6	10MM FLAT WASHER	4
SPMAK-SC1-D07	7	10MM LOCK WASHER	4
SPMAK-SC1-D08	8	10-1.5X25MM SOCKET HEAD BOLT	4
SPMAK-SC1-D09	9	LEFT BASE PANEL	1
SPMAK-SC1-D10	10	LEG	4
SPMAK-SC1-D11	11	FRONT/REAR BASE PANEL	2
SPMAK-SC1-D12	12	RIGHT BASE PANEL	1
SPMAK-SC1-D13	13	6-1.0MM HEX NUT	2
SPMAK-SC1-D14	14	6MM FLAT WASHER	2
SPMAK-SC1-D15	15	RIP FENCE BRACKET	2
SPMAK-SC1-D16	16	6-1.0X20MM SOCKET PAN HEAD SCREW	2
SPMAK-SC1-D17	17	6-1.0X12MM SOCKET PAN HEAD SCREW	24
SPMAK-SC1-D18	18	FOOT	4
SPMAK-SC1-D19	19	8-1.25X16MM SOCKET PAN HEAD SCREW	8
SPMAK-SC1-D20	20	FRONT CASTER SUPPORT ASSEMBLY	1
SPMAK-SC1-D21	21	SCREW	1
SPMAK-SC1-D22	22	8-1.25MM LOCK NUT	1
SPMAK-SC1-D23	23	CONNECTING PLATE	1
SPMAK-SC1-D24	24	SCREW	1
SPMAK-SC1-D25	25	8-1.25MM LOCK NUT	1
SPMAK-SC1-D26	26	REAR CASTER SUPPORT ASSEMBLY	1
SPMAK-SC1-D27	27	8-1.25MM LOCK NUT	4
SPMAK-SC1-D28	28	CASTER	4
SPMAK-SC1-D29	29	8-1.25X60MM SOCKET HEAD BOLT	4
SPMAK-SC1-D30	30	PUSH STICK	1
SPMAK-SC1-D31	31	OPEN END WRENCH	1
SPMAK-SC1-D32	32	4MM HEX WRENCH	1
SPMAK-SC1-D33	33	5MM HEX WRENCH	1
SPMAK-SC1-D34	34	6MM HEX WRENCH	1
SPMAK-SC1-D35	35	8MM HEX WRENCH	1



9 Wiring Diagram

**WIRING DIAGRAM**  
**3-Wire 110V 1Phase**



## 10 Terms of Warranty

MAKSIWA assures the owner that their equipment, identified by the Serial number issued on the Warranty Terms.

The equipment under warranty, for two (2) years, is as followed:

1. The warranty period begins on the date of the Warranty Terms below.
2. Within the warranty period, the manual labor and the components replaced by manufacturing defect will be provided for free if duly proved by Maksiwa Service.
3. Third-party manufacturing equipment that makes up the MAKSIWA equipment (such as motors, electrical equipment, belts etc.) are subject to the terms and conditions of warranty of their respective manufacturers.
4. In case an exchange of machine is needed, please return the defective part or machine to MAKSIWA.
5. All workplace adaptations for the equipment are under the responsibility of the machine owner.
6. If you notice any defect or malfunction when receiving the equipment, get in touch immediately with the manufacturer or Dealer. Do not turn it on.
7. Not included in this warranty is any technical visits aimed at cleaning or adjustments caused by wear, resulting from normal use of the equipment.
8. The warranty does not cover problems caused by mistreatment, carelessness, misuse or inappropriate use of the functions designed for this equipment in this manual, as well as poorly executed operations by untrained operators to operate it.
9. MAKSIWA is not responsible for lost productivity, direct or indirect damages caused to the owner of the equipment or to third parties, or any other expense, including lost profits.
10. Even under warranty, you may lose its validity as follows:
  - a) Application of non-original components;
  - b) Alteration of its original features;
  - c) Lack of proper maintenance;
  - d) Improper use of the equipment;
  - e) Change in equipment or electronic connections;
  - f) Damage caused by mechanical shock or exposure to unsuitable conditions (humidity, salt spray, corrosive agents, etc.);
  - g) Damage caused by bad weather (floods, flooding, lightning, power outages etc.);
  - h) Maksiwa is not responsible for damages to electrical components cause by power variation in your area.

For your safety, trust the repairs, maintenance and adjustments (including inspection and replacement) for technical assistance recommended by MAKSIWA, always use genuine spare parts and accessories, reassembling to its original machine the same way.

MODEL:

SERIAL NUMBER:

DATE:

LOT NUMBER:

---

**Imported by:**

**Maksiwa International Inc.**

**4100 N Powerline Rd, Suite D3**

**Pompano Beach, Florida**

**ZIP Code: 33073**

**Telephone: +1 (754) 205-6717 | Call us free: +1 (844) 319-6594**

**E-mail: [tech@maksiwa.com](mailto:tech@maksiwa.com)**

**[www.maksiwa.com](http://www.maksiwa.com)**