



# MAKSIWA<sup>®</sup>

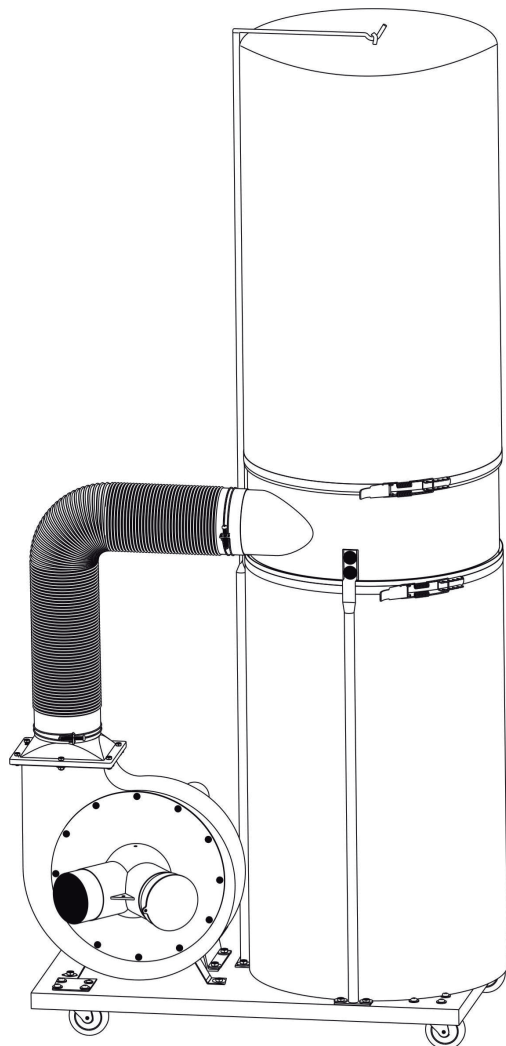
## CP/2.C

**Dust Collector 2HP - 2 Entries - 1 Phase**

---

INSTRUCTION MANUAL

---



ATTENTION: READ THIS MANUAL BEFORE USING THE MACHINE.

### **Greetings,**

Congratulations, you just purchased the CP/2.C Maksiwa Dust Collector, which was developed with the Maksiwa's highest standards of technology and quality. Your CP/2.C Maksiwa Dust Collector allows you to have the highest productivity in woodworking. It should be noted that to use this machine with maximum efficiency, you should read and understand the instructions in this manual.

Visit our website to know about our launches and other product lines and Technical Assistance:

[www.maksiwa.com/usa](http://www.maksiwa.com/usa)

[tech@maksiwa.com](mailto:tech@maksiwa.com)



**Attention!: The machine must be inspected immediately upon arrival. If the machine has been damaged during transport, or if any parts are missing, a written record of the problems must be submitted to the forwarding agent and a damage report compiled. Also be sure to notify your supplier immediately.**



**For the safety of all personnel, it is necessary to study this manual thoroughly before assembly and operation. This manual must be kept in good condition and should be considered as part of the machine. Furthermore, the manual must be kept to hand and within the vicinity of the machine so that it is accessible to operators when using, maintaining or repairing the machine.**



Maksiwa International Inc.  
4100 N Powerline Rd, Suite D3 Pompano Beach, FL

Call us free: 844-319-6594

tech@maksiwa.com  
www.maksiwa.com/usa

## Contents

1. General.....	05
1.1 Symbol legend.....	05
1.2 Information on the operating instructions .....	05
1.3 Liability and warranty.....	05
1.4 Copyright.....	06
1.5 Spare parts.....	06
1.5 Disposal .....	06
2. Safety Regulations.....	07
2.1 Workspace.....	07
2.2 Personal Safety.....	07
2.3 Machine Safety.....	07
3. Description.....	09
3.1 Specifications .....	09
4. Unpacking and Checking Contents.....	10
4.1 Assembly .....	11
5. Maintenance.....	16
5.1 Safety Instructions .....	16
5.2 Maintenance work .....	16
6. Explode View .....	17
8. Wiring Diagram .....	19
9. Warranty Terms .....	20

## 1 General

### 1.1 Symbol legend

Important technical safety instructions in this manual are marked with symbols. These instructions for work safety must be followed.

In all these particular cases, special attention must be paid in order to avoid accidents, injury to persons or material damage.



**Warning! Risk of injury or death!**

**This symbol marks instructions that must be followed in order to avoid harm to one's health, injuries, permanent impairment or death!**



**Warning! Danger! Electric current!**

**This symbol warns of potentially dangerous situations relating to electrical current. Not observing the safety instructions increases the risk of serious injury or death. All electrical repairs must be carried out by a qualified electrician!**



**Attention! Risk of material damage!**

**This symbol marks instructions which, if not observed, may lead to material damage, functional failures and/or machine breakdown!**

### 1.2 Information on the operating instructions

This manual describes how to operate the machine properly and safely. Be sure to follow the safety tips and instructions stated here as well as any local accident prevention regulations and general safety regulations. Before beginning any work on the machine, ensure that the manual, in particular the chapter entitled "Safety" and the respective safety guidelines, has been read in its entirety and fully understood. This manual is an integral part of the machine and must therefore be kept in the direct vicinity of the machine and be accessible at all times. If the machine is sold, rented, lent or otherwise transferred to another party, the manual must accompany the machine.

### 1.3 Liability and warranty

The contents and instructions in this manual have been compiled in consideration of current regulations and state-of-the-art technology as well as based on our know-how and experience acquired over many years. This

manual must be read carefully before commencing any work on or with this machine. The manufacturer shall not be liable for damage and/or faults resulting from the disregard of instructions in the manual. The text and images do not necessarily represent the delivery contents. The images and graphics are not depicted on a 1:1 scale. The actual delivery contents are dependent on custom-build specifications, add-on options or recent technical modifications and may therefore deviate from the descriptions, instructions and images contained in the manual. Should any questions arise, please contact the manufacturer. We reserve the right to make technical modifications to the product in order to further improve user-friendliness and develop its functionality.


## 1.4 Copyright

This manual should be handled confidentially. It is designated solely for those persons who work on or with the machine. All descriptions, texts, drawings, photos and other depictions are protected by copyright and other commercial laws. Illegal use of the materials is punishable by law.

This manual, in its entirety or parts thereof, may not be transferred to third parties or copied in any way or form, and its contents may not be used or otherwise communicated without the express written consent of the manufacturer.


Infringement of these rights may lead to a demand for compensation or other applicable claims. We reserve all rights in exercising commercial protection laws.

## 1.5 Spare parts

 Attention: Non genuine, counterfeit or faulty spare parts may result in damage, cause malfunction or complete breakdown of the machine.

If unauthorized spare parts are fitted into the machine, all warranty, service, compensation and liability claims against the manufacturer and their contractors, dealers and representatives shall be rejected. Use only genuine spare parts supplied by the manufacturer. Unless, specified by manufacturer.

## 1.6 Disposal

 **Attention!: Used electrical materials, electronic components, lubricants and other auxiliary substances must be treated as hazardous waste and may only be disposed of by specialised, licensed firms.**

If the machine is to be disposed of, separate the components into the various materials groups in order to allow them to be reused or selectively disposed of. The whole structure is made of steel and can therefore be dismantled without problem. This material is also easy to dispose of and does not pollute the environment or jeopardize public health. International environmental regulations and local disposal laws must always be complied with.

## 2 Safety Regulations

Read all instructions in this manual. Failure to follow all instructions listed below may result in personal injury and equipment damage. **WARNING:** When using electrical equipment, always follow the safety precautions to reduce risk of fire, electric shock and personal injury. The manufacturer declares that they are not liable for damages to person(s) or object(s) which may be caused by failure to comply with the safety regulations.

### 2.1 Workspace

- Keep a clean work surface. Cluttered areas and work surfaces are invite accidents.
- Do not use the Edgebander in hazardous environments. Do not use machine in damp or wet locations or exposed to rain. Keep well-lit work area.
- Keep children away. Visitors should be kept safe distance from work area.
- Make the workplace safe making use of padlocks, master keys or removing the ignition key.
- Do not force the tool. It will perform the job better and safer for the intended use.

### 2.2 Personal Safety

- Following the safety advice and instructions given in this manual can prevent bodily injury and material damage while working on and with the machine. Failure to observe these instructions can lead to bodily injury and damage to or destruction of the machine. Disregard of the safety advice and instructions given in this manual as well as the accident prevention regulations and general safety regulations applicable to the operative range of the machine shall release the manufacturer and their authorised representatives from any liability and from all compensation claims.



ALWAYS USE PROPER PROTECTION WHEN OPERATING THIS EQUIPMENT.

- Persons with long hair who are not wearing a hairnet are not permitted to work on or with the machine. Keep hands away from moving or sharp parts.
- It is prohibited to wear gloves while working on or with the machine. All jewellery (rings, bracelets, necklaces, etc.) must be removed before starting work on or with the machine.

### 2.3 Machine Safety

The machine has undergone a hazard analysis. The design and construction of the machine are based on the results of this analysis and correspond to state-of-the-art technology.

The machine is considered operationally safe when used properly.

Nevertheless, there are some residual risks that must be considered.

The machine runs with high electrical voltage.



**WARNING! DANGER – ELECTRIC CURRENT: ELECTRICAL ENERGY CAN CAUSE SERIOUS BODILY INJURY. DAMAGED INSULATION MATERIALS OR DEFECTIVE INDIVIDUAL COMPONENTS CAN CAUSE A LIFE-THREATENING ELECTRICAL SHOCK.**

- Before carrying out any maintenance, cleaning and repair work, switch off the machine and secure it against being accidentally switched on again.
- When carrying out any work on the electrical equipment, ensure that the voltage supply is completely isolated.
- Do not remove any safety devices or alter them to put them out of commission.



### 3 Description

The CP/2.C Maksiwa Dust Collector has 2 entries and is ideal for collecting light powder from small and medium machines such as saws and sanders.

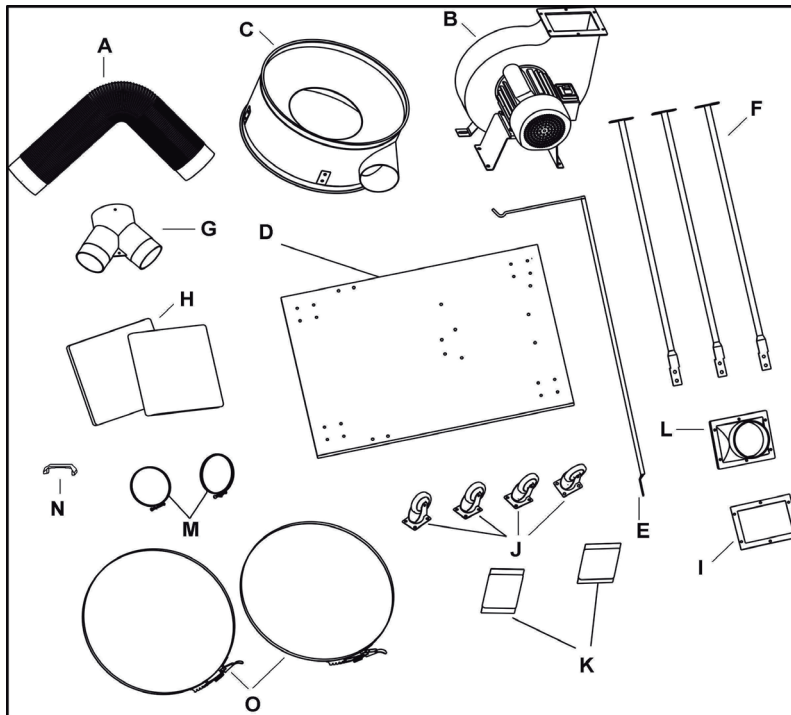
#### 3.1 Specifications

- Motor power (Watt): 1500 W
- Inlet diameter: Main: 5" / 125 mm - Splitter: 4" / 100 mm
- Fan diameter: 12" / 300 mm
- Bag capacity (cubic meter): 5ft<sup>3</sup> / 0.15 m<sup>3</sup>
- Collection capacity (CFM): 1490 CFM
- Overall size (L xW x H): 33" x22" x 73" / 850 x 560 x 1860mm
- Weight: 95 lbs / 43 kg

NOTE: Pictures and illustrations in this manual are ILLUSTRATIVE only and may not be the actual color, contain the same labels or accessories, and are intended only to illustrate the technical part.

**4 Unpacking and Checking Contents**

Unpack carton, check machine, to see parts listed below:

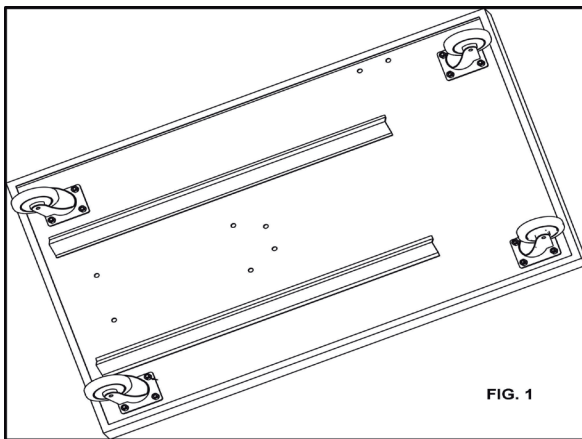


Item	Parts Name
A	HOSE
B	COLLECTOR BODY & FAN/MOTOR ASSEMBLY
C	COLLECTOR
D	BASE PLATE
E	UPPER BAG SUPPORT
F	SUPPORT
G	INLET
H	TWO BAGS
I	PACKING
J	FOUR CASTERS
K	NUTS, SCREWS, WASHERS, SPRING WASHERS, AND WRENCH
L	OUTLET
M	TWO HOSE CLAMP
N	HANDLE (ALTERNATIVE)
O	BAG CLAMP

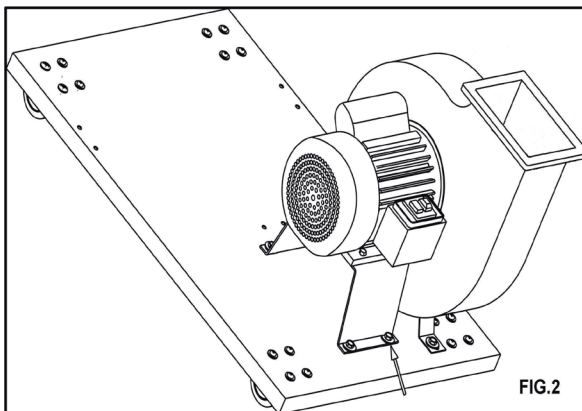
## 4.1 Assembly

- For packaging reasons, the machine is not completely assembled.
- If you notice any damage caused by shipping, while opening the package, notify your supplier immediately.  
Do not operate the machine. .

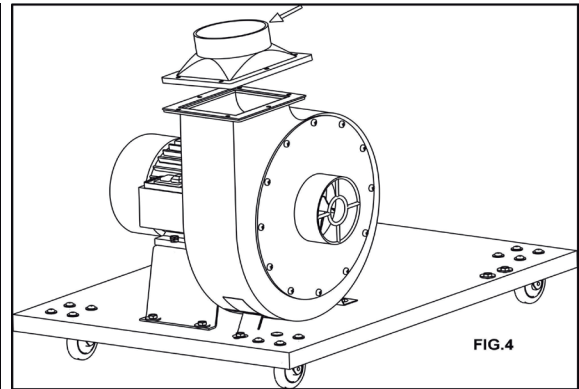
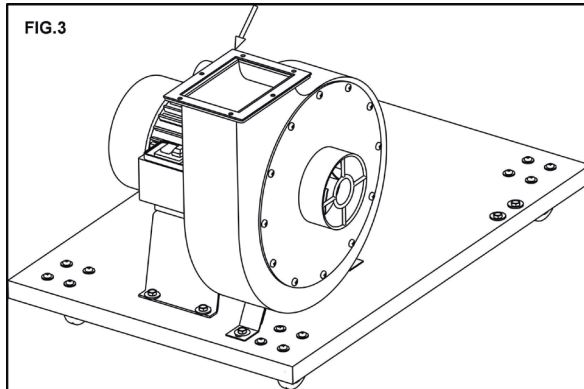
1. TO ASSEMBLY, FIRST PLACE THE BASE PLATE UPSIDE DOWN AND ATTACH THE FOUR CASTERS TO THE HOLES PROVIDED AND TOGHTEN WITH THE WRENCH. FIG.1



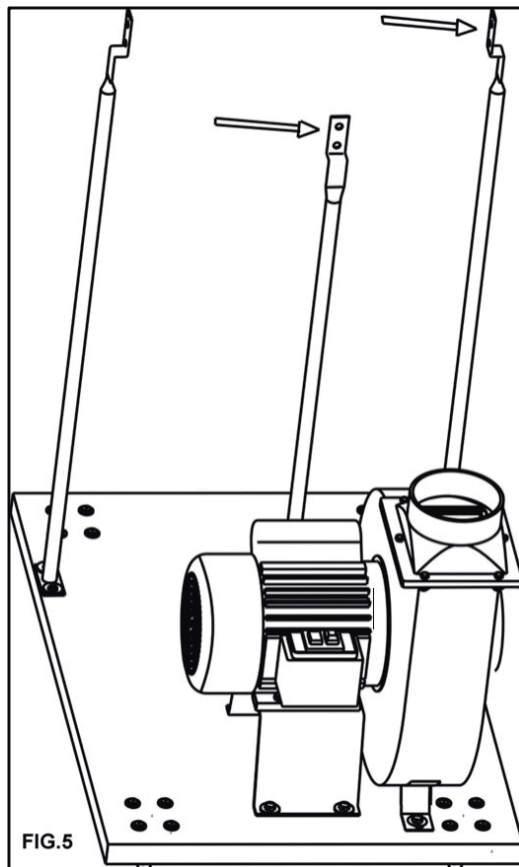
2. TO ASSEMBLY, FIRST PLACE THE BASE PLATE UPSIDE DOWN AND ATTACH THE FOUR CASTERS TO THE HOLES PROVIDED AND TOGHTEN WITH THE WRENCH. FIG.1



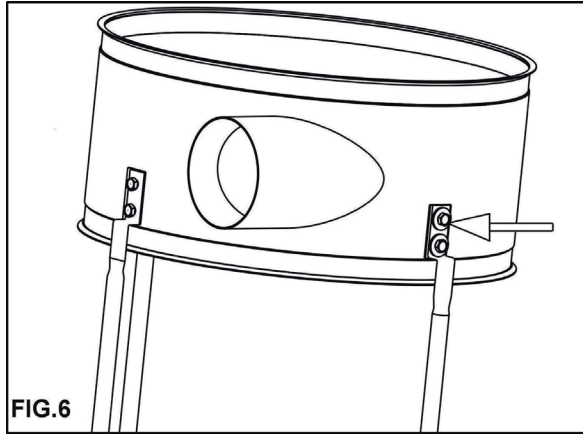
3. NEXT, MOUNT THE OUTLET , PACKING(I) TO THE COLLECTOR BODY AS SHOWN IN FIG.3 AND FIG. 4



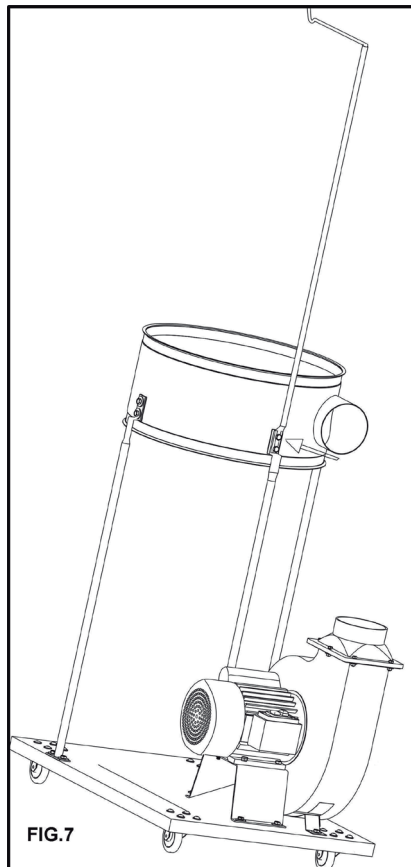
4. THE COLLECTOR SUPPORT CAN BE MOUNTED TO THE BASE PLATE AS SHOWN FIG.5.



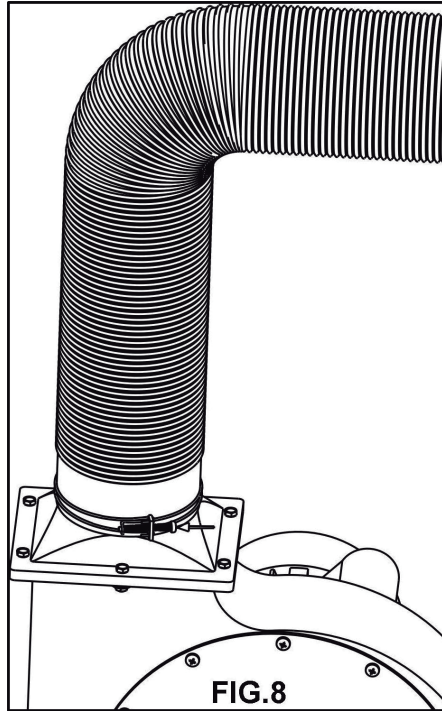
5. NOW ATTACH THE COLLECTOR TO THE TWO COLLECTOR SUPPORTS MAKING SURE THE SIDE HOLE IN FACING THE COLLECTOR BODY AS SHOWN IN FIG.6.



6. AT THIS TIME THE UPPER BAG SUPPORT BE INSTALLED ONTO THE COLLECTOR SUPPORT AS SHOWN IN FIG.7

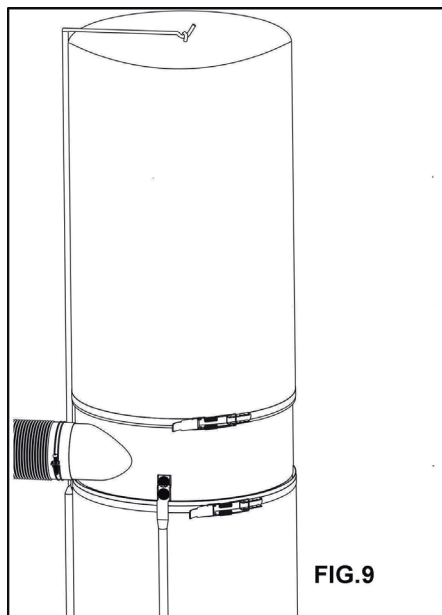


7. NOW ATTACH ONE END OF THE HOSE TO THE COLLECTOR BODY AND THE OTHER END TO THE SIDE HOLE OF THE COLLECTOR AND SECURE WITH THE TWO HOSE CLAMPS AS SHOWN IN FIG.8.

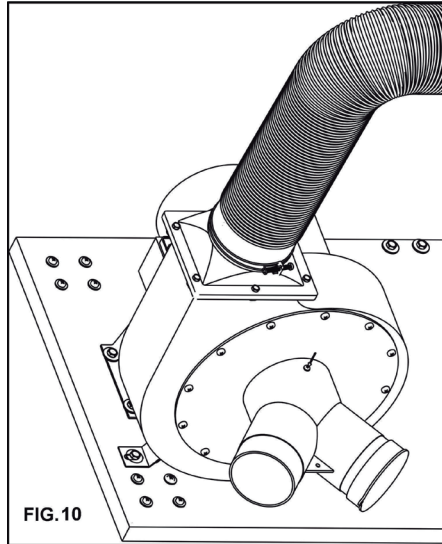


8. PLACE THE COLLECTOR AND FILTER BAGS ONTO THE COLLECTOR AND SECURE WITH THE BELTS AS SHOWN IN FIG.9.

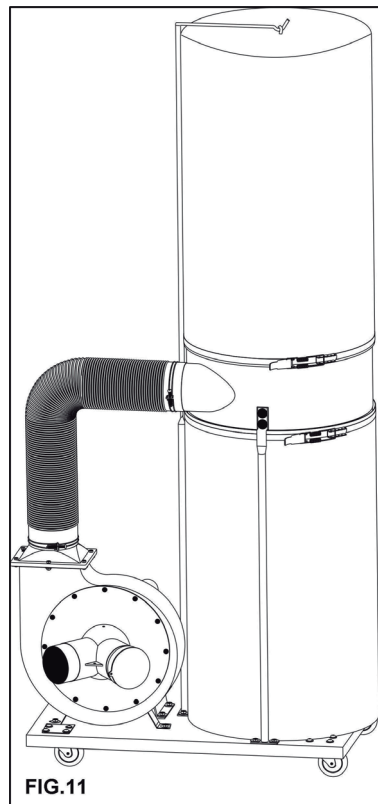
AFTER THE BAGS ARE SECURED, THE UPPER BAG SHOULD BE HANG FROM THE UPPER BAG SUPPORT AS IN FIG.9.



9. THE INLET CAN NOW BE PLACED ON THE INTAKE HOLE OF THE FAN/MOTOR ASSEMBLY AS SHOWN IN FIG.10.



10. THE DUST COLLECTOR IS NOW READY TO BE PLACED INTO SERVICE. BEFORE CONNECTING TO A POWER SOURCE, BE SURE THE POWER SOURCE IS PROPERLY GROUNDED AND IS OF PROPER VOLTAGE AND AMPERAGE.



## 5 Maintenance

### 5.1 Safety instructions



**Warning! Risk of injury: improper maintenance can cause serious injury or damage. For this reason, this work may only be carried out by authorised, trained personnel who are familiar with how to operate the machine and in strict observance of all safety instructions.**

- Before beginning any maintenance work on the machine, switch it off and secure it against accidentally being switched on again.
- Ensure that there is sufficient space to work around the machine.
- Keep the work area orderly and clean. Components and tools that are not put in their correct place or put away may be the cause of accidents!
- Following the maintenance work, re-install the guards and check that they are functioning properly



**Warning! Danger – electric current: work on electrical fittings may only be carried out by qualified personnel and in strict observance of the safety instructions.**

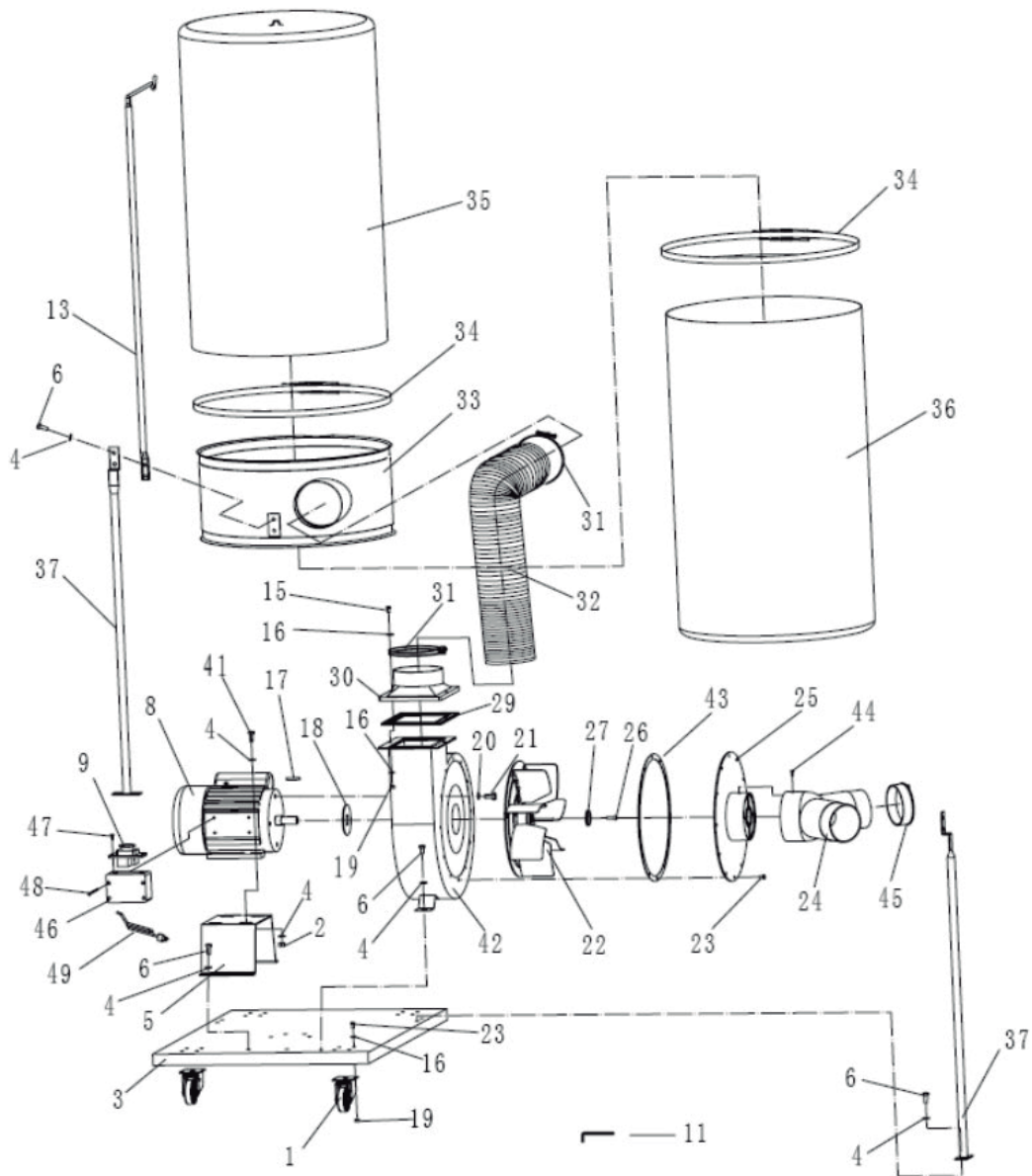
**Warning! Risk of injury! Before you start to clean the machine, control if the machine parts have cooled down! Switch off the device and wait for the ventilator to come to a halt.**

### 5.2 Maintenance work

- **Filter:** The cleanliness of the filter is an important motor power efficiency factor. Clean the filter every time the chip bag is changed, prior to the change, and at the very latest once the vacuum power efficiency drops noticeably. Rap all sides of the filter bag so the collected dust and chips fall down into the chip bag. To clean the dust extractor effectively, switch it off prior o the cleaning process. Once the filter can no longer be cleaned satisfactorily, replace it. Replace damaged filters immediately.
- **Chip bag:** Empty the collection bag at the very latest when the chips reach a level approximately 6 inches below the attachment edge. In the event of damage to the collection bag, the bag must be replaced immediately! The dust collector must always be switched off to change the chip bag.
- **Fan wheel:** lean resin residue and chips from the impeller on a weekly basis, at the latest when the vacuum power sinks or the impeller becomes imbalanced.
- **Dust collector:** Remove chips and dust from the dust collector on a weekly basis. Remove the filter and chip bags to gain access to the interior of the unit.
- **Motor and electrical equipment:** The motor and electrical equipment are maintenance free. Ensure that the motor can always cool sufficiently i.e., clean chips and dust from the cooling fins regularly.



6 Exploded View



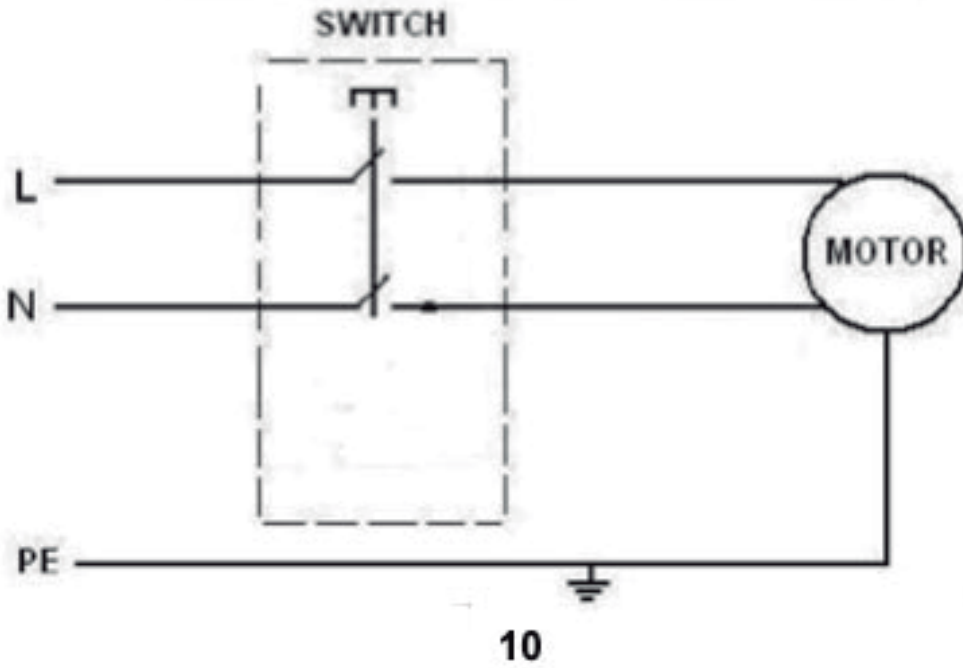
Item	Parts Name	Qty
1	CASTER	4
2	NUT	4
3	BASE PLATE	1
4	WASHER	26
5	MOTOR BASE	1
6	SCREW HEX	18
8	MOTOR	1
9	SWITCH	1
11	WRENCH HEX	1
13	UPPER BAG SUPPORT	1
15	SCREW HEX	6
16	WASHER	28
17	KEY	1
18	PACKING	1
19	NUT	22
20	WASHER	4
21	SCREW HEX	4
22	TURBO FAN	1
23	SCREW HEX	28
24	INLET	1
25	INLET COVER	1

Item	Parts Name	Qty
26	SCREW HEX	1
27	WASHER	1
29	PACKING	1
30	OUTLET	1
31	HOSE CLAMP	2
32	HOSE	1
33	COLLECTOR	1
34	BAG CLAMP	2
35	FILTER BAG	1
36	COLLECTOR BAG	1
37	COLLECTOR SUPPORT	3
41	SCREW HEX	4
42	FAN HOUSING	1
43	SEAL PAD (TURBO FAN)	1
44	SCREW HEX	1
45	INLET COVER	1
46	SWITCH BOX	1
47	SCREW HEX	2
48	SCREW HEX	4
49	CABLE	1

8 Wiring Diagram

WIRING DIAGRAM

2HP 1 PHASE 110/220V, MOTOR WIRED ON 220V 60HZ



## 7 Terms of Warranty

MAKSIWA assures the owner that their equipment, identified by the Serial number issued on the Warranty Terms.

The equipment under warranty, for two (2) years, is as followed:

1. The warranty period begins on the date of the Warranty Terms below.
2. Within the warranty period, the manual labor and the components replaced by manufacturing defect will be provided for free if duly proved by Maksiwa Service.
3. Third-party manufacturing equipment that makes up the MAKSIWA equipment (such as motors, electrical equipment, belts etc.) are subject to the terms and conditions of warranty of their respective manufacturers.
4. In case an exchange of machine is needed, please return the defective part or machine to MAKSIWA.
5. All workplace adaptations for the equipment are under the responsibility of the machine owner.
6. If you notice any defect or malfunction when receiving the equipment, get in touch immediately with the manufacturer or Dealer. Do not turn it on.
7. Not included in this warranty is any technical visits aimed at cleaning or adjustments caused by wear, resulting from normal use of the equipment.
8. The warranty does not cover problems caused by mistreatment, carelessness, misuse or inappropriate use of the functions designed for this equipment in this manual, as well as poorly executed operations by untrained operators to operate it.
9. MAKSIWA is not responsible for lost productivity, direct or indirect damages caused to the owner of the equipment or to third parties, or any other expense, including lost profits.
10. Even under warranty, you may lose its validity as follows:
  - a) Application of non-original components;
  - b) Alteration of its original features;
  - c) Lack of proper maintenance;
  - d) Improper use of the equipment;
  - e) Change in equipment or electronic connections;
  - f) Damage caused by mechanical shock or exposure to unsuitable conditions (humidity, salt spray, corrosive agents, etc.);
  - g) Damage caused by bad weather (floods, flooding, lightning, power outages etc.);
  - h) Maksiwa is not responsible for damages to electrical components cause by power variation in your area.

For your safety, trust the repairs, maintenance and adjustments (including inspection and replacement) for technical assistance recommended by MAKSIWA, always use genuine spare parts and accessories, reassembling to its original machine the same way.

MODEL:

SERIAL NUMBER:

DATE:

LOT NUMBER:

---

**Imported by:**

**Maksiwa International Inc.**

**4100 N Powerline Rd, Suite D3**

**Pompano Beach, Florida**

**ZIP Code: 33073**

**Telephone: +1 (754) 205-6717 | Call us free: +1 (844) 319-6594**

**E-mail: [tech@maksiwa.com](mailto:tech@maksiwa.com)**

**[www.maksiwa.com](http://www.maksiwa.com)**