



TC.3000

Panel Carrier

INSTRUCTION MANUAL



Attention: Read the instruction manual before using the appliance.

Instruction Manual

Important information you should know:

• The images in this manual are illustrative and are meant to demonstrate the correct operation of your product, there may be small changes in relation to the images.

Online Support: Visit our YouTube Channel to find several videos that will assist you with Maksiwa machines. Use the QRCode.



READ ALL INSTRUCTIONS

CAUTION:

If maintenance is required, replace only with identical parts. Also, repair or replace faulty wiring.

SAFETY INSTRUCTIONS FOR ALL EQUIPMENT

WARNINGS

- Keep a clean work surface. Cluttered areas and work surfaces invite accidents.
- Do not use the Panel Carrier in hazardous environments. Do not use the machine in damp or wet locations or areas that are exposed to rain. Keep in a well-lit work area.
- Keep children away from machines. Visitors should be kept at a safe distance from the work area.
- Make the workplace childproof making use of padlocks.
- Do not force tools. Tools should be used for the intended use only.
- Use appropriate equipment. Do not wear loose clothing, jewelry, or other accessories that could get caught in moving parts.
- It is recommended wearing shoes with non-slip soles. Use protection for the hair in order to hold them.
- Always wear safety glasses. Also use hearing protection.

- Do not overreach on the equipment. Maintain balance and feet in comfortable position at all times.
- Keep all tools in order. Keep tools sharp and clean for better and safer performance. Follow the instructions for lubricating and changing accessories.
- Check for damaged parts before continuing the use of Panel Carrier. Any part that is damaged should be examined carefully to determine its proper operation and perform its function properly. Check the alignment of moving parts, breakage of parts, mounting and any other condition that may affect its operation. Any part that is damaged should be repaired or replaced immediately.

CAUTION: Failure to heed these warnings may result in severe injury or damage to the machine.



ALWAYS USE PROPER PROTECTIVE EQUIPMENTS TO OPERATE THIS MACHINE.

- Always use safety glasses. Also use face or dust mask if cutting operation is dusty. Everyday eyeglasses only have impact resistant lenses, they are NOT safety glasses.
- Make sure that the knobs and screws are properly tightened and safe before starting any operation.

WARNING: Some dust created by the act of sanding, cutting, grinding, drilling and other construction-related activities contains chemicals that can cause cancer, birth defects or other reproductive harm. Some examples of these products are: Lead-based paint; crystal silica bricks, concrete and other masonry products; and arsenic and chromium from chemically treated wood.

Do not operate the machine unless the guards are in their proper places. Always use protective goggles.

Familiarization

Use the pictures and read the descriptions carefully to familiarize yourself with its components. The next section will deal with the necessary adjustments for the proper functioning of the machine. You should know these parts and where they belong.

Specifications

The TC.3000 Panel Carrier was made to facilitate the day-to-day tasks of the modern woodworker. Its durable structure and 4-wheels allow anyone to

easily carry up to 2 full sheets of wood at once. It has an adjustable height mechanism making it easy to work in conjunction with virtually any woodworking equipment you have, such as panel and table saws. With a carrying capacity of up to 254 pounds, this will help you increase productivity, reduce injuries from carry heavy loads, and it only requires one person to operate it.

Minimum table height: 33"
 Maximum table height: 37"
 Equipment dimension: 43" x 49" x 28"
 Maximum capacity: 254 Lbs
 Maximum panel size: 108" x 1" x 72"
 Weight: 70.5 Lbs

Transport and Installation

By ergonomic issues, this equipment must be carried by at least two people.

For packaging purposes, the machine is not fully assembled. If you notice any damage caused by transportation, while you open the package, notify your supplier immediately. Do not operate the machine.

Please dispose the packaging in an environmental friendly way.

- H - Left bar panel support;
- I - Right bar panel support;
- J - Support panel section set;
- K - Support height regulation;
- L - Structure cross reinforcement;
- M - Top reinforcement;
- N - Structure upper reinforcement.

ASSEMBLY

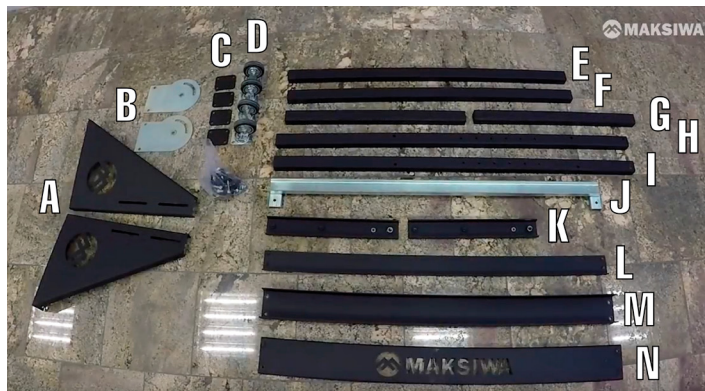
You will receive the pieces in 3 kits with their respective screws.



Kit 1:

- Left and right structures
- Crossbar rear structure
- Front structure
- Side structure crossbar assembly
- Base structure wheels
- Mobile rubber wheels 3"
- Screws, nuts, washers, and bolts

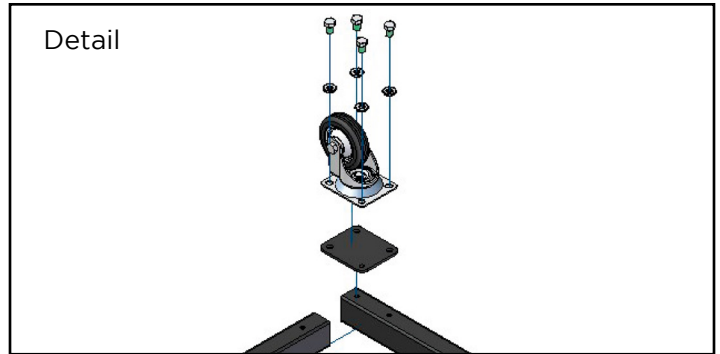
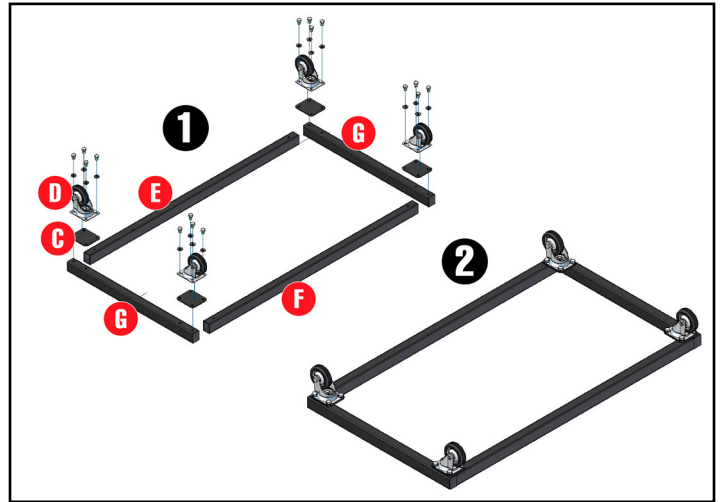
CONTENTS



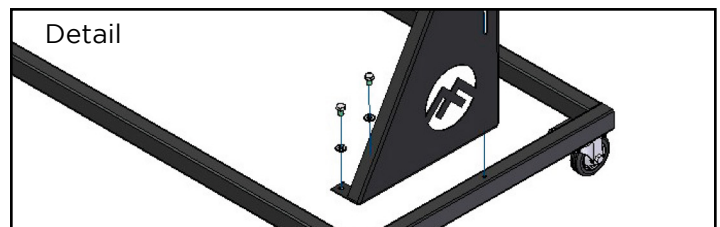
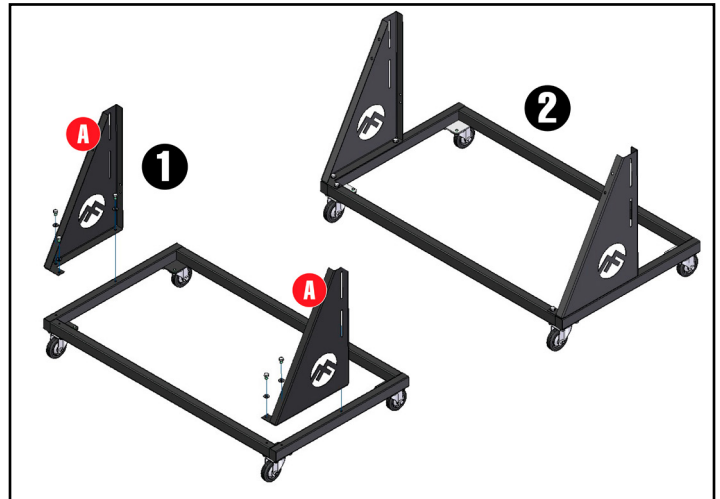
- A - Left and right structures;
- B - Support panel;
- C - Base structure wheels;
- D - Mobile rubber wheels 3";
- E - Crossbar rear structure;
- F - Front structure;
- G - Side structure crossbar assembly;

First, assemble the kit 1:

1) Mount the panel carrier base with the drive wheels. Take the structures and align them at the vertices of the base. After that, place the drive wheels and screw them.



2) Mount the left and right structures.



Kit 2:

- Support panel
- Support height regulation
- Structure upper reinforcement
- Structure cross reinforcement
- Screws, nuts, washers, and bolts



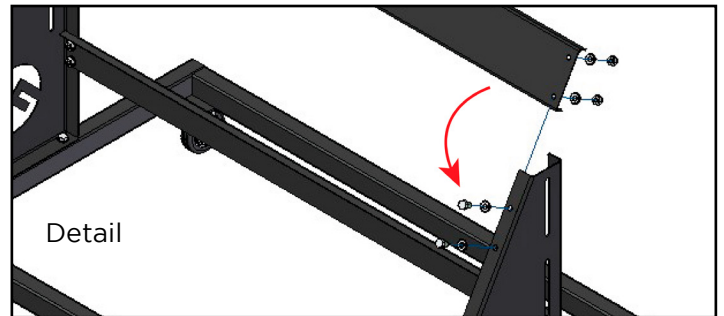
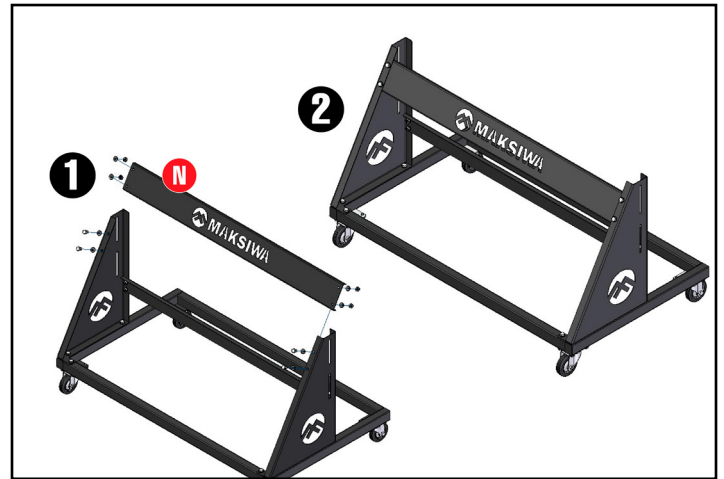
Kit 3:

- Left bar panel support
- Right bar panel support
- Top reinforcement
- Support panel section set
- Screws, nuts, washers, and bolts

Ready! Kit 1 is properly mounted.

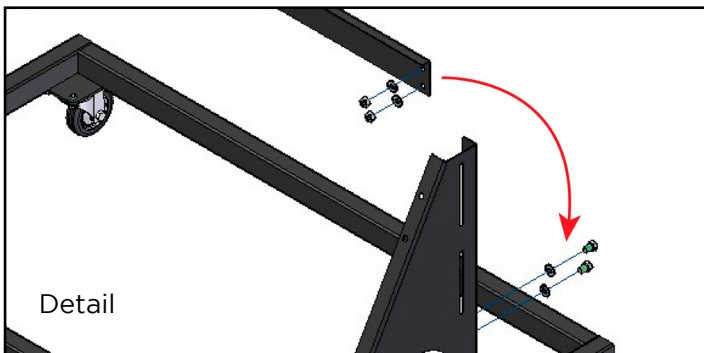
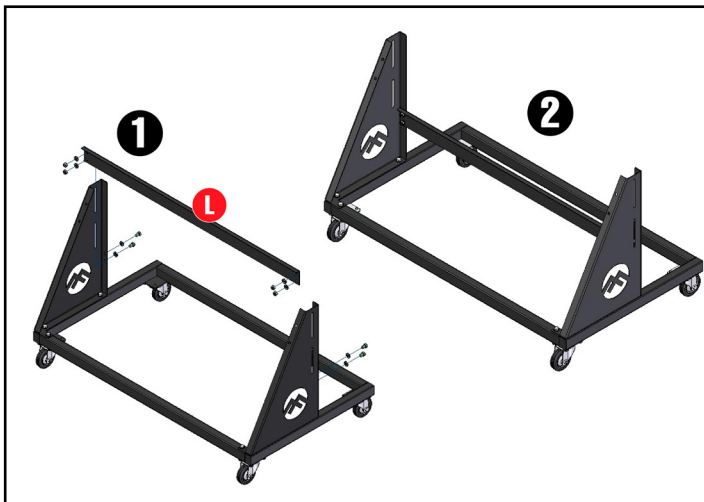


2) Mount the structure upper reinforcement.

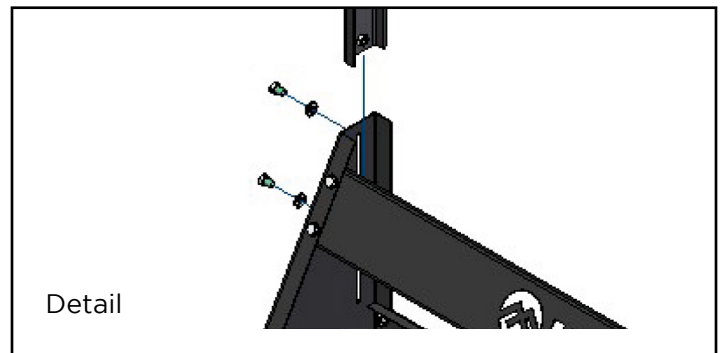
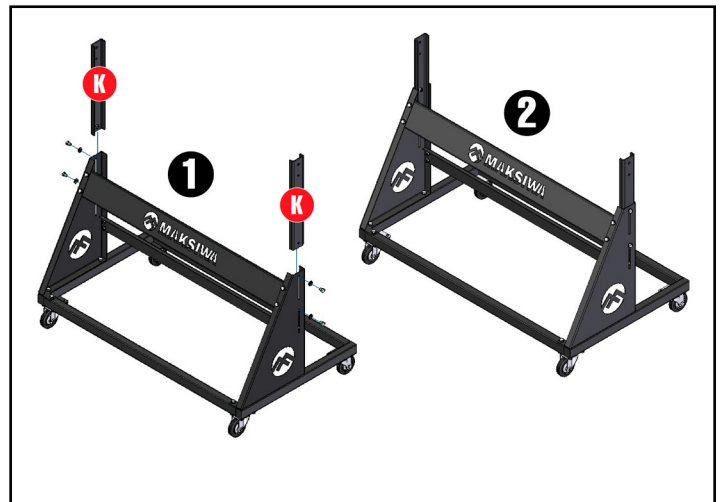


Now, assemble the pieces of Kit 2:

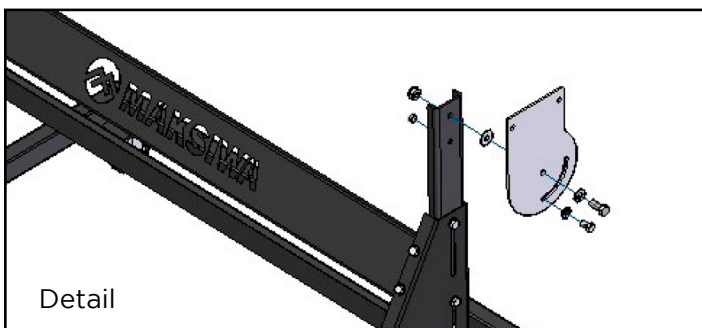
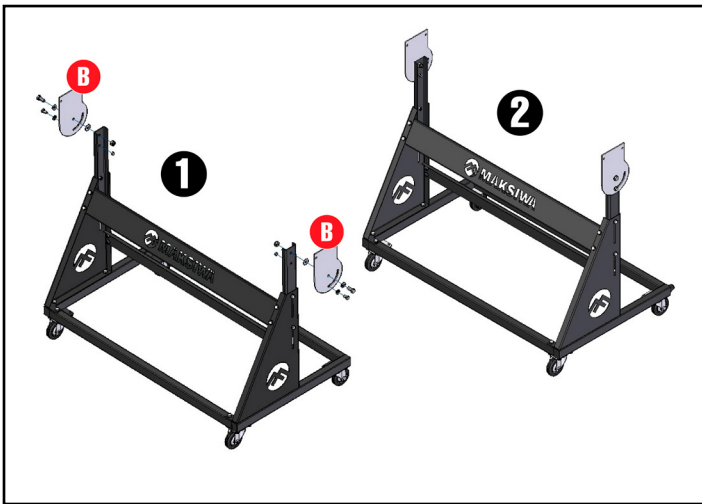
1) Mount the structure cross reinforcement.



3) Mount the side structure crossbar assembly.



4) Mount the support panel.

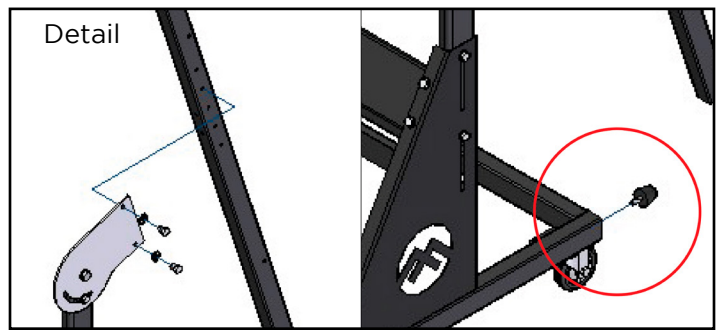
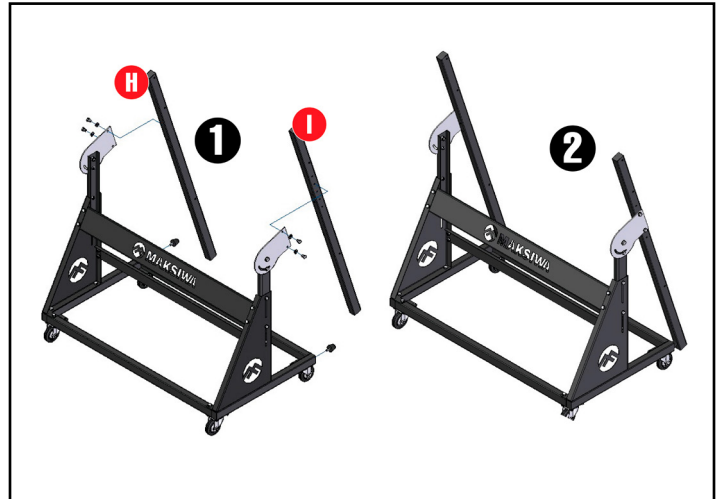


Ready! Kit 2 is properly assembled.

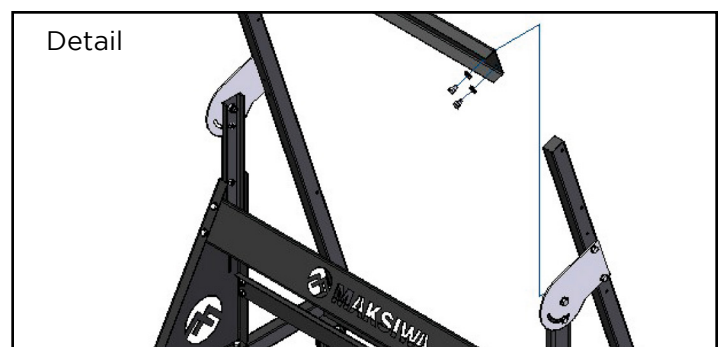
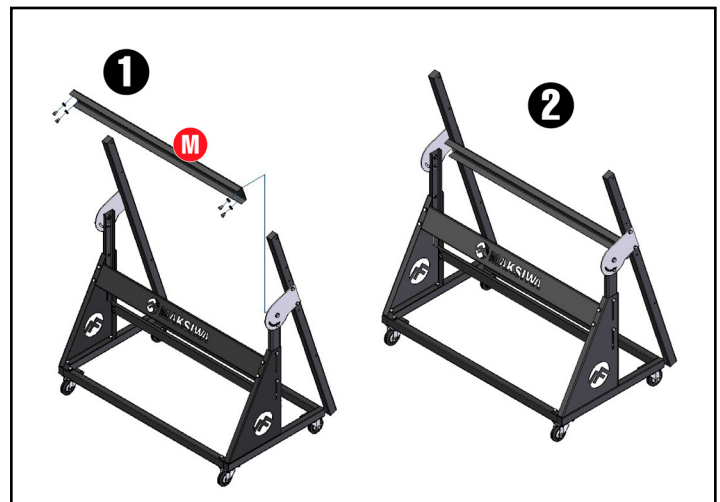


Finally, assemble Kit 3:

1) Mount the left and right bar panel support.

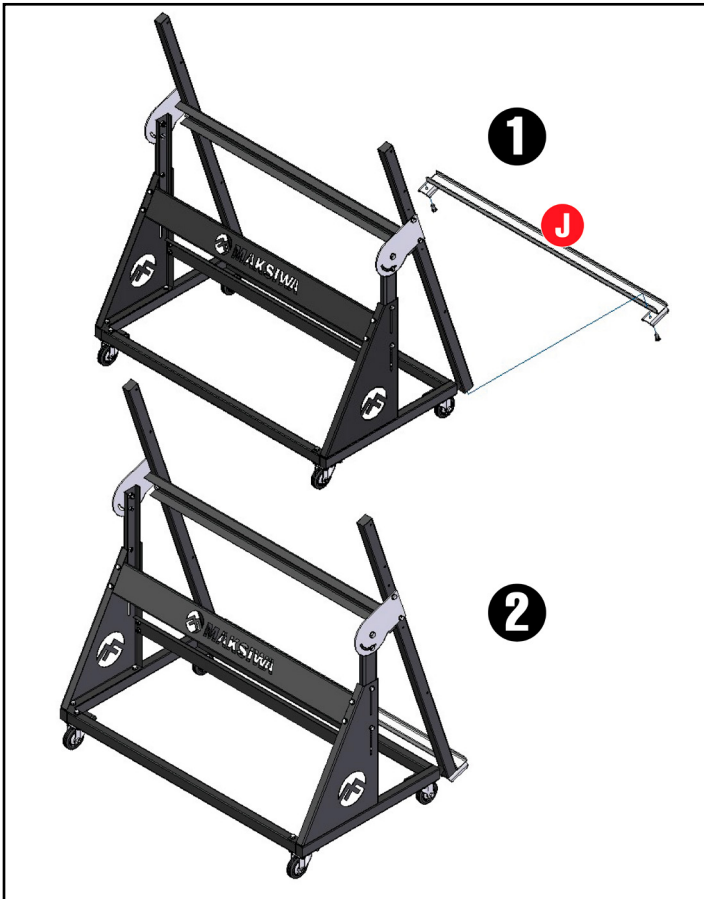


2) Mount the structure cross reinforcement.



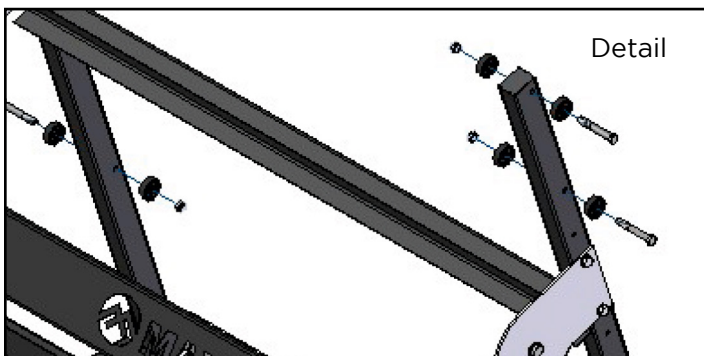
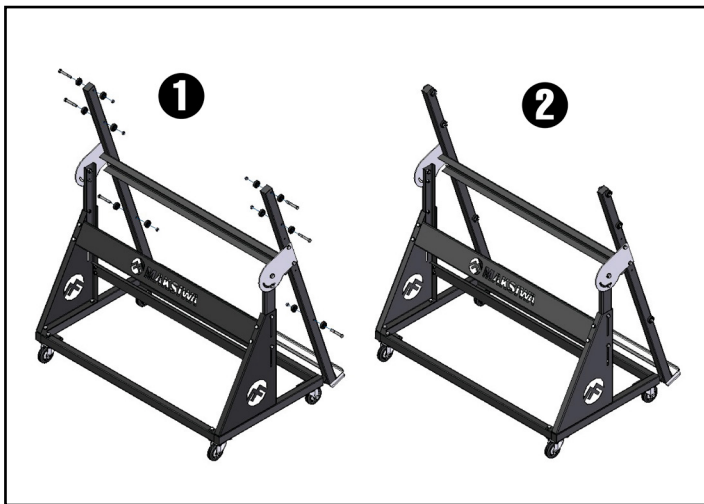
3) Mount the support panel section set.

Kit 3 is assembled.



4) Install all pulleys.

Ready! The TC.3000 Panel Carrier is subject to assembly. Before using, remember all safety and installation regulations.



WARRANTY TERMS

MAKSIWA assures the owner that their equipment, identified by the Serial number issued on the Warranty Terms.

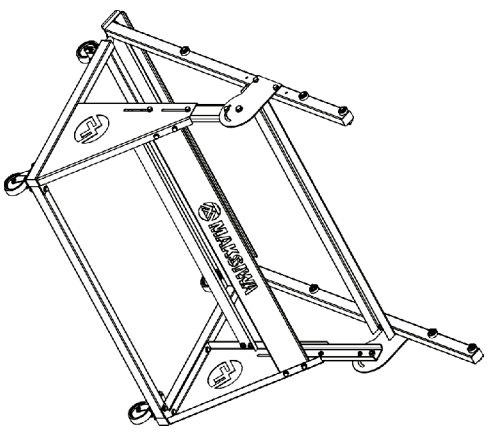
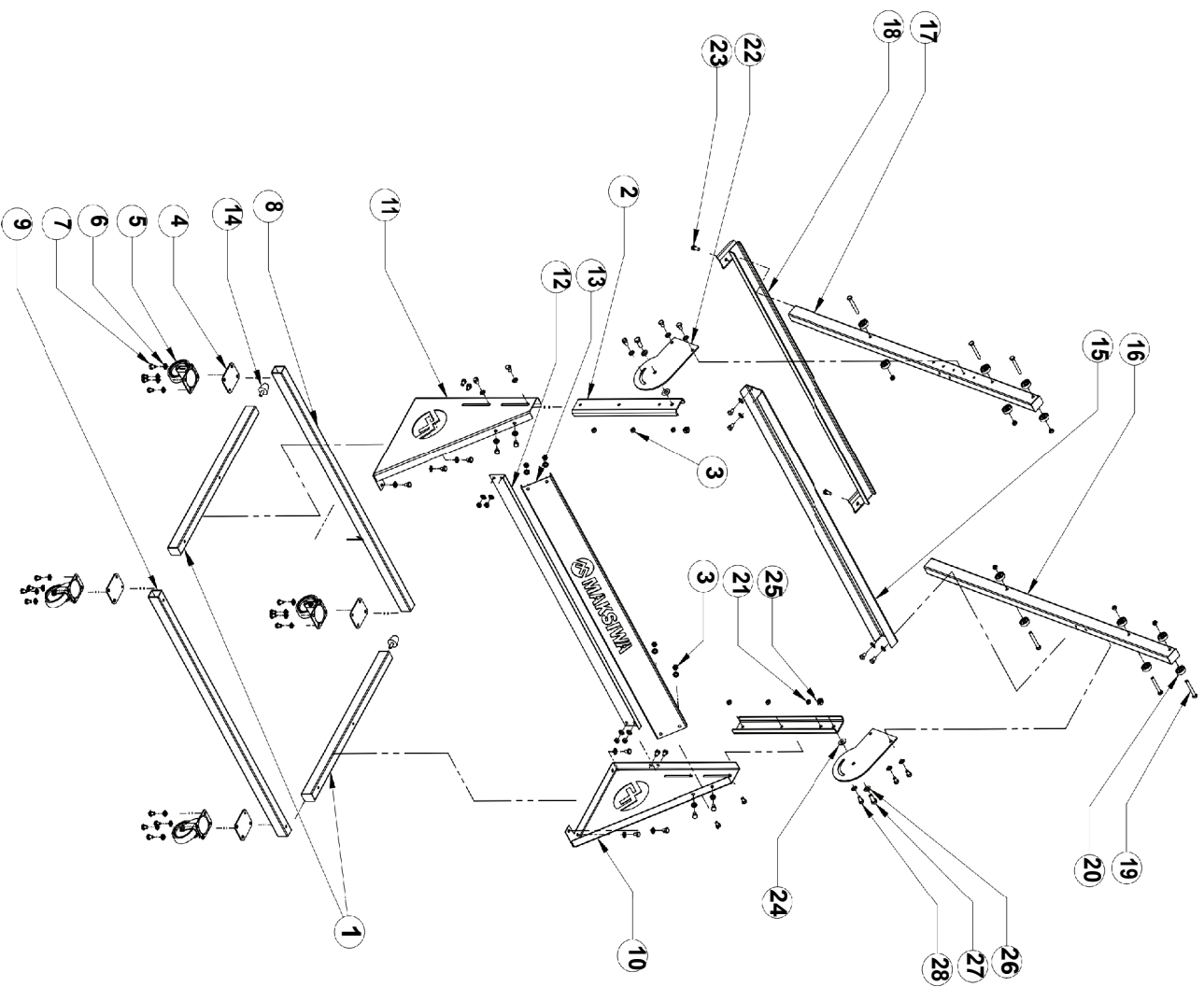
The equipment under warranty, for two (2) years, is as followed:

1. The warranty period begins on the date of the Warranty Terms below.
2. Within the warranty period, the manual labor and the components replaced by manufacturing defect will be provided for free as long as duly proved by Maksiwa Service.
3. Third-party manufacturing equipment that makes up the MAKSIWA equipment (such as motors, electrical equipment, belts etc.) are subject to the terms and conditions of warranty of their respective manufacturers.
4. In case an exchange of machine is needed, please return the defective part or machine to MAKSIWA.
5. All workplace adaptations for the equipment are under the responsibility of the machine owner.
6. If you notice any defect or malfunction when receiving the equipment, get in touch immediately with the manufacturer or Dealer. Do not turn it on.
7. Not included in this warranty is any technical visits aimed at cleaning or adjustments caused by wear, resulting from normal use of the equipment.
8. The warranty does not cover problems caused by mistreatment, carelessness, misuse or inappropriate use of the functions designed for this equipment in this manual, as well as poorly executed operations by untrained operators to operate it.
9. MAKSIWA is not responsible for lost productivity, direct or indirect damages caused to the owner of the equipment or to third parties, or any other expense, including lost profits.
10. Even under warranty, you may lose its validity as follows:
 - a) Application of non-original components;
 - b) Alteration of its original features;
 - c) Lack of proper maintenance;
 - d) Improper use of the equipment;
 - e) Change in equipment or electronic connections;
 - f) Damage caused by mechanical shock or exposure to unsuitable conditions (humidity, salt spray, corrosive agents, etc.);

g) Damage caused by bad weather (floods, flooding, lightning, power outages etc.).

For your safety, trust the repairs, maintenance and adjustments (including inspection and replacement) for technical assistance recommended by MAKSIWA, always use genuine spare parts and accessories, reassembling to its original machine the same way.

Maksiwa International Inc.
4100 N Powerline Rd, Suite D1
Pompano Beach - Florida - USA
ZIP CODE: 33073
www.maksiwa.com



28	HEX SCREW M8X1,6Z8	2
27	SCREW M10X2,5 Z8	2
26	FLAT WASHER M10 Z8	2
25	SCREW AUTO PILOT PARLOCK M10	2
24	FLAT WASHER 3/8 Z8	2
23	SCREW M8 X 20 Z8	2
22	SUPPORT PANEL	2
21	SCREW AUTO PILOT PARLOCK M8	8
20	PA 6.6 BLACK 8X9X30	12
19	SCREW M8 X 60 Z8	6
18	SUPPORT PANEL SECTION SET	1
17	LEFT BAR PANEL SUPPORT	1
16	RIGHT BAR PANEL SUPPORT	1
15	TOP REINFORCEMENT	1
14	FRONT SUSPENSION LOWER TRAY BRACKET	2
13	STRUCTURE UPPER REINFORCEMENT	1
12	STRUCTURE CROSS REINFORCEMENT	1
11	LEFT STRUCTURE	1
10	RIGHT STRUCTURE	1
9	FRONT STRUCTURE	1
8	CROSSBAR REAR STRUCTURE	1
7	HEX SCREW M8X1,2Z8	40
6	FLAT WASHER M8 Z8	52
5	MOBILE RUBBER WHEELS 3"	4
4	BASE STRUCTURE WHEELS	4
3	HEX SCREW M8 Z8	12
2	SUPPORT HEIGHT REGULATION	2
1	SIDE STRUCTURE CROSSBAR ASSEMBLY	2
№ REF.	NAME	QTY.

PANEL CARRIER